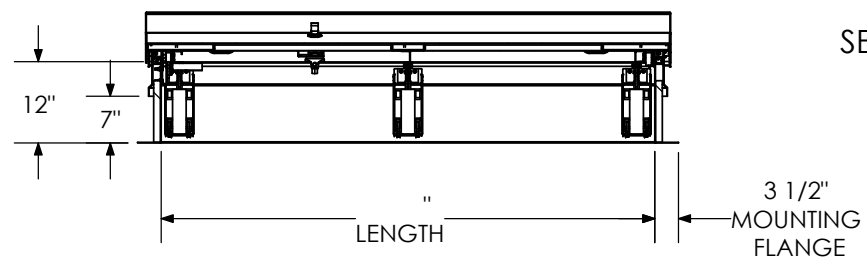


SECTION A-A



SECTION B-B

**SPECIFICATIONS:**

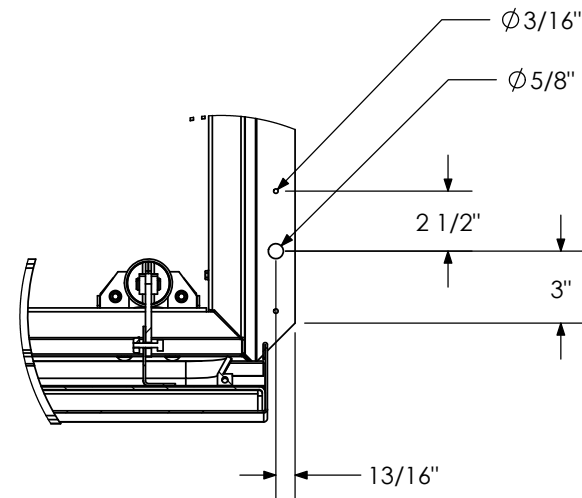
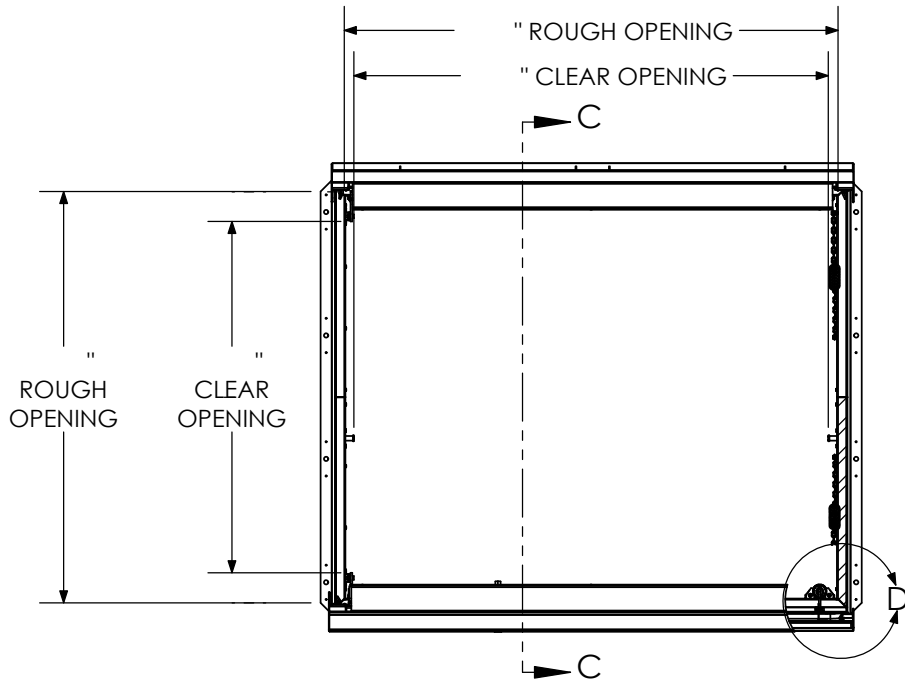
- ① **COVER:** 11 GA ALUM COVER STIFFENED TO WITHSTAND A LIVE LOAD OF 40PSF WITH A MAX DEFLECTION OF 1/150 OF THE SPAN
- ② **LINER:** 18 GA ALUM
- ③ **CURB AND COUNTERFLASH W/ EZ TAB:**  
11 GA ALUM
- ④ **FINISH:** MILL FINISH
- ⑤ **SPRING/HINGE ASSEMBLY:** ZINC PLATED STEEL TAMPER-PROOF HINGE CONTAINED WITHIN SPRING/HINGE ASSEMBLY. TELESCOPIC TUBES CONTAIN COIL STEEL COMPRESSION SPRINGS FOR LIFT ASSISTANCE
- ⑥ **HOLD OPEN ARM:** LOCKS COVER IN FULLY OPEN POSITION ZINC PLATED STEEL WITH RED VINYL GRIP HANDLE PULL RELEASE
- ⑦ **LATCH:** 2 POINT ROTARY LATCH LATCH HOLDS COVER CLOSED AGAINST 20PSF WIND UPLIFT. INTERNAL AND EXTERNAL TURN HANDLES WITH PADLOCK HASPS

- ⑧ **INSULATION:**  
1" POLYSTYRENE (R4) IN COVER, AND 1" POLYISO (R6) IN CURB
- ⑨ **GASKET:** ADHESIVE BACKED EPDM RUBBER EXTRUSION
- ⑩ WIDTH DIMENSION IS MEASURED HINGE TO HINGE  
LENGTH DIMENSION IS MEASURED HINGED SIDE

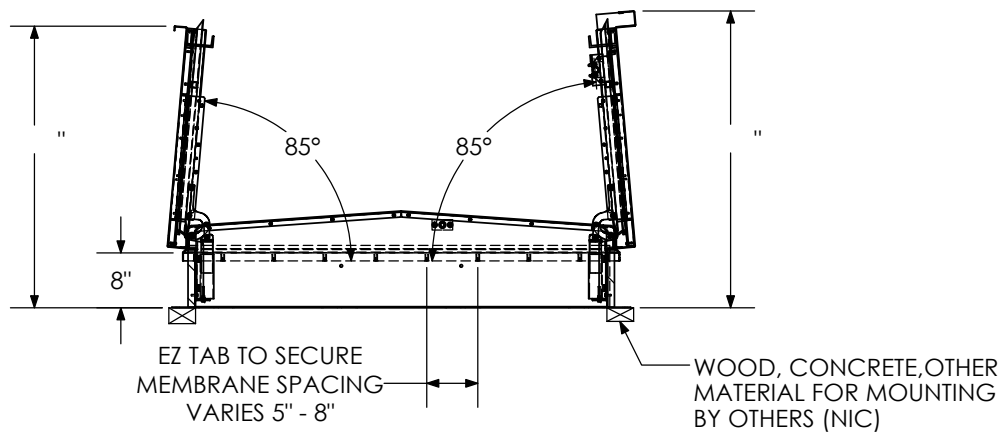
<b>ROOF HATCH SIZE</b>	" (WIDTH) x	" (LENGTH)
<b>CLEAR OPENING</b>	" (WIDTH) x	" (LENGTH)
<b>ROUGH OPENING</b>	" (WIDTH) x	" (LENGTH)

PROPRIETARY AND CONFIDENTIAL: THE INFORMATION CONTAINED IN THIS DRAWING IS THE SOLE PROPERTY OF NYSTROM. ANY REPRODUCTION IN PART OR AS A WHOLE WITHOUT THE WRITTEN PERMISSION OF NYSTROM IS PROHIBITED.

PROJECT:			
ARCHITECT:			
CONTRACTOR:			
QTY:			
PART#:			
		TITLE: Roof Hatch, Equipment Access, Dbl Dr, Zinc Hdw, Alum, Mill, Sngl Wall Curb,	
		9300 73rd Avenue North Minneapolis, MN 55428	
NAME	DATE	SIZE	DWG. NO.
ELW	9/14/12	A	
RELEASED	-	-	WEIGHT: VARIES



DETAIL D



SECTION C-C

			TITLE: Roof Hatch, Equipment Access, Dbl Dr, Zinc Hdw Alum, Mill, Sngl Wall Curb,		
9300 73rd Avenue North Minneapolis, MN 55428			DWG. NO. RHEA60X72D1T		REV A
DRAWN DWO	DATE 9/13/2012	SIZE A	WEIGHT: VARIES		SHEET 2 OF 2

PROPRIETARY AND CONFIDENTIAL: THE INFORMATION CONTAINED IN THIS DRAWING IS THE SOLE PROPERTY OF NYSTROM. ANY REPRODUCTION IN PART OR AS A WHOLE WITHOUT THE WRITTEN PERMISSION OF NYSTROM IS PROHIBITED.