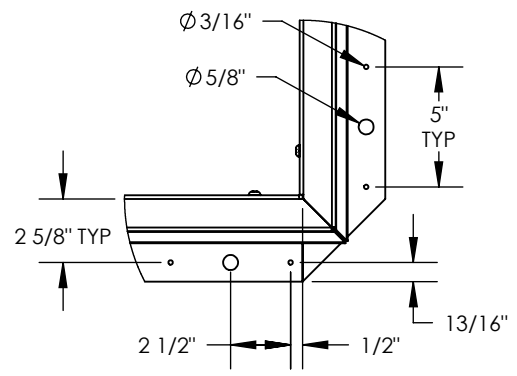
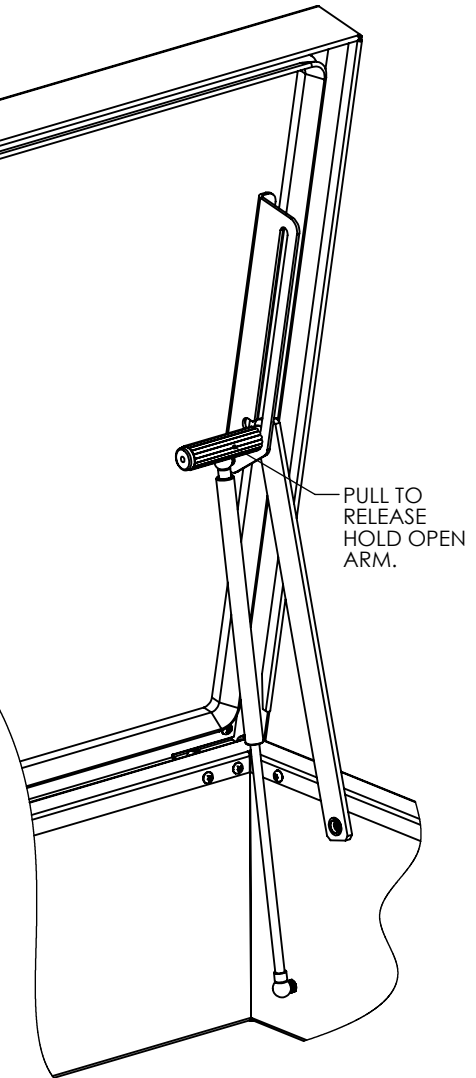
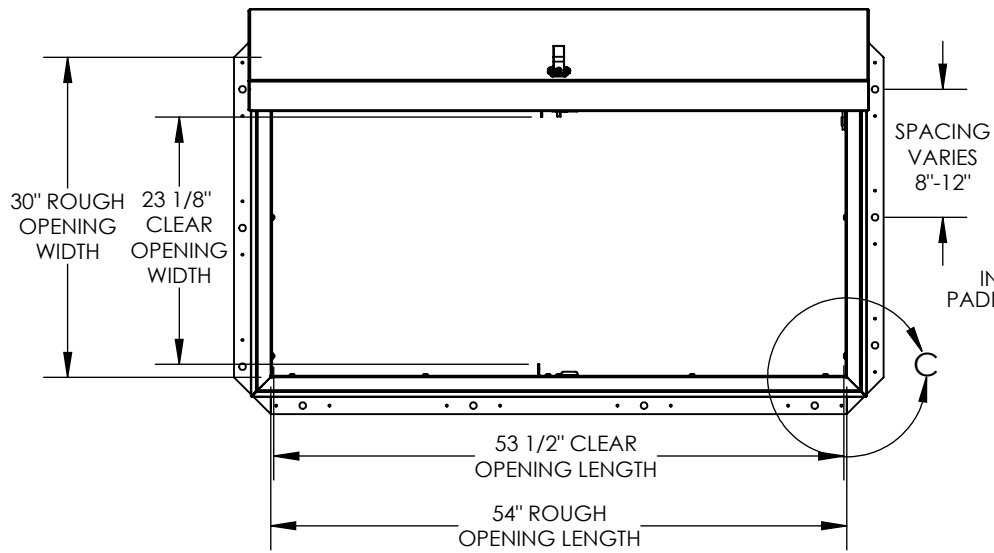
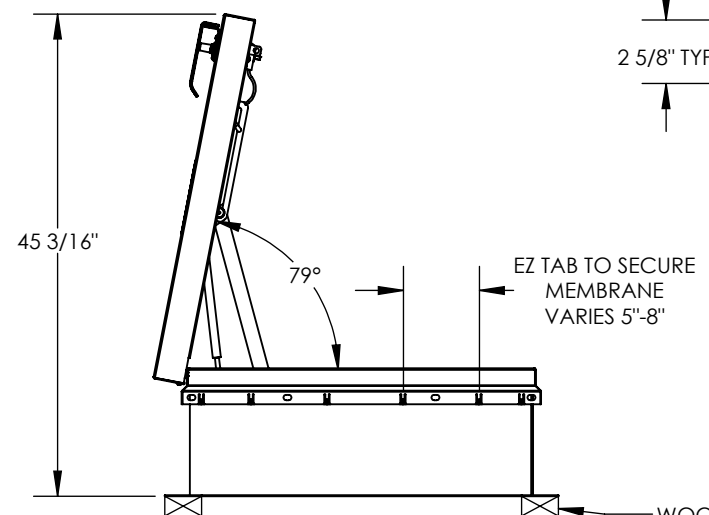


**MIAMI-DADE COUNTY**  
**APPROVED**



DETAIL C  
SCALE 1 : 8



WOOD, CONCRETE, OTHER MATERIAL FOR MOUNTING BY OTHERS (NIC)

9300 73rd Avenue North, Brooklyn Park, MN 55428			TITLE: Roof Hatch, Hurricane 30x54, Sngl Dr, Alum, Mill, Sngl Wall Curb		
NAME	DATE	SIZE	DWG. NO.	REV	
DRAWN SGS	04/01/15	A	RHHA30X54S1T	-	
RELEASED IMT	04/01/15	WEIGHT: 79.5 lbs	SHEET 2 OF 2		