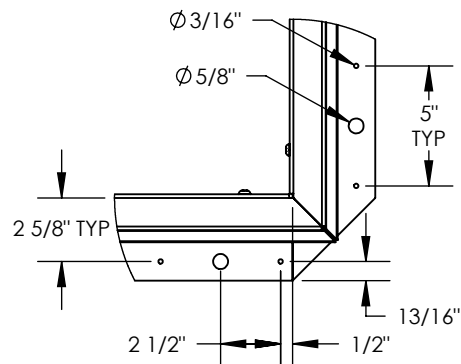
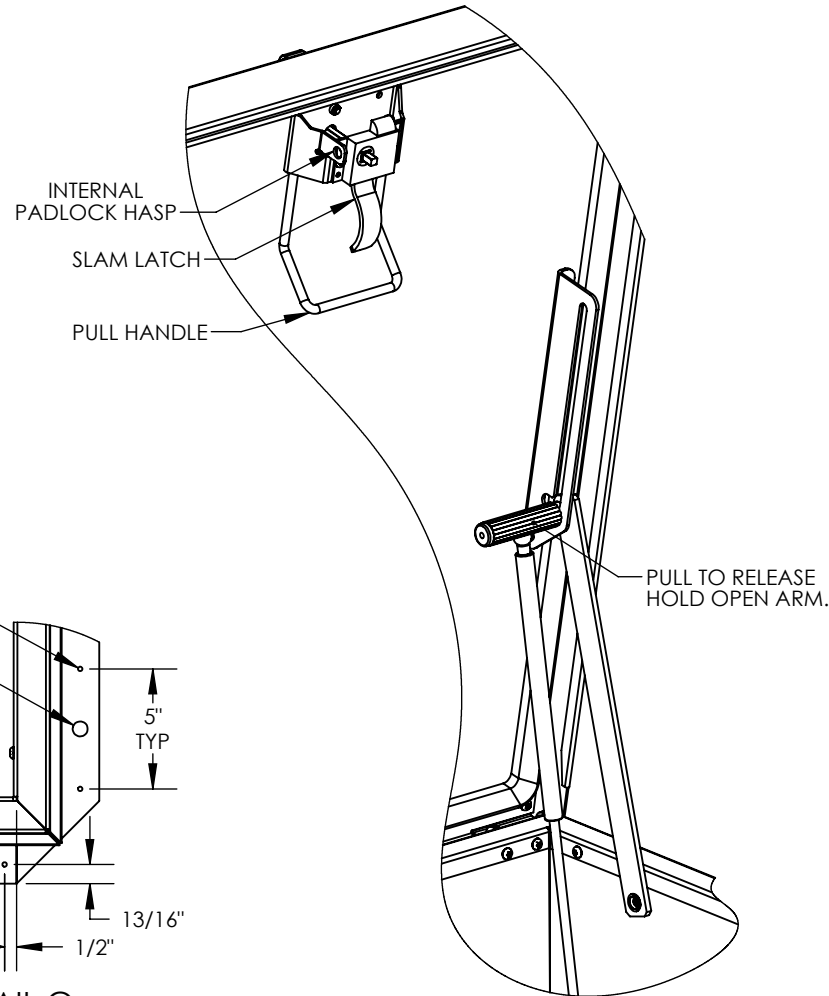
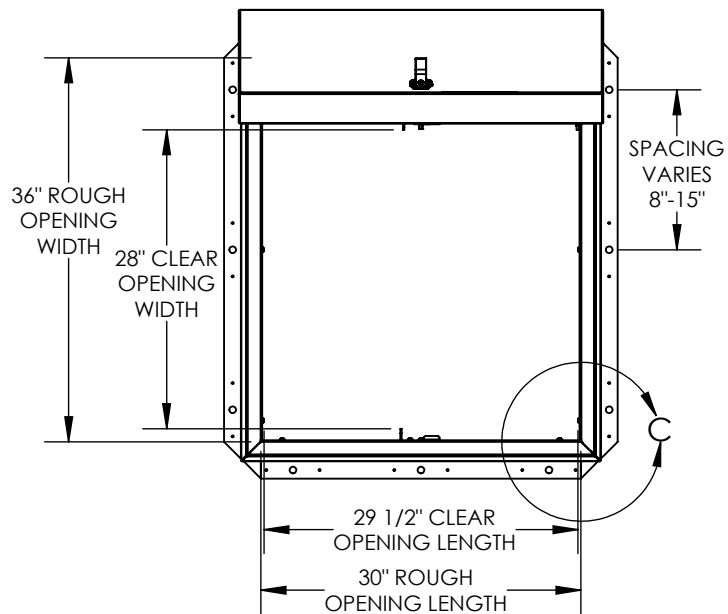
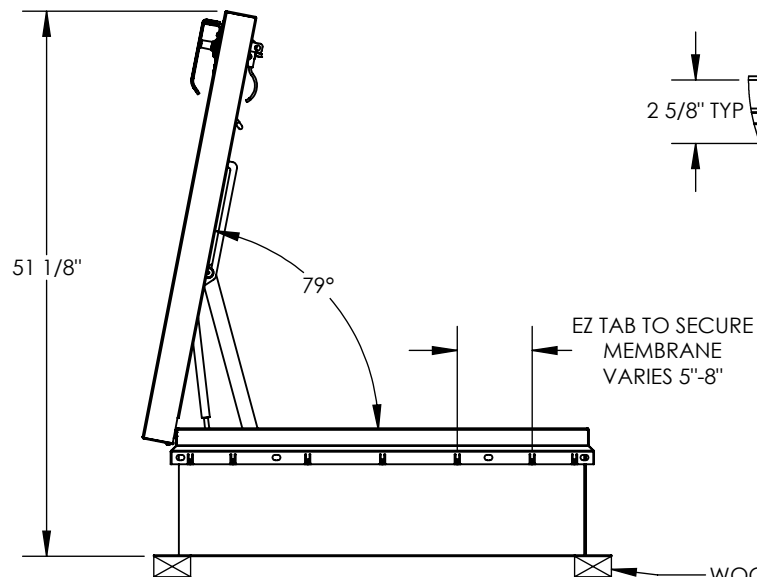


MIAMI-DADE COUNTY
APPROVED



DETAIL C
SCALE 1 : 8



WOOD, CONCRETE, OTHER MATERIAL FOR MOUNTING BY OTHERS (NIC)



9300 73rd Avenue North,
Minneapolis, MN 55428

TITLE:
Roof Hatch, Hurricane
36x30, Sngl Dr,
Alum, Mill, Sngl Wall Curb

	NAME	DATE	SIZE	DWG. NO.	REV
DRAWN	SGS	04/01/15	A		-
RELEASED	IMT	04/01/15		WEIGHT: 70.1 lbs	