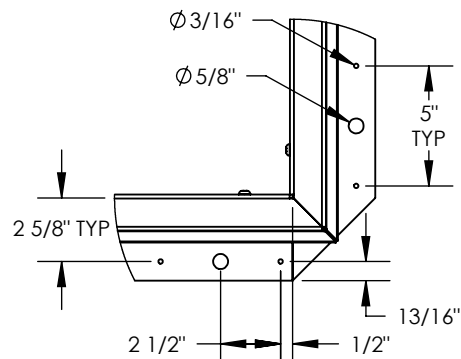
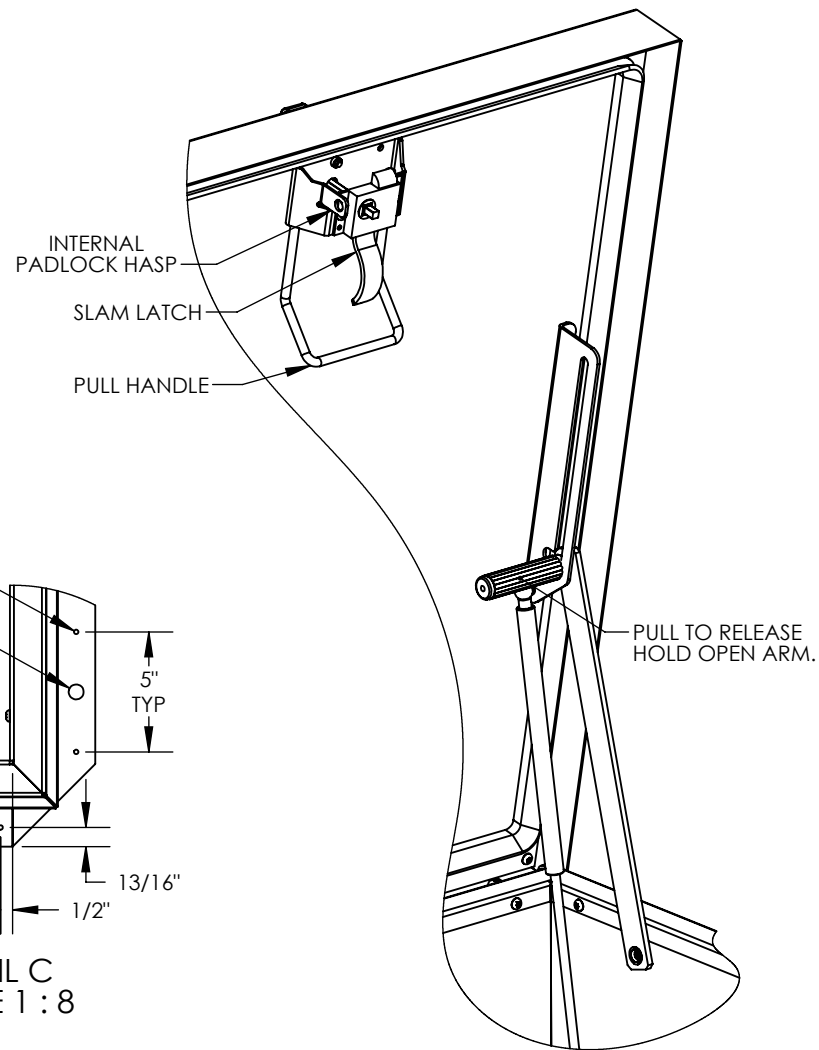
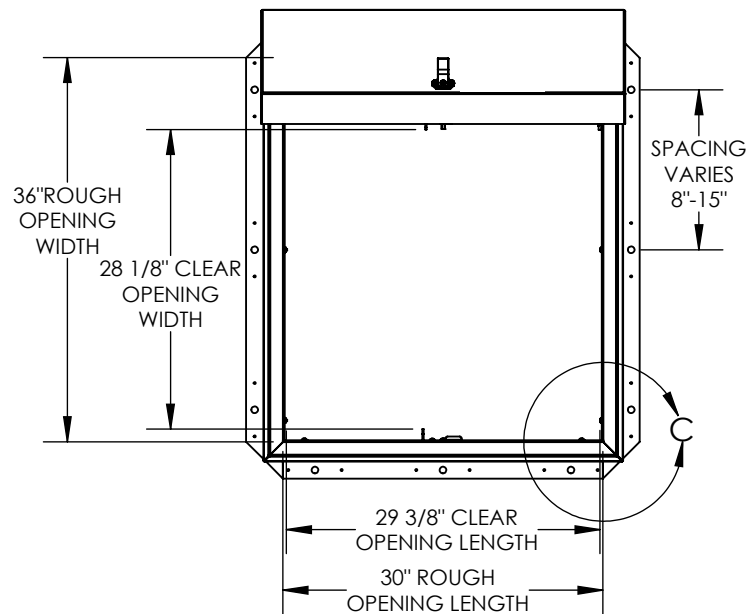
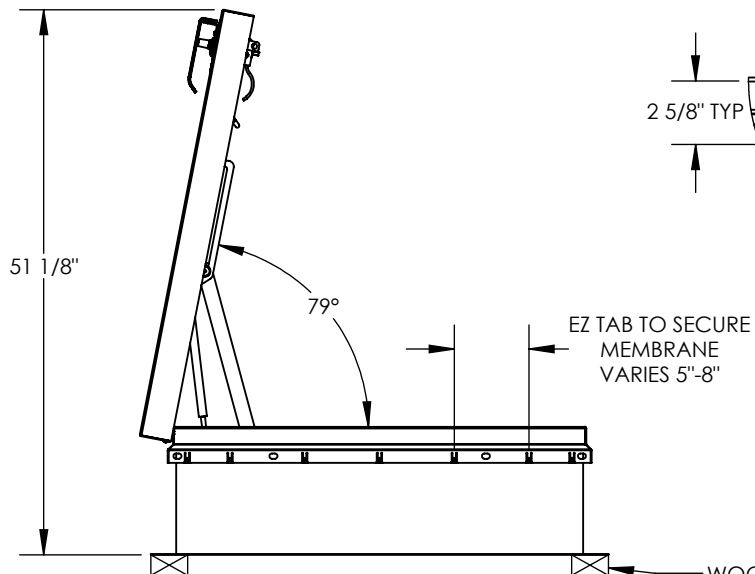


**MIAMI-DADE COUNTY**  
**APPROVED**



DETAIL C  
SCALE 1 : 8



WOOD, CONCRETE, OTHER MATERIAL FOR MOUNTING BY OTHERS (NIC)



9300 73rd Avenue North,  
Minneapolis, MN 55428

TITLE:  
Roof Hatch, Hurricane  
36x30, Sngl Dr,  
Galvn Steel, Pwd, Sngl Wall Curb

	NAME	DATE	SIZE	DWG. NO.	REV
DRAWN	SGS	04/01/15	A		-
RELEASED	IMT	04/01/15		WEIGHT: 153.4 lbs	SHEET 2 OF 2