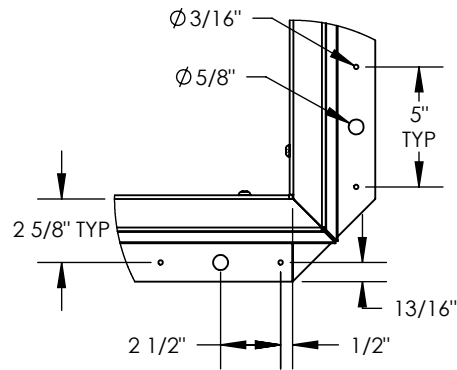


INTERNAL PADLOCK HASP

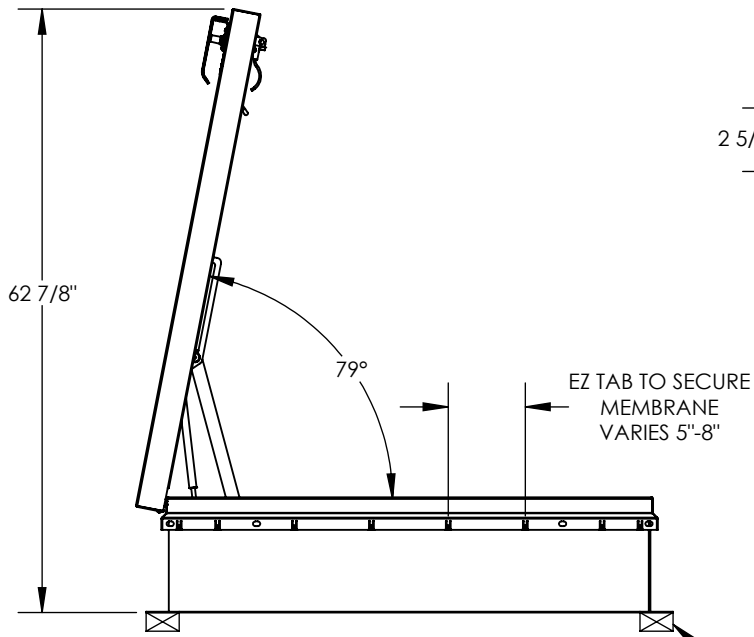
SLAM LATCH

PULL HANDLE



DETAIL C
SCALE 1 : 8

PULL TO RELEASE HOLD OPEN ARM.



WOOD, CONCRETE, OTHER MATERIAL FOR MOUNTING BY OTHERS (NIC)

			TITLE: Roof Hatch, Hurricane		
9300 73rd Avenue North, Minneapolis, MN 55428			48x48, Sngl Dr, Galv Steel, Gray Pwd, Sngl Wall Curb		
NAME	DATE	SIZE	DWG. NO.		
SGS	04/01/15	A	RHHG48X48S1T		
RELEASED	IMT	04/01/15	WEIGHT: 240.7 lbs	SHEET 2 OF 2	