

Safety Railing

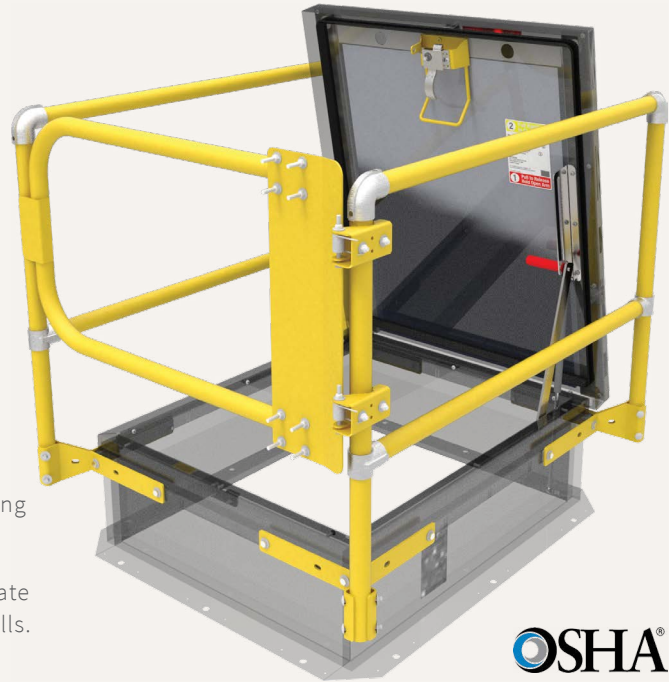
ROOF HATCH FALL PROTECTION

Nystrom's OSHA compliant Safety Railing is ideal for new and retrofit applications. The safety railing mounts to the existing roof hatch curb counterflash without penetrating the membrane or curb.

FEATURES

EASY FIELD INSTALLATION No field cutting required as rails are cut to exact size. Easy assembly fittings and quick mounting on counterflash using a patented nut backing plate.

SELF-CLOSING GATE Designed to automatically close, the gate is constructed with spring loaded hinges to protect against falls.



DETAILS

MATERIAL Rails and posts, aluminum, 1-1/4 inch ID (1.66 inch OD) Schedule 40 pipe

FINISH Safety Yellow Powder Coat standard

FITTINGS Cast aluminum alloy with set screw hold

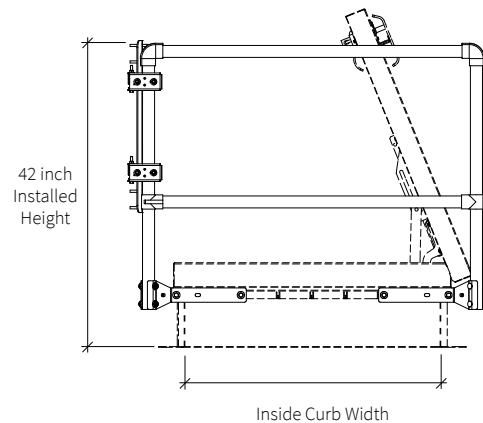
MOUNTING BRACKETS 3/16 inch steel, zinc plated with nut backing plate

HARDWARE Hex head bolts 3/8 - 16 by 3/4 inch zinc plated steel

EXIT Must be kept closed when roof hatch door is open

- Self-Closing Gate: Aluminum, 1-1/4 inch ID (1.66 inch OD) Schedule 40 pipe, self-closing with coil spring
- Chain: 3/16 inch zinc plated steel link chain with spring clip ends

COMPLIANCE OSHA 29 CFR 1910.29, 1910.28, 1910.23, 1926.502, and 1926.501



STANDARD MODELS

GATE CLOSURE		CHAIN CLOSURE	
YELLOW	YELLOW	SIZE (IN.)	ACCESS
SRCA30X54SG	SRCA30X54SC	30 x 54	Side
SRCA30X72SG	SRCA30X72SC	30 x 72	Side
SRCA36X30FG	SRCA36X30FC	36 x 30	Front
SRCA36X36SG	SRCA36X36FC	36 x 36	Front
SRCA30X96SG	SRCA30X96SC	30 x 96	Side
SRCA48X48FG	SRCA48X48FC	48 x 48	Front

Additional sizes available, call for more information.

THERMALMAX MODELS

GATE CLOSURE		
YELLOW	SIZE (IN.)	ACCESS
SRBAY30X54SG	30 x 54	Side
SRBAY36X30FG	36 x 30	Front
SRBAY36X36FG	36 x 36	Front
SRBAY30X96SG	30 x 96	Side
SRBAY48X48FG	48 x 48	Front