

Safety Post

The Safety Post is designed in compliance to OSHA to extend 42 inches above a landing platform to provide safe ladder access through a roof hatch. The spring assisted telescoping design mounts to the top two rungs of a fixed vertical ladder.

MATERIAL: 1-1/2" x 1-1/2" x 1/8" high strength square tubing with a pull up loop provided at the upper end to facilitate raising of post.

- Steel, yellow powder coat paint.
- Steel, hot dip galvanized
- Stainless Steel Type 304, mill finish
- Aluminum, Mill

BALANCING SPRING: Stainless steel constant force spring

HARDWARE: Type 316 stainless steel



SP

MATERIAL

MATERIAL & FINISH

Y STEEL, YELLOW POWDER COAT
G STEEL, HOT DIP GALVANIZED
A ALUMINUM, MILL
S STAINLESS STEEL, MILL

Safety Grab Bar

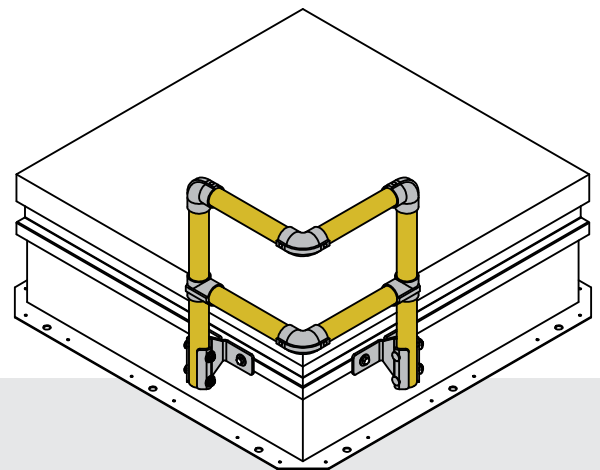
The Safety Grab Bar is engineered to provide safe access through roof hatches. The Grab Bar mounts to a corner section through the curb counterflashing.

MATERIAL: Rails and posts, galvanized steel, 1-1/4" ID (1.66") Schedule 40 pipe.

FITTINGS: Cast aluminum alloy with set screw hold.

MOUNTING BRACKETS: 3/16" steel, zinc plated with nut backing plate.

HARDWARE: Hex head bolts 3/8" - 16 x 3/4" zinc plated steel.



SGB

MATERIAL

MATERIAL & FINISH

Y STEEL, YELLOW POWDER COAT
G STEEL, HOT DIP GALVANIZED