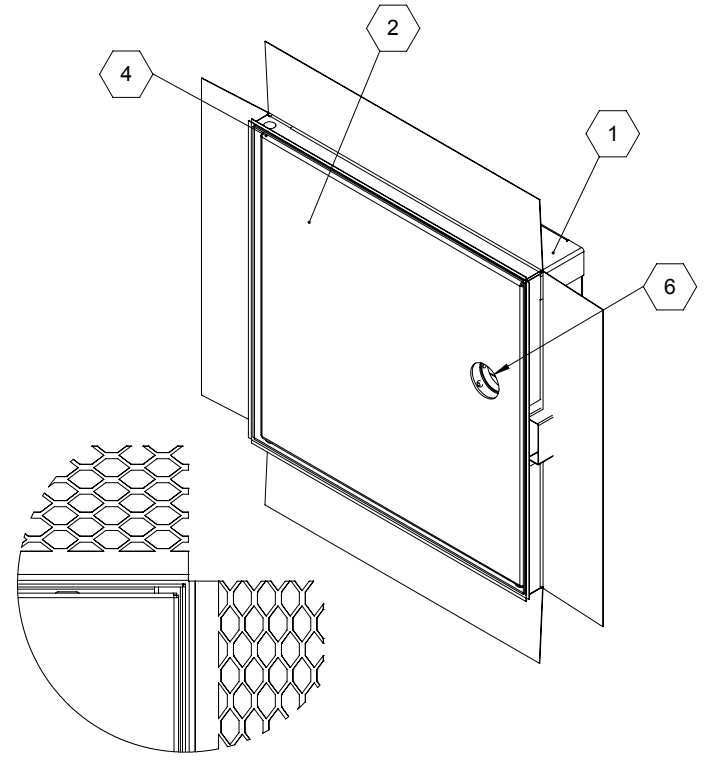
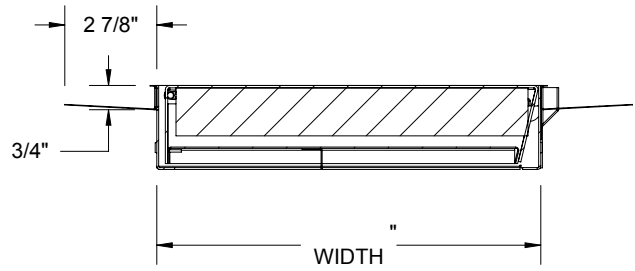


SECTION A-A



DETAIL D
PLASTER BEAD DETAIL
SCALE 1 : 4



SECTION B-B

ROUGH OPENING: " X " "
 CLEAR OPENING: " X " "
 DEGREE OF OPENING: ° " X " "

VERTICAL
1-1/2 HOUR "B" LABEL



NOTES:

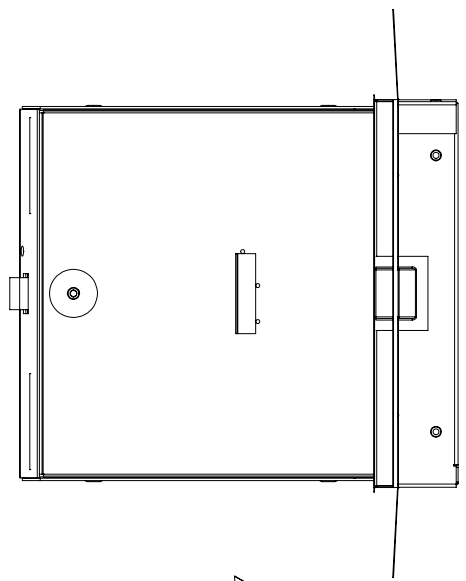
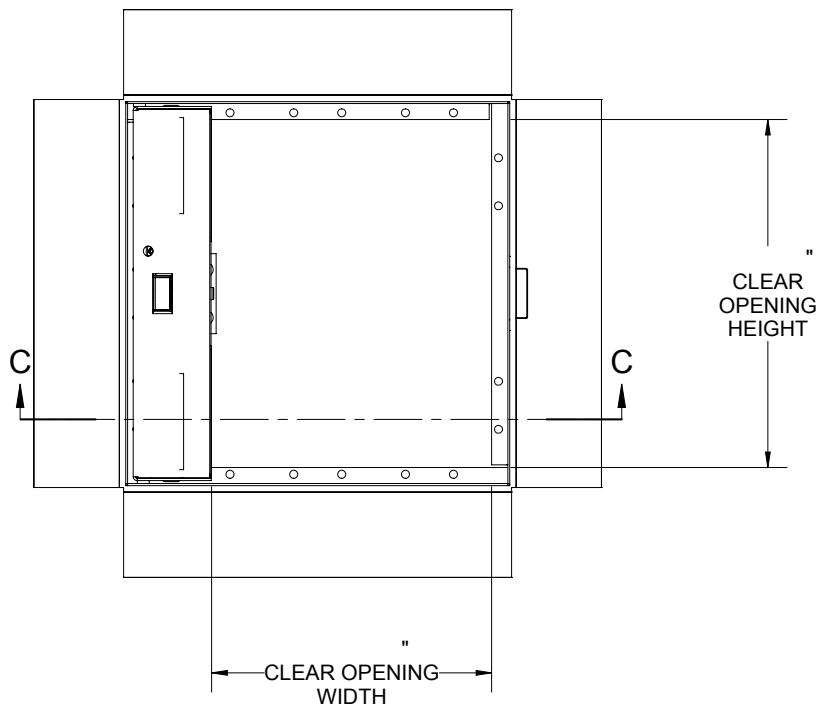
- ① **FRAME:**
- ② **DOOR:**
- ③ **FINISH:**
- ④ **HINGE:**
- ⑤ **SECONDARY LATCH:**
- ⑥ **LOCK:** Mortise Prep
- ⑦ **INSULATION:** 2" Thick Fire Rated Mineral Wool, 8 R-Value

PROJECT:				
ARCHITECT:				
CONTRACTOR:				
QTY:				
PART#:				
nystrom	TITLE:			
9300 73rd Avenue North, Minneapolis, MN 55428				
NAME	DATE	SIZE	DWG. NO.	REV
DRAWN		A		-
RELEASED				

PROPRIETARY AND CONFIDENTIAL: THE INFORMATION CONTAINED IN THIS DRAWING IS THE SOLE PROPERTY OF NYSTROM. ANY REPRODUCTION IN PART OR AS A WHOLE WITHOUT THE WRITTEN PERMISSION OF NYSTROM IS PROHIBITED.

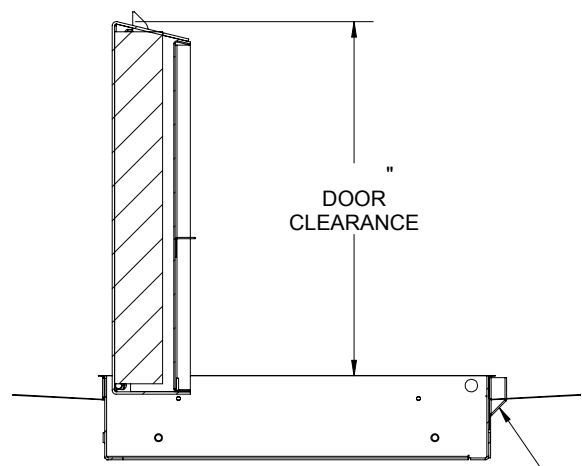
B

B



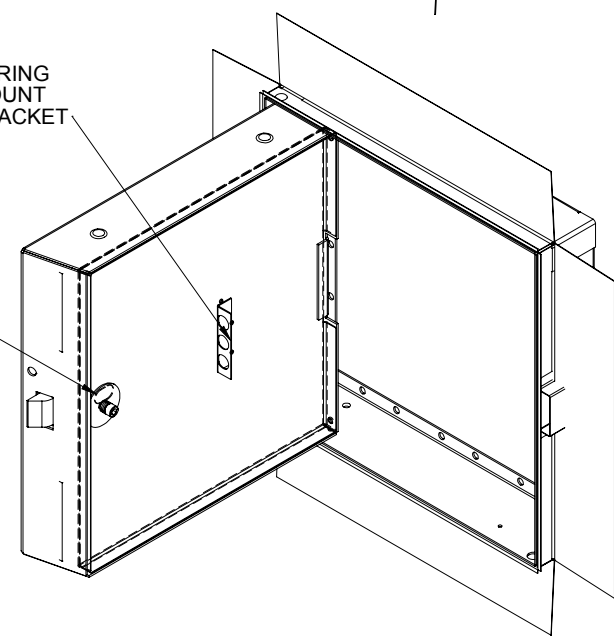
A

A



INTERIOR RELEASE MECHANISM

SPRING MOUNT BRACKET



LATCH BOLT COVER EXTENDS 1/2" BEYOND OUTSIDE EDGE OF FRAME

PART#:		TITLE:		
nystrom				
9300 73rd Avenue North, Minneapolis, MN 55428				
NAME	DATE	SIZE	DWG. NO.	REV
DRAWN		A		-
RELEASED				