

8

7

6

5

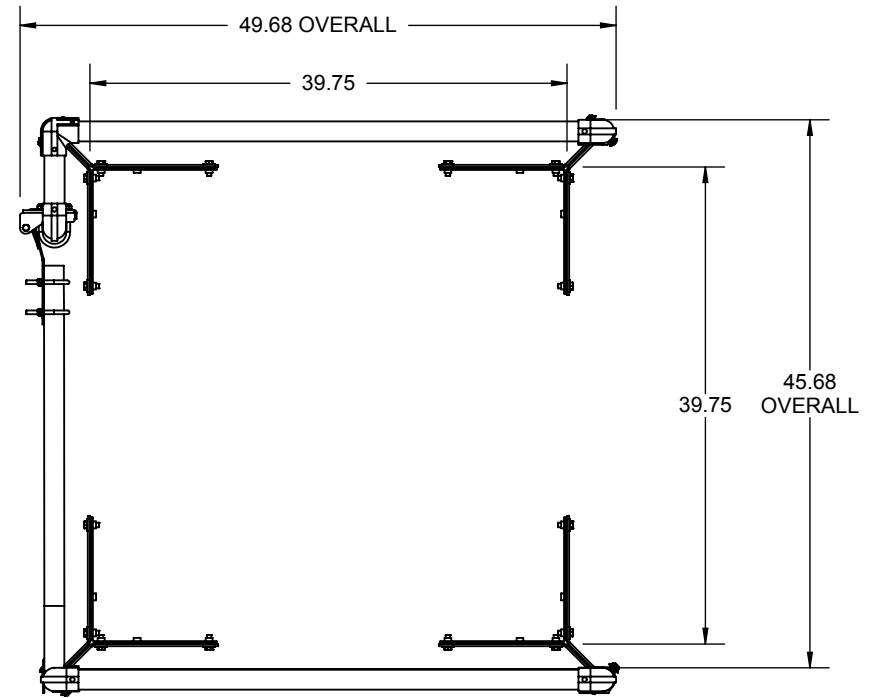
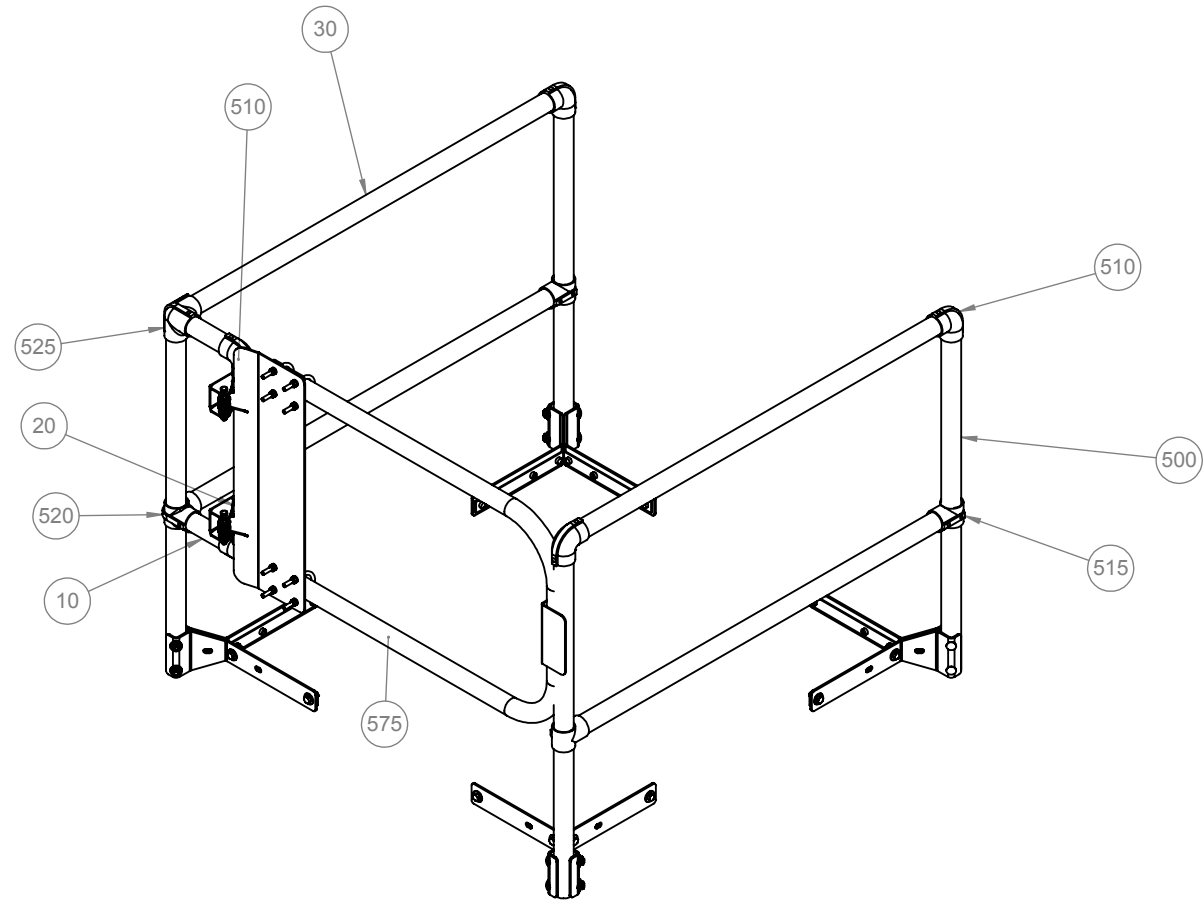
4

3

2

1

ITEM NO.	PART NUMBER	DESCRIPTION	QUANTITY
10	27496-6.00	RAIL, 1-1/4" X 6.00L,	2
20	27496-18.00	RAIL, 1-1/4" X 18.00L,	1
30	27496-43.75	RAIL, 1-1/4" X 43.75L,	4
500	27180-A	PKG, CORNER POST, ZPS,	4
510	27185	FTG, ELBOW,	5
515	27188	FTG, TEE,	3
520	27186	FTG, CROSS ELBOW,	1
525	27231	FTG, DBL TEE,	1
575	SRCA-GATE-30	GATE, 30,	1



SPECIFICATIONS

RAILS, POSTS: 6061 T6 ALUMINUM ALLOY 1 1/4" I.D. SCH 40

GATE: 1 1/4" TUBULAR ALUMINUM SELF CLOSING WITH COIL SPRING, ZINC PLATED

COUNTERFLASH MOUNTING BRACKETS: 3/16" ZINC PLATED STEEL FASTENED TO STEEL BACKING PLATE

BOLTS: HEX HEAD BOLTS 3/8"-16 x 3/4" GRADE 5 ZINC PLATED

RAILING FITTINGS AND PLUGS: MANUFACTURER'S STANDARD CAST WITH SET SCREW HOLD

FITS HATCH SIZES UP TO 36" X 36"

CERTIFICATIONS: MEETS OSHA 29 CFR 1910.23 GUARDING FOR OPENINGS REQUIREMENTS; SUPPORTS 200 LBS. FORCE

SRCA36X36FG

		TITLE:		Safety Railings for Roof Hatch 36X36, Front Exit, Alum, Mill, Gate	REV
		NAME	DATE		
DRAWN	SJB	TODAY	B SRCA36X36FG		A
RELEASED	DWO	4/10/2018	WEIGHT: Weight		SHEET 1 OF 1

8

7

6

5

4

3

2

1