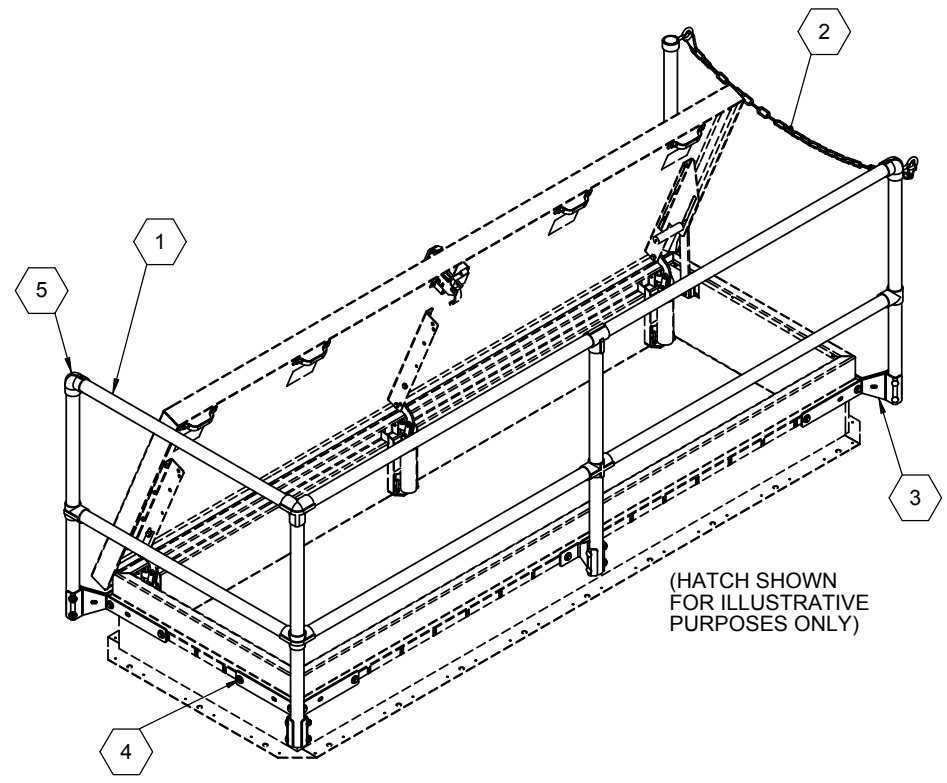
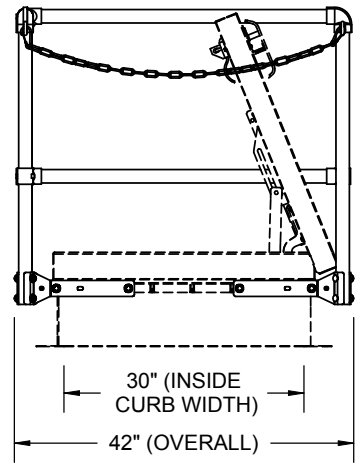
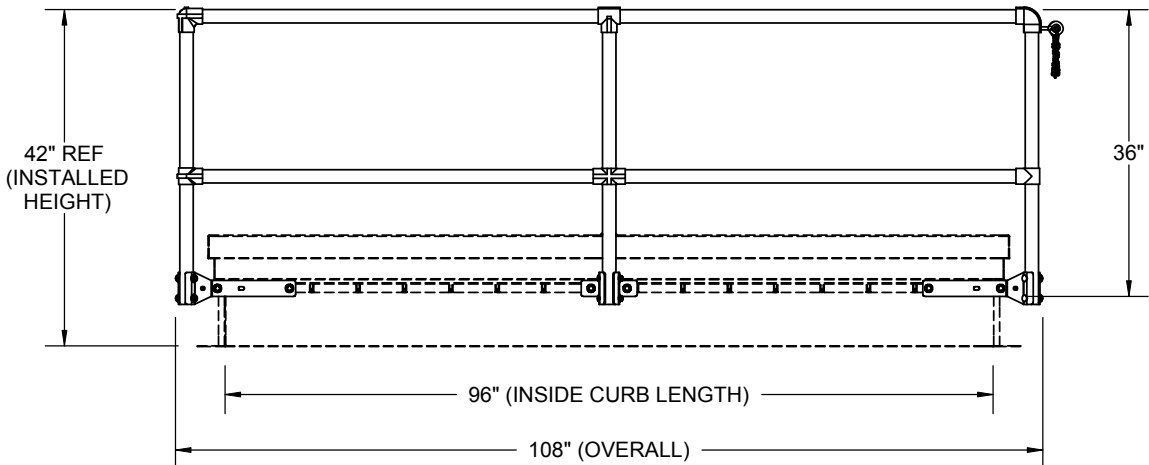
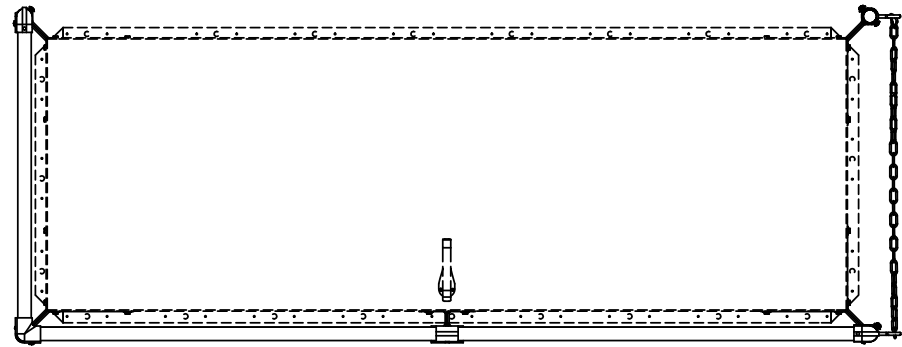


8 7 6 5 4 3 2 1



(HATCH SHOWN FOR ILLUSTRATIVE PURPOSES ONLY)

SPECIFICATIONS

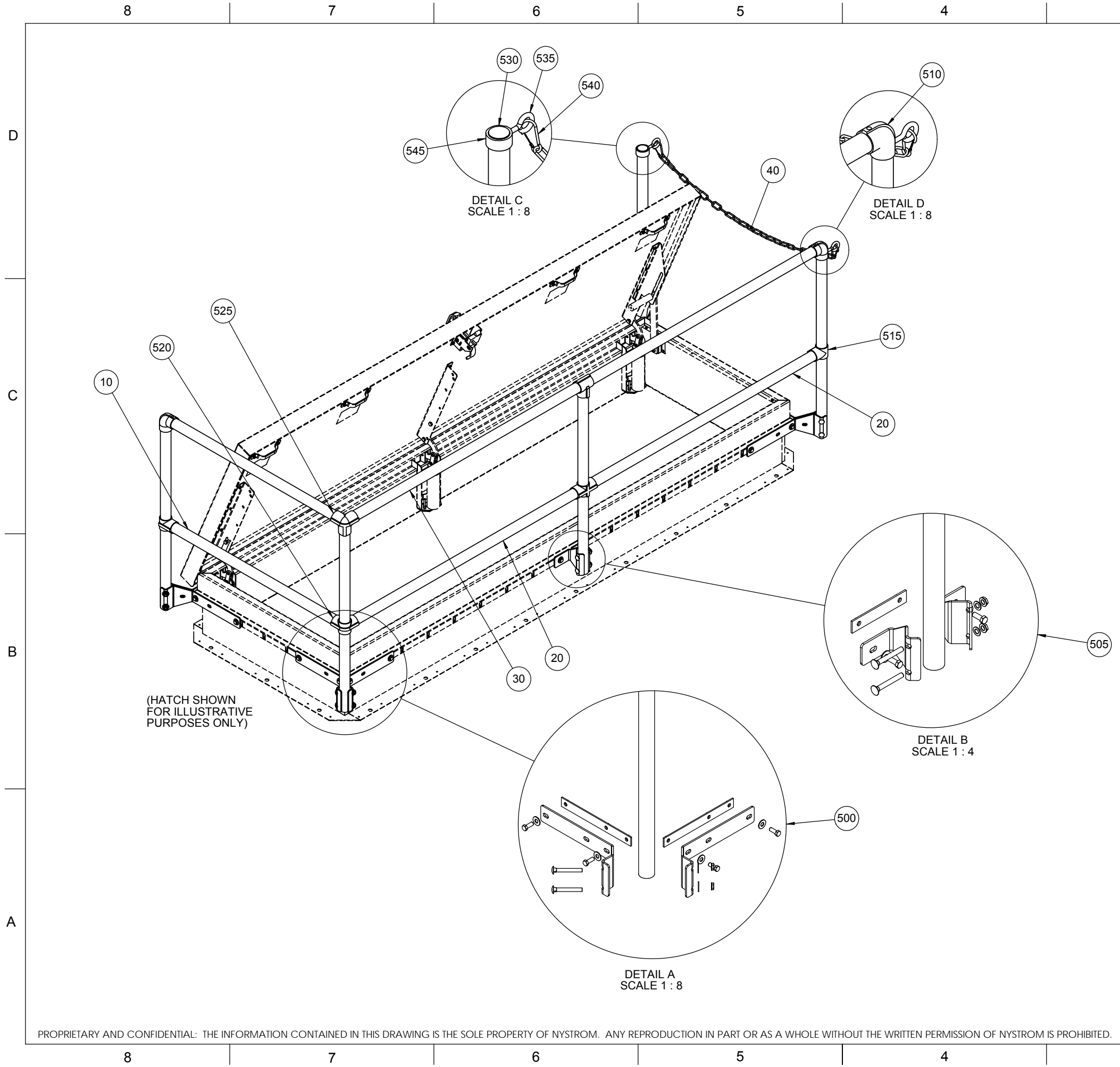
- 1 RAILS, POSTS: GALVANIZED PIPE 1 1/4" I.D. SCH 40 A53 GRADE B SEAMED STEEL
- 2 CHAIN: ZINC PLATED WITH SPRING CLIPS
- 3 COUNTERFLASH MOUNTING BRACKETS: 3/16" ZINC PLATED STEEL FASTENED TO STEEL BACKING PLATE
- 4 BOLTS: HEX HEAD BOLTS 3/8"-16 x 3/4" GRADE 5 ZINC PLATED
- 5 RAILING FITTINGS AND PLUGS: MANUFACTURER'S STANDARD CAST WITH SET SCREW HOLD

FITS HATCH SIZES UP TO 30" X 96", FOR SMALLER HATCH SIZES CUT RAILS TO LENGTH IN FIELD

CERTIFICATIONS: MEETS OSHA 29 CFR 1910.23 GUARDING FOR OPENINGS REQUIREMENTS; SUPPORTS 200 LBS. FORCE

		TITLE: Safety Railings for Roof Hatch 30X96, Side Exit, Sngl Door Steel, Galvanized, Chains		
		9300 73rd Avenue North Minneapolis, MN 55428	SIZE DWG. NO.	REV
DRAWN	NAME	DATE	B SRCG30X96SC	A
RELEASED	DKL	10/6/09		
WEIGHT: 742.74			SHEET 1 OF 2	

8 7 6 5 4 3 2 1



ITEM NO.	PART NUMBER	DESCRIPTION	QUANTITY
10	27258-37.75	RAIL, 1-1/4" X 37.75L,	2
20	27258-50.50	RAIL, 1-1/4" X 50.50L,	2
30	27258-51.75	RAIL, 1-1/4" X 51.75L,	2
40	1985-36.00	CHAIN, SAFETY, STL, ZPS	1
500	27180	PKG, CORNER POST, ZPS,	4
505	27259	PKG, SIDE POST, GALV,	1
510	27185	FTG, ELBOW,	2
515	27188	FTG, TEE,	2
520	27186	FTG, CROSS ELBOW,	1
525	27231	FTG, DBL TEE,	1
530	27189	FTG, END CAP	1
535	27260	BOLT, LIFTING EYE, 3/8-16,	2
540	27266	SPRING, CLIP 2, ZINC	2
545	27261	FTG, No. 78 SHORT COLLAR,	1

 9300 73rd Avenue North Minneapolis, MN 55428	TITLE: Safety Railings for Roof Hatch 30X96, Side Exit, Sngl Door Steel, Galvanized, Chains				
	NAME: DKL	DATE: 10/6/09	SIZE: B	DWG. NO.: SRCG30X96SC	REV: A
DRAWN	RELEASED	-	WEIGHT: 742.74	SHEET 2 OF 2	

PROPRIETARY AND CONFIDENTIAL: THE INFORMATION CONTAINED IN THIS DRAWING IS THE SOLE PROPERTY OF NYSTROM. ANY REPRODUCTION IN PART OR AS A WHOLE WITHOUT THE WRITTEN PERMISSION OF NYSTROM IS PROHIBITED.