

8

7

6

5

4

3

2

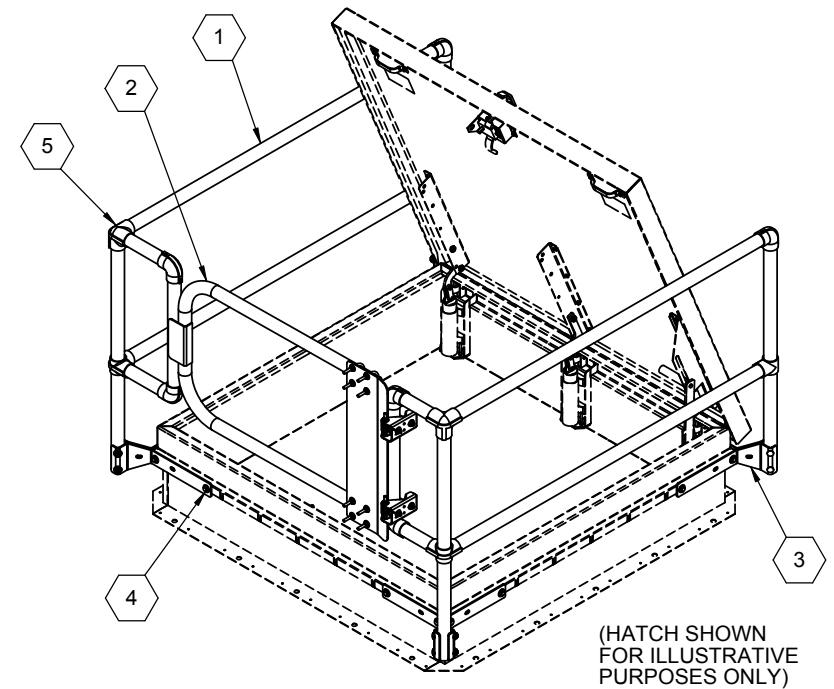
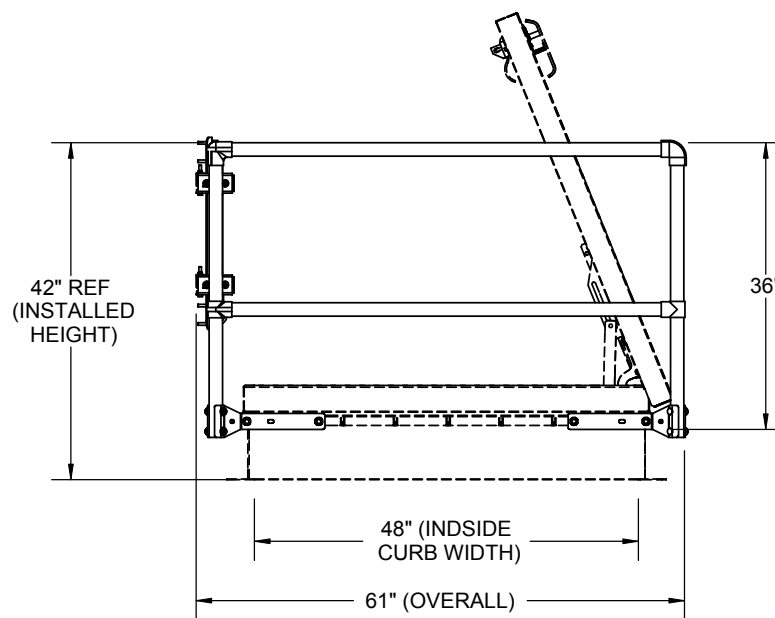
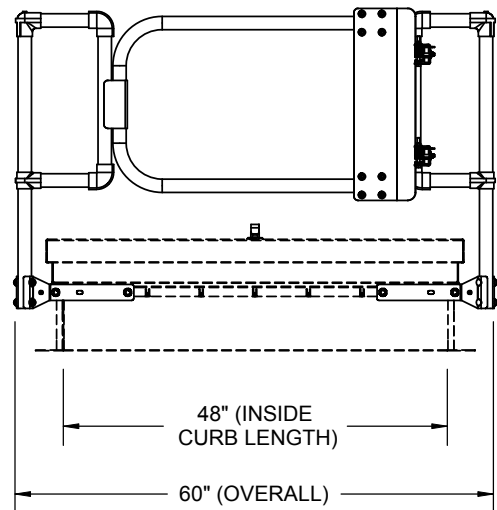
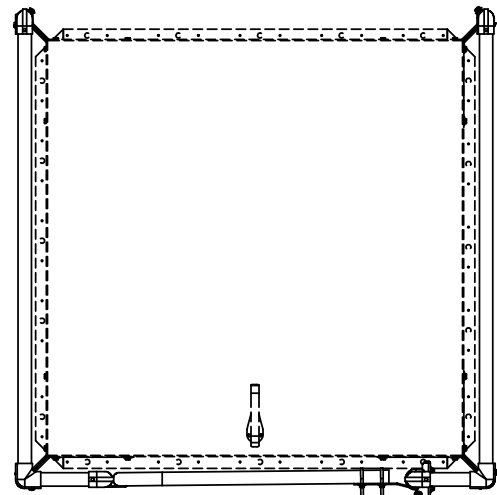
1

D

C

B

A



SPECIFICATIONS

- 1 RAILS, POSTS: GALVANIZED PIPE 1 1/4" I.D. SCH 40 A53 GRADE B SEAMED STEEL
- 2 GATE: GAVANIZED TUBULAR SELF CLOSING WITH COIL SPRING, ZINC PLATED
- 3 COUNTERFLASH MOUNTING BRACKETS: 3/16" ZINC PLATED STEEL FASTENED TO STEEL BACKING PLATE
- 4 BOLTS: HEX HEAD BOLTS 3/8"-16 x 3/4" GRADE 5 ZINC PLATED
- 5 RAILING FITTINGS AND PLUGS: MANUFACTURER'S STANDARD CAST WITH SET SCREW HOLD

FITS HATCH SIZES UP TO 48" X 48"

CERTIFICATIONS: MEETS OSHA 29 CFR 1910.23 GUARDING FOR OPENINGS REQUIREMENTS; SUPPORTS 200 LBS. FORCE

 <small>9300 73rd Avenue North Minneapolis, MN 55428</small>		TITLE: Safety Railings for Roof Hatch 48x48, Front Exit, Steel, Galvanized, Self Closing Gate		
		NAME	DATE	REV
DRAWN	DKL	10/09/09	SIZE DWG. NO. B SRCG48X48FG	A
RELEASED	-	-	WEIGHT: 633.08	SHEET 1 OF 2

8

7

6

5

4

3

2

1

8

7

6

5

4

3

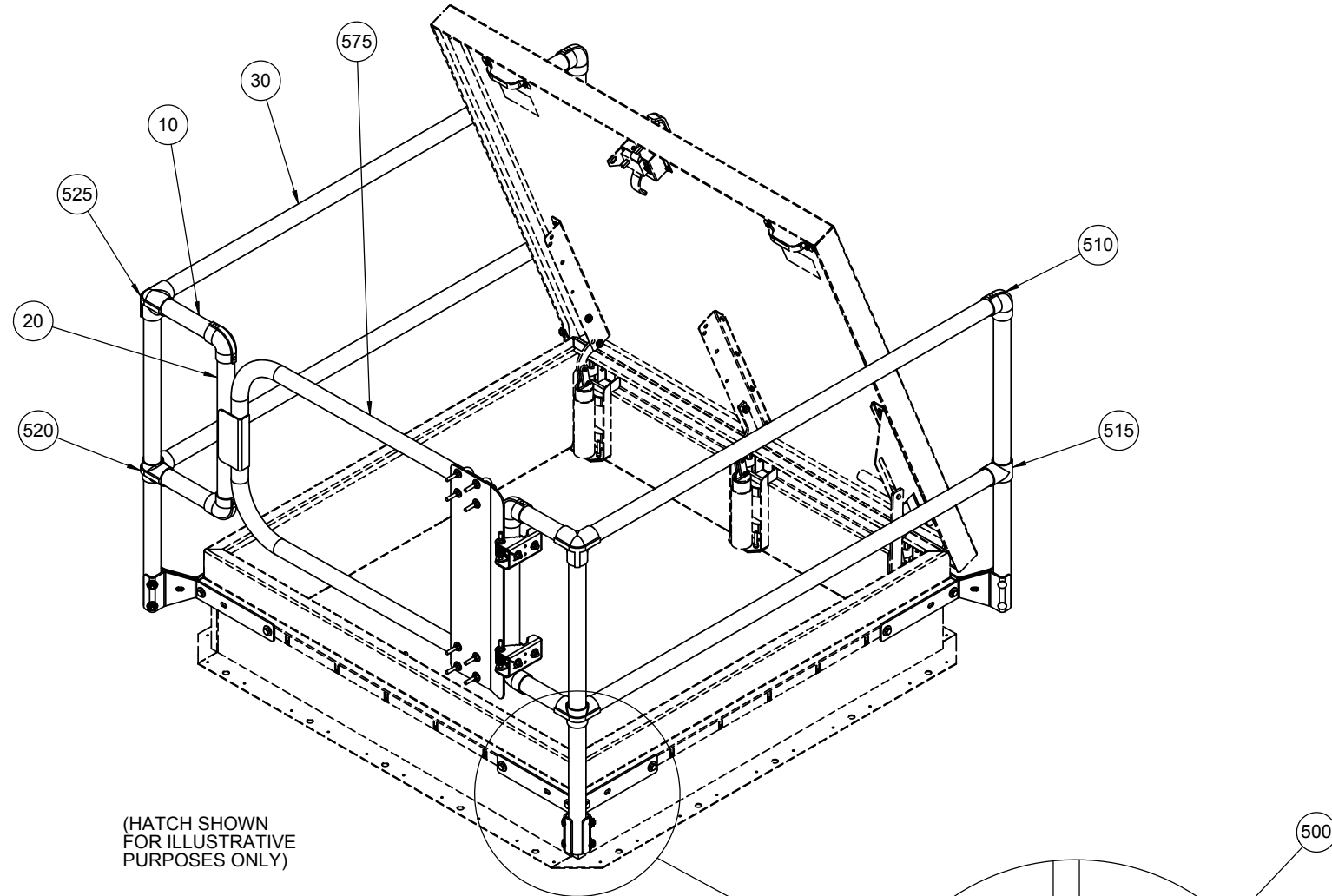
2

1

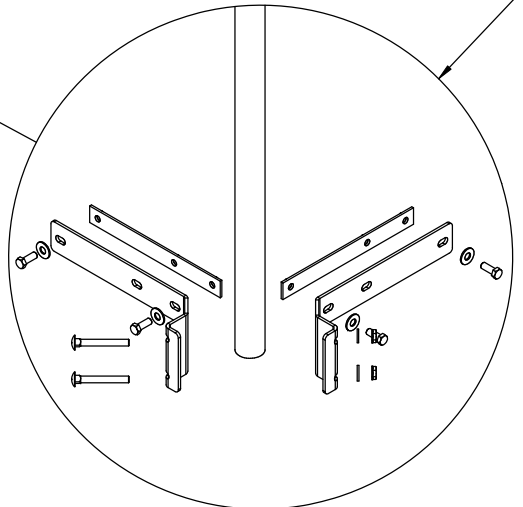
ITEM NO.	PART NUMBER	DESCRIPTION	QUANTITY
10	27258-8.00	RAIL, 1-1/4" X 8.00L,	4
20	27258-18.00	RAIL, 1-1/4" X 18.00L,	2
30	27258-55.75	RAIL, 1-1/4" X 55.75L,	4
500	27180	PKG, CORNER POST, ZPS,	4
510	27185	FTG, ELBOW,	6
515	27188	FTG, TEE,	2
520	27186	FTG, CROSS ELBOW,	2
525	27231	FTG, DBL TEE,	2
575	SRCG-GATE-30	GATE, 30,	1

D

D



(HATCH SHOWN FOR ILLUSTRATIVE PURPOSES ONLY)



DETAIL A
SCALE 1 : 8

C

C

B

B

A

A

PROPRIETARY AND CONFIDENTIAL: THE INFORMATION CONTAINED IN THIS DRAWING IS THE SOLE PROPERTY OF NYSTROM. ANY REPRODUCTION IN PART OR AS A WHOLE WITHOUT THE WRITTEN PERMISSION OF NYSTROM IS PROHIBITED.

		TITLE: Safety Railings for Roof Hatch 48x48, Front Exit, Steel, Galvanized, Self Closing Gate	
9300 73rd Avenue North Minneapolis, MN 55428		SIZE: B	DWG. NO.: SRCG48X48FG
DRAWN: DKL	DATE: 10/09/09	WEIGHT: 633.08	REV: A
RELEASED: -	-	SHEET 2 OF 2	

8

7

6

5

4

3

2

1