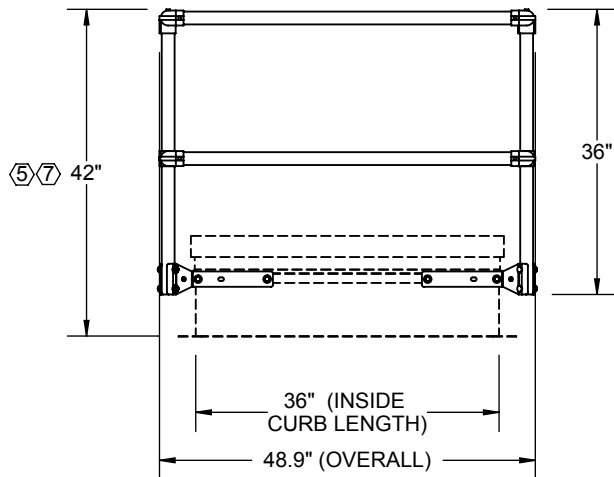


( SMOKE VENT SHOWN FOR ILLUSTRATIVE PURPOSES ONLY)



**SPECIFICATIONS**

- ① **RAILS, POSTS:** GALVANIZED PIPE 1 1/4" I.D. SCH 40 A53 GRADE B SEAMED STEEL
- ② **COUNTERFLASH MOUNTING BRACKETS:** 3/16" ZINC PLATED STEEL FASTENED TO STEEL BACKING PLATE
- ③ **BOLTS:** HEX HEAD BOLTS 3/8"-16 x 3/4" GRADE 5 ZINC PLATED
- ④ **RAILING FITTINGS AND PLUGS:** MANUFACTURER'S STANDARD CAST WITH SET SCREW HOLD

- ⑤ **CERTIFICATIONS:** MEETS OSHA 29 CFR 1910.23 GUARDING FOR OPENINGS REQUIREMENTS.
  - SUPPORTS 200 LBS. FORCE
  - 8" MAXIMUM POST SPACING
  - TOP RAIL LOCATED 42" ±3" FROM WALKING SURFACE

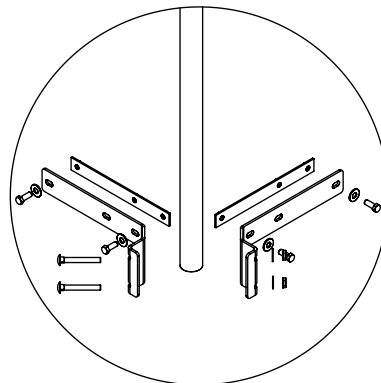
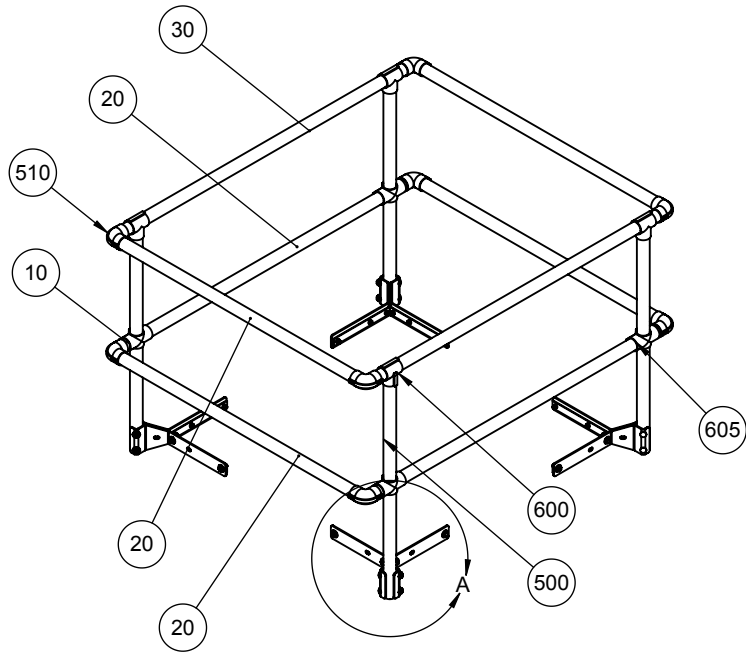
6. **SMOKE VENT SIZE:**  
36" (WIDTH) x 36" (LENGTH)

- ⑦ NOT FOR USE ON SMOKE VENTS WITH DOMES OR SMOKE VENTS WITHOUT COUNTERFLASHING. SAFETY RAILING SIZE AND TOP RAIL LOCATION BASED ON STANDARD SMOKE VENTS. CONSULT FACTORY FOR SMOKE VENTS WITH CUSTOM OPTIONS.

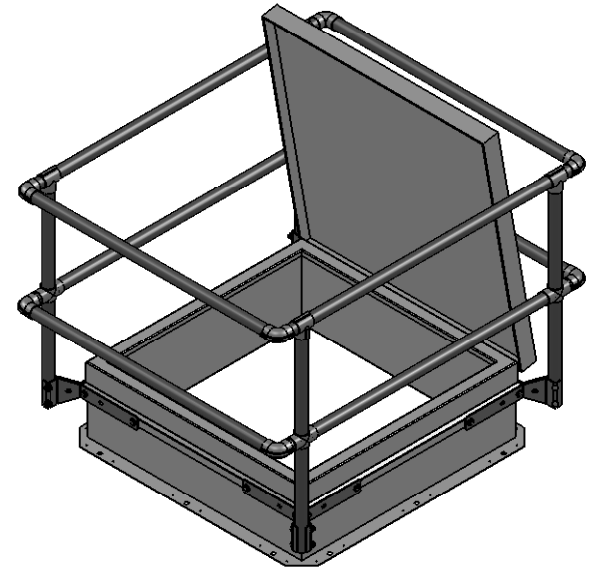
PROPRIETARY AND CONFIDENTIAL: THE INFORMATION CONTAINED IN THIS DRAWING IS THE SOLE PROPERTY OF NYSTROM. ANY REPRODUCTION IN PART OR AS A WHOLE WITHOUT THE WRITTEN PERMISSION OF NYSTROM IS PROHIBITED.

PROJECT:			
ARCHITECT:			
CONTRACTOR:			
QTY:			
PART#:		SRVG36X36NN	
 9300 73rd Avenue North Minneapolis, MN 55428		TITLE: Safety Railings for Smoke Vents 36x36, No Exit, Steel, Galvanized	
NAME	DATE	SIZE	DWG. NO.
DRAWN	SJB	2/13/12	A
RELEASED	DWO	TODAY	SRVG36X36NN
WEIGHT: 116.86			REV A
SHEET 1 OF 2			

ITEM NO.	PART NUMBER	DESCRIPTION	QTY.
10	27258-2.50	RAIL, 1-1/4" X 2.50L,	4
20	27258-44.75	RAIL, 1-1/4" X 44.75L,	6
30	27258-53.50	RAIL, 1-1/4" X 53.50L,	2
500	27180	PKG, CORNER POST, ZPS,	4
510	27185	FTG, ELBOW,	8
600	27200	FTG, TEE-MID,	4
605	27230	FTG, CROSS TEE,	4



DETAIL A



(SMOKE VENT SHOWN FOR ILLUSTRATIVE PURPOSES ONLY)

**INSTALLATION NOTES:**

1. TO DRILL HOLES IN COUNTERFLASHING TO MOUNT RAILING BRACKETS, TEMPORARILY ASSEMBLE THE RAILING BRACKETS AND MARK MOUNTING HOLES ON EACH CORNER. DRILL 1/2" DIAMETER HOLES THROUGH COUNTERFLASHING OF CURB.
2. REFERENCE MANUFACTURING INSTALLATION INSTRUCTIONS FOR FURTHER DETAILS.

				TITLE: Safety Railings for Smoke Vents 36x36, No Exit, Steel, Galvanized	
9300 73rd Avenue North Minneapolis, MN 55428					
	NAME	DATE	SIZE	DWG. NO.	REV
DRAWN	SJB	2/13/12	A	SRVG36X36NN	A
RELEASED	DWO	TODAY	WEIGHT: 116.86		SHEET 2 OF 2