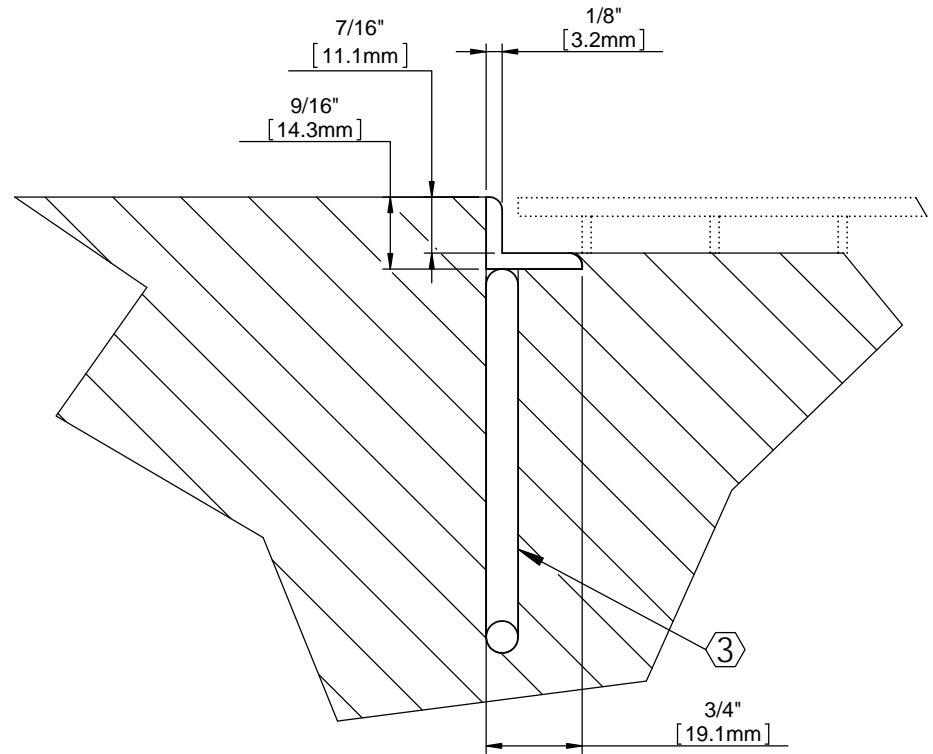


WIDTH VIEW




LENGTH VIEW

Notes:

- ① Frame is made of type 304 stainless steel.
2. All stainless steel frame corners are welded.
- ③ Anchors spacing: welded anchors 6" from corners, 24" O.C. max.
4. Grate options:
 - SS-38G, stainless steel grate
 - SS-38A, stainless steel grate with Ultrasorb Inserts
 - SS-38S, stainless steel grate with Rugged Scrub Inserts
5. Additional information can be found in the product specification and is considered part of this transmittal.

PROPRIETARY AND CONFIDENTIAL: THE INFORMATION CONTAINED IN THIS DRAWING IS THE SOLE PROPERTY OF NYSTROM. ANY REPRODUCTION IN PART OR AS A WHOLE WITHOUT THE WRITTEN PERMISSION OF NYSTROM IS PROHIBITED.

PROJECT:			
ARCHITECT:			
CONTRACTOR:			
 Right to site. 9300 73rd Avenue North Minneapolis, MN 55428		DESCRIPTION:	
		SS-38SF, stainless steel angle frame, level bed, cast in place	
NAME	DATE	SIZE	MODEL NO.
DRAWN DKL	8/14/13	A	SS-38SF
RELEASED	PGE	8/23/13	SCALE: NTS
			REV A
			SHEET 1 OF 1