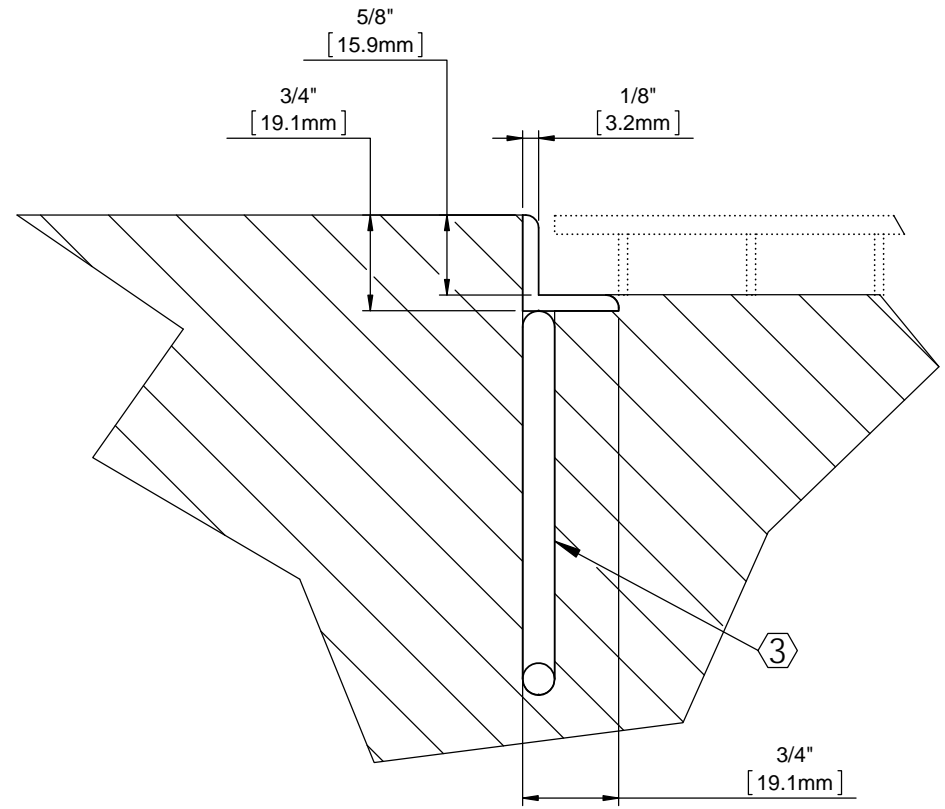


**WIDTH VIEW**




**LENGTH VIEW**

**Notes:**

- ① Frame is made of type 304 stainless steel.
- 2. All stainless steel frame corners are welded.
- ③ Anchors spacing: welded anchors 6" from corners, 24" O.C. max.
- 4. Grate options:
  - SS-58G, stainless steel grate
  - SS-58A, stainless steel grate with Ultrasorb Inserts
  - SS-58S, stainless steel grate with Rugged Scrub Inserts
- 5. Additional information can be found in the product specification and is considered part of this transmittal.

PROPRIETARY AND CONFIDENTIAL: THE INFORMATION CONTAINED IN THIS DRAWING IS THE SOLE PROPERTY OF NYSTROM. ANY REPRODUCTION IN PART OR AS A WHOLE WITHOUT THE WRITTEN PERMISSION OF NYSTROM IS PROHIBITED.

PROJECT:					
ARCHITECT:					
CONTRACTOR:					
 Right to site. 9300 73rd Avenue North Minneapolis, MN 55428		DESCRIPTION:			
		SS-58SF, stainless steel angle frame, level bed, cast in place			
	NAME	DATE	SIZE	MODEL NO.	REV
DRAWN	DKL	8/14/13	A	SS-58SF	A
RELEASED	PGE	9/13/13	SCALE: NTS	SHEET 1 OF 1	