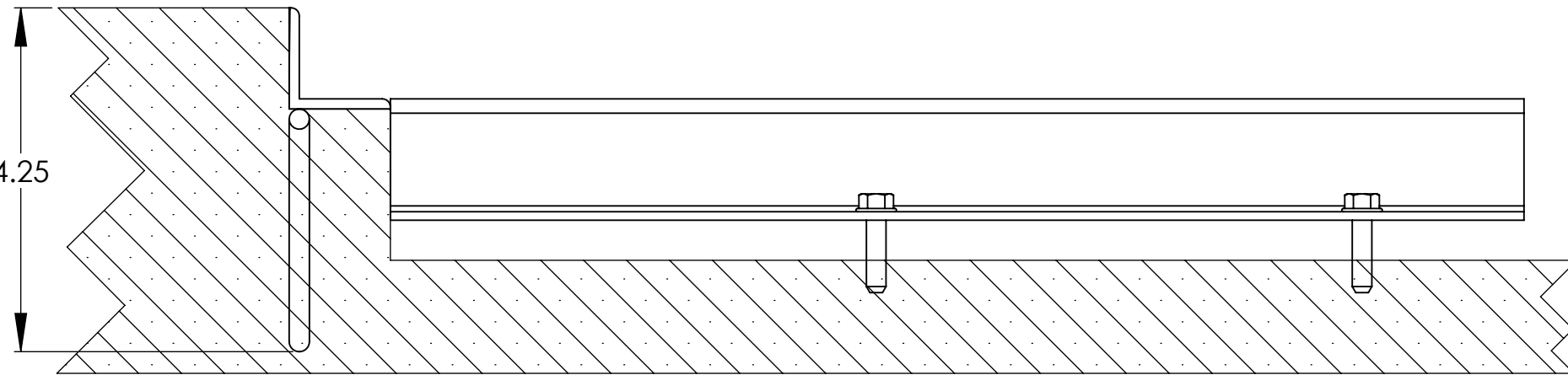


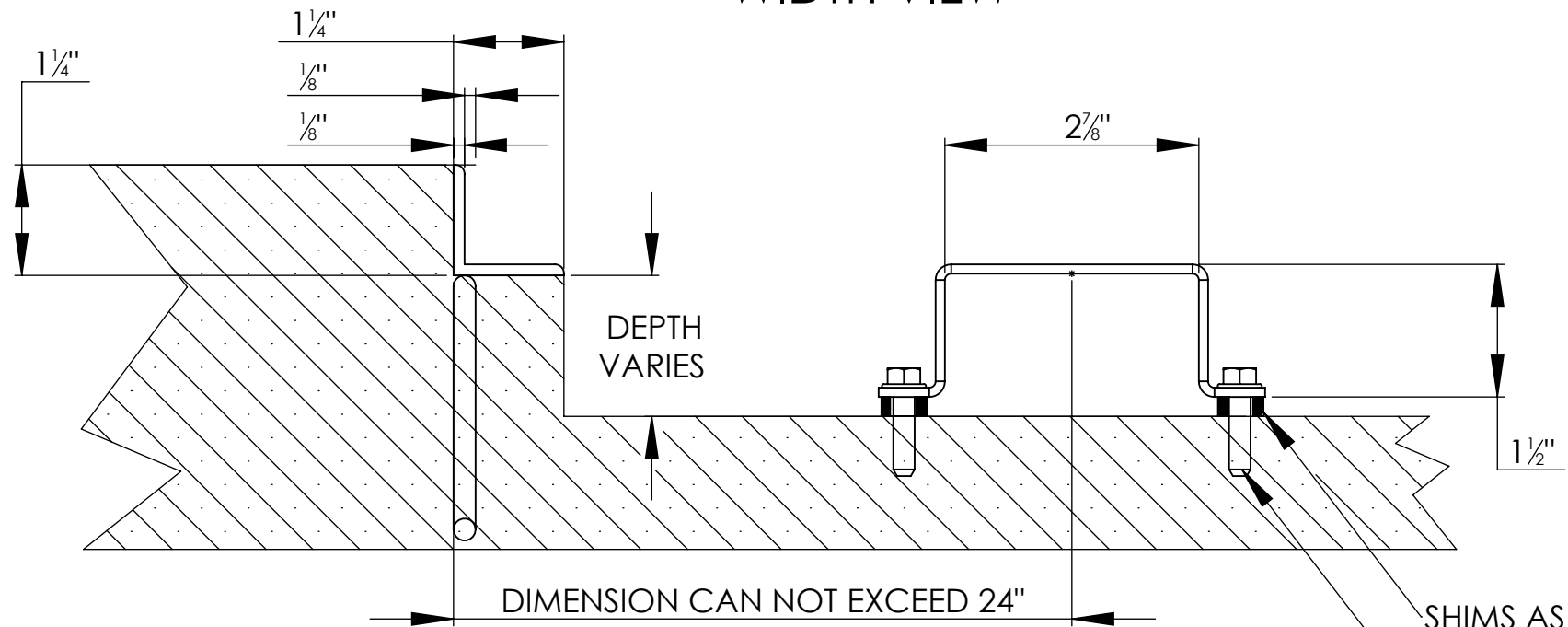
SS-98SF STAINLESS STEEL FRAME DETAIL

THE SS-98SF FRAMES IS A RECESSED STAINLESS STEEL FRAME MEANT FOR USE WITH THE SS-98G ELEGRIL STAINLESS STEEL GRATE.

SPECIFICATIONS:
 TYPE SS-98SF DEEP PIT GRATE FRAME IS
 1.25" (31.MM) DEEP BY 1/8" (3.2MM) PROFILE.
 OUR RAILS ARE MADE FROM STAINLESS STEEL.



WIDTH VIEW



LENGTH VIEW

SHIMS AS REQUIRED
 CROSS SUPPORT ANCHORS SPACED
 1' (.3M) ON CENTER EACH SIDE OF CROSS
 SUPPORT

Arden
 Architectural
 Specialties, Inc.™
 9300 73rd Avenue North
 Brooklyn Park, MN 55428

| |
|---|
| JOB REF. |
| MODEL NO. SS-98SF |
| RELEASED DATE 5/4/2011 SHEET 1 OF 1 |