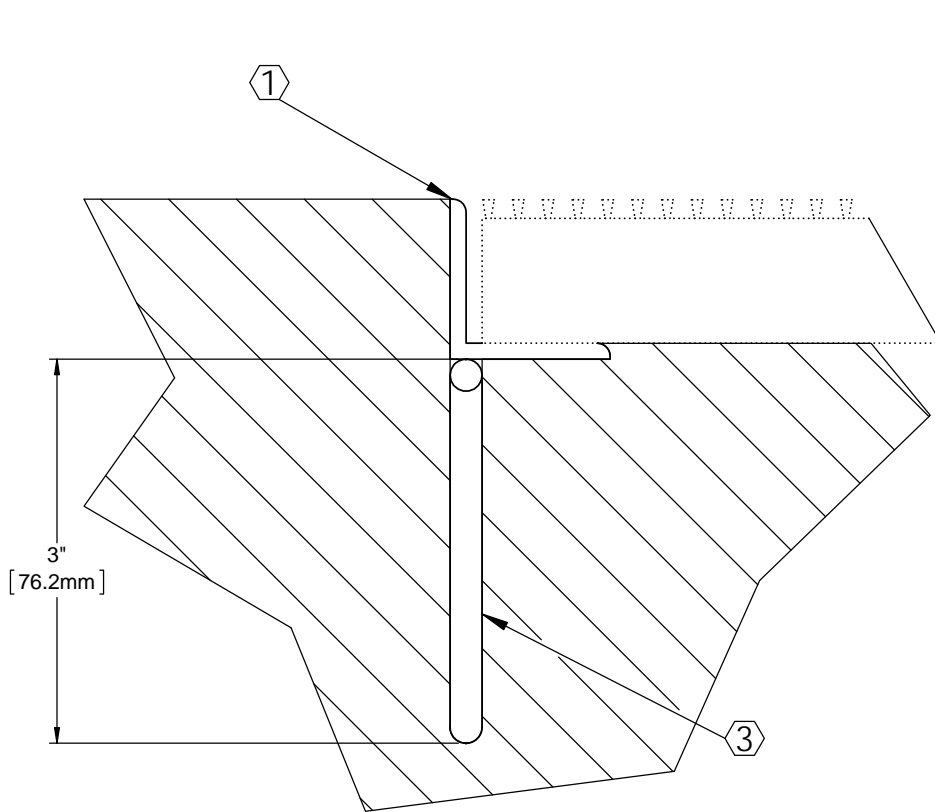
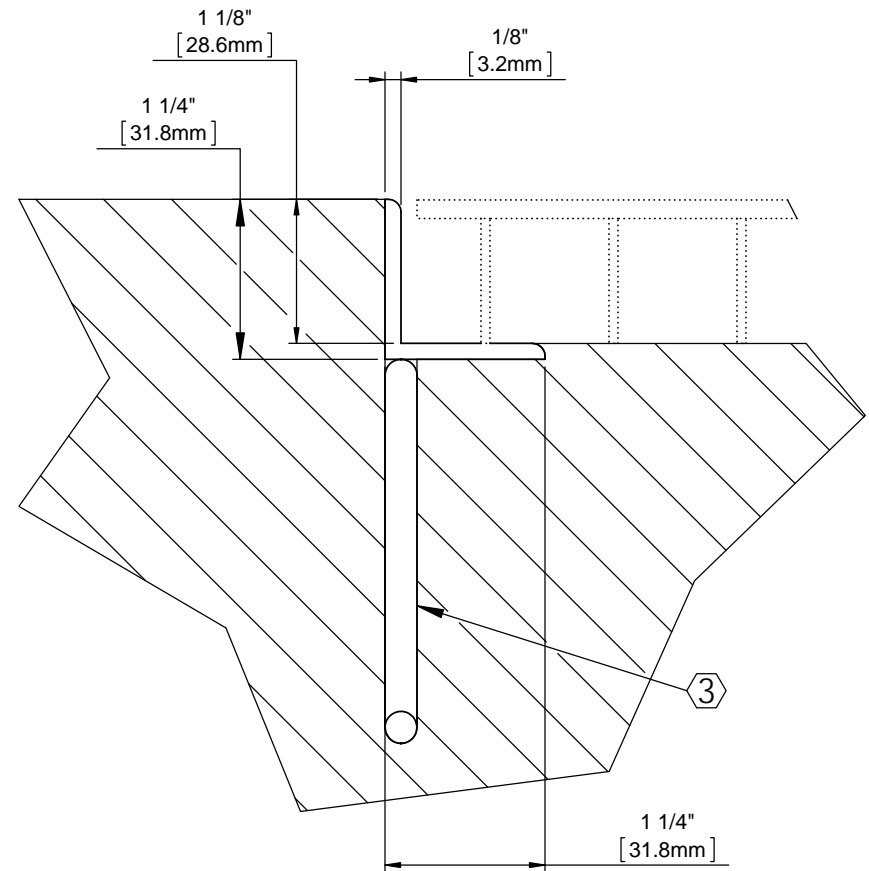


B



**WIDTH VIEW**

1



**LENGTH VIEW**


B

**Notes:**

- ① Frame is made of type 304 stainless steel.
- 2. All stainless steel frame corners are welded.
- ③ Anchors spacing: welded anchors 6" from corners, 24" O.C. max.
- 4. Grate options:
  - SS-98G, stainless steel grate
  - SS-98A, stainless steel grate with Ultrasorb Inserts
  - SS-98S, stainless steel grate with Rugged Scrub Inserts
- 5. Additional information can be found in the product specification and is considered part of this transmittal.

A

A

PROJECT:			
ARCHITECT:			
CONTRACTOR:			
 Right to site. 9300 73rd Avenue North Minneapolis, MN 55428		DESCRIPTION:	
		SS-98SFLB, stainless steel angle frame, level bed, cast in place	
NAME	DATE	SIZE	MODEL NO.
DRAWN	DKL	8/23/13	A
RELEASED	PGE	9/13/13	SCALE: NTS
			REV
			A
			SHEET 1 OF 1