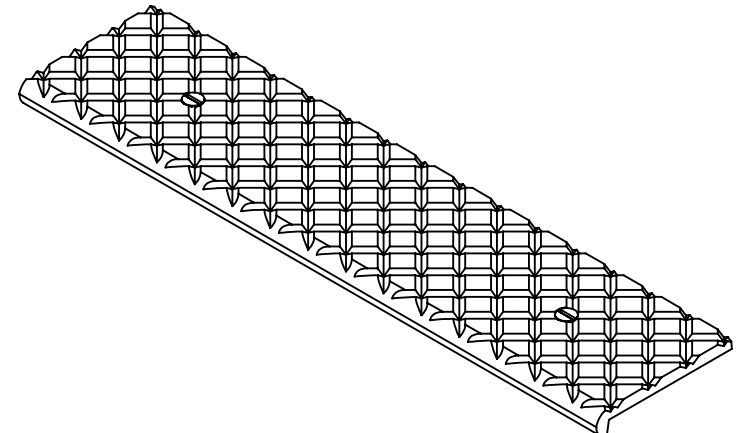
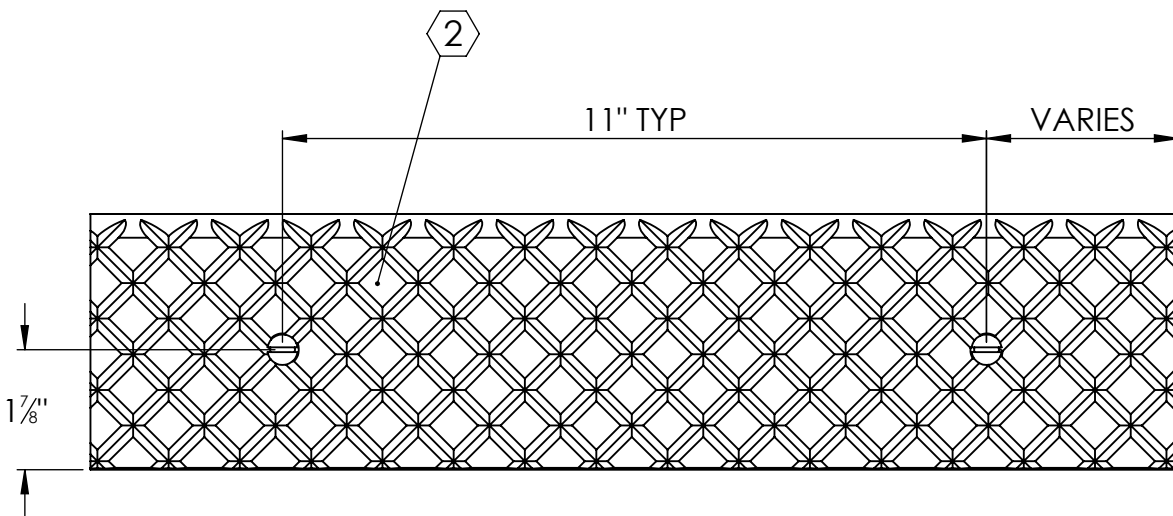


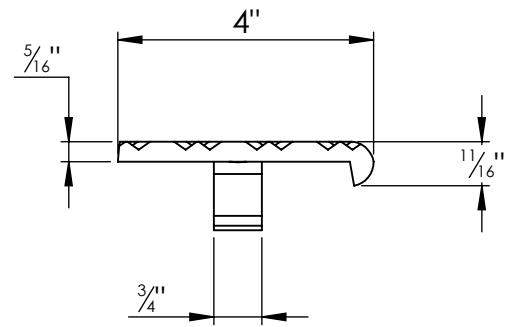
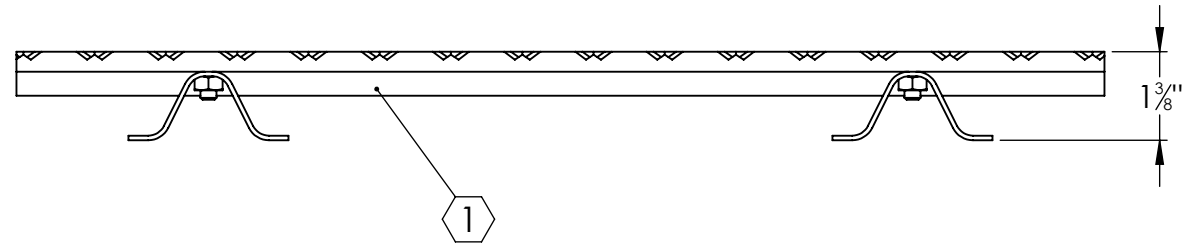
B

B



A


A



**SPECIFICATIONS:**

- ① BASE: 319 CAST ALUMINUM
- ② ABRASIVE: SILICON CARBIDE ABRASIVE , CROSSHATCH PATTERN 1/8" DEEP
- 3. FINISH: SAND CAST
- 4. POURED CONCRETE STAIRS: NOSING SHALL TERMINATE NO MORE THEN 3" FROM END OF STEPS
- 5. LENGTH: 6" MINIMUM 6'-0" MAXIMUM
- 6. WING ANCHORS: STANDARD FOR POURED CONCRETE APPLICATIONS; STEEL ANCHORS AND STAINLESS STEEL HARDWARE

LENGTH ±1/8	QTY

PROJECT:				
ARCHITECT:				
CONTRACTOR:				
QTY:				
PART#:		STCA-P4W		
 9300 73rd Avenue North Minneapolis, MN 55428		TITLE: Stair Tread, Cast Series		
		4", Cast Aluminum Crosshatch Short Nosing for Pan, Wing Anchor		
NAME	DATE	SIZE	DWG. NO.	REV
DRAWN SJB	3/31/11	A	STCA-P4W	A
RELEASED DWO	3/31/11	WEIGHT: 1.20 LB/FT		SHEET 1 OF 1

PROPRIETARY AND CONFIDENTIAL: THE INFORMATION CONTAINED IN THIS DRAWING IS THE SOLE PROPERTY OF NYSTROM. ANY REPRODUCTION IN PART OR AS A WHOLE WITHOUT THE WRITTEN PERMISSION OF NYSTROM IS PROHIBITED.