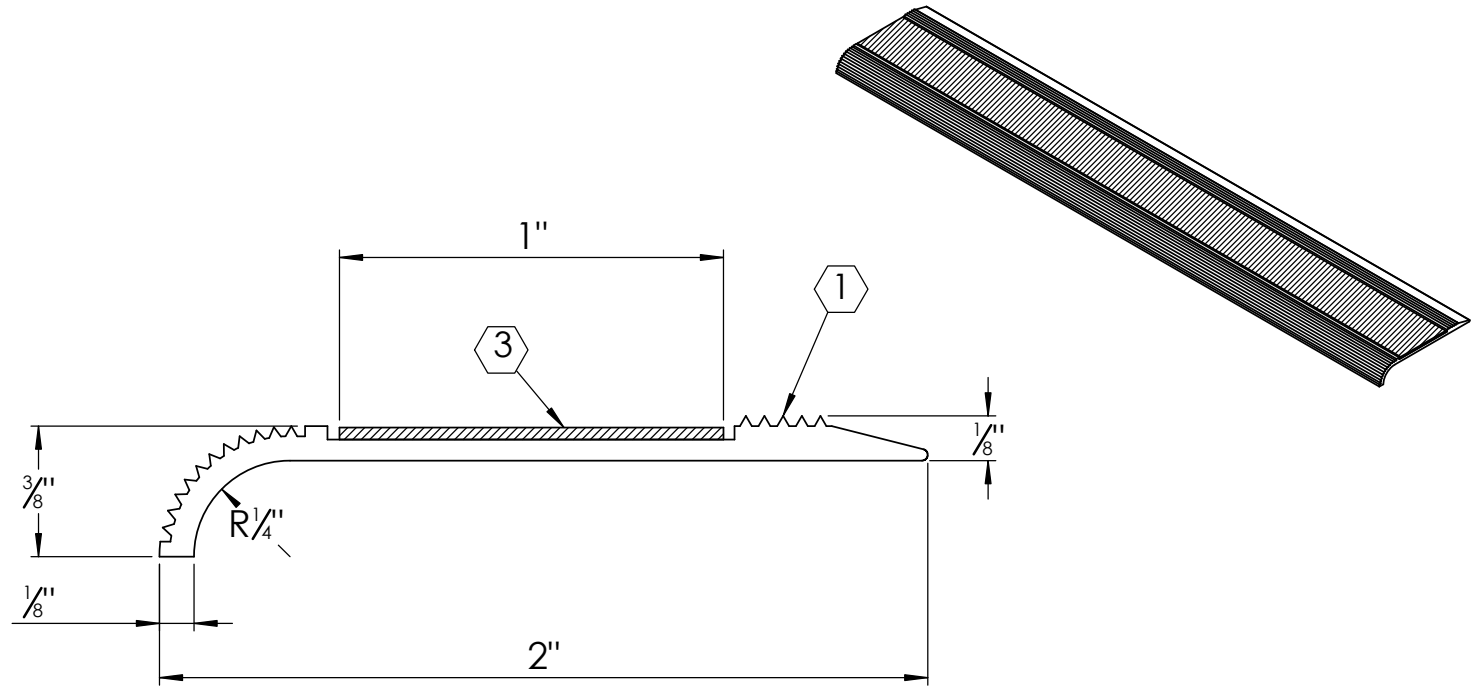


B

B




MODEL BSTRM-R2A-T

A

A



PROJECT:			
ARCHITECT:			
CONTRACTOR:			
QTY:			
PART#:			
 9300 73rd Avenue North Minneapolis, MN 55428		TITLE:	
		Stair Tread, Renovation Low Profile, Round Nose Serrated Alum Body, 1" Insert	
NAME	DATE	SIZE	DWG. NO.
DRAWN	DKL	7/26/18	A
RELEASED	TR	7/26/18	WEIGHT: -
			REV
			A
			SHEET 1 OF 1