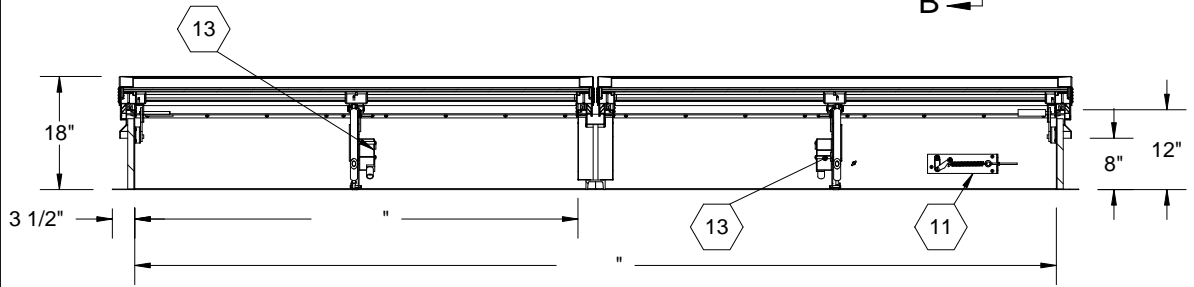
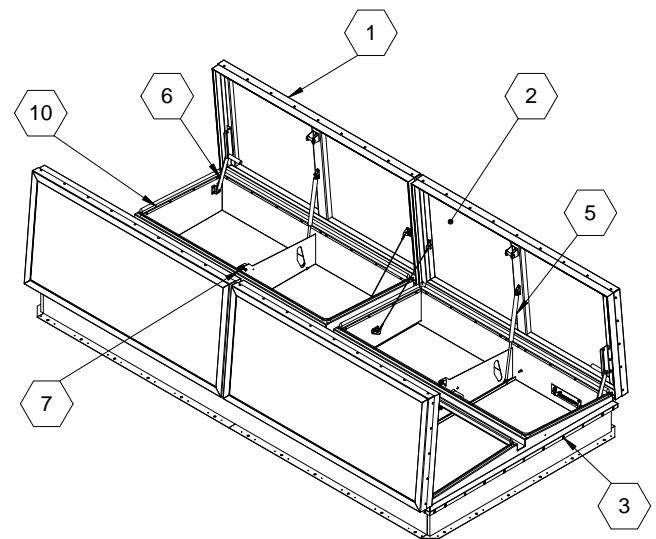


SECTION B-B



SECTION A-A



SPECIFICATIONS:

- ① COVER: 11 GAUGE ALUMINUM COVER STIFFENED TO WITHSTAND A LIVE LOAD OF 40 PSF WITH A MAX DEFLECTION OF 1/150 OF THE SPAN
- ② TRANSLUCENT MATERIAL: Multiwall, White
- ③ CURB AND COUNTERFLASH W/ EZ TAB: 11 GAUGE ALUMINUM
- ④ FINISH: COVER - Mill
CURB - Mill
- ⑤ GAS SPRING WITH DAMPER: DESIGNED TO OPEN AGAINST A 10PSF SNOW LOAD IN NOT LESS THAN 2 SECONDS
- ⑥ HOLD OPEN ARM: LOCK COVER IN FULLY OPEN POSITION - ZINC PLATED STEEL
- ⑦ LATCH: ZINC PLATED ROTARY LATCH ASSEMBLY DESIGNED TO HOLD COVERS CLOSED AGAINST 90 PSF PSF WIND UPLIFT ZINC PLATED STEEL LATCH STRIKERS ON COVERS

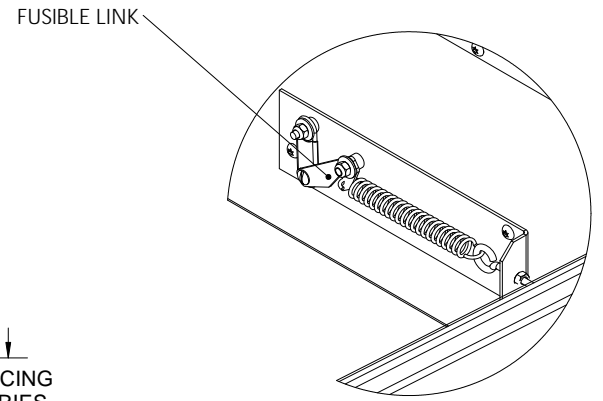
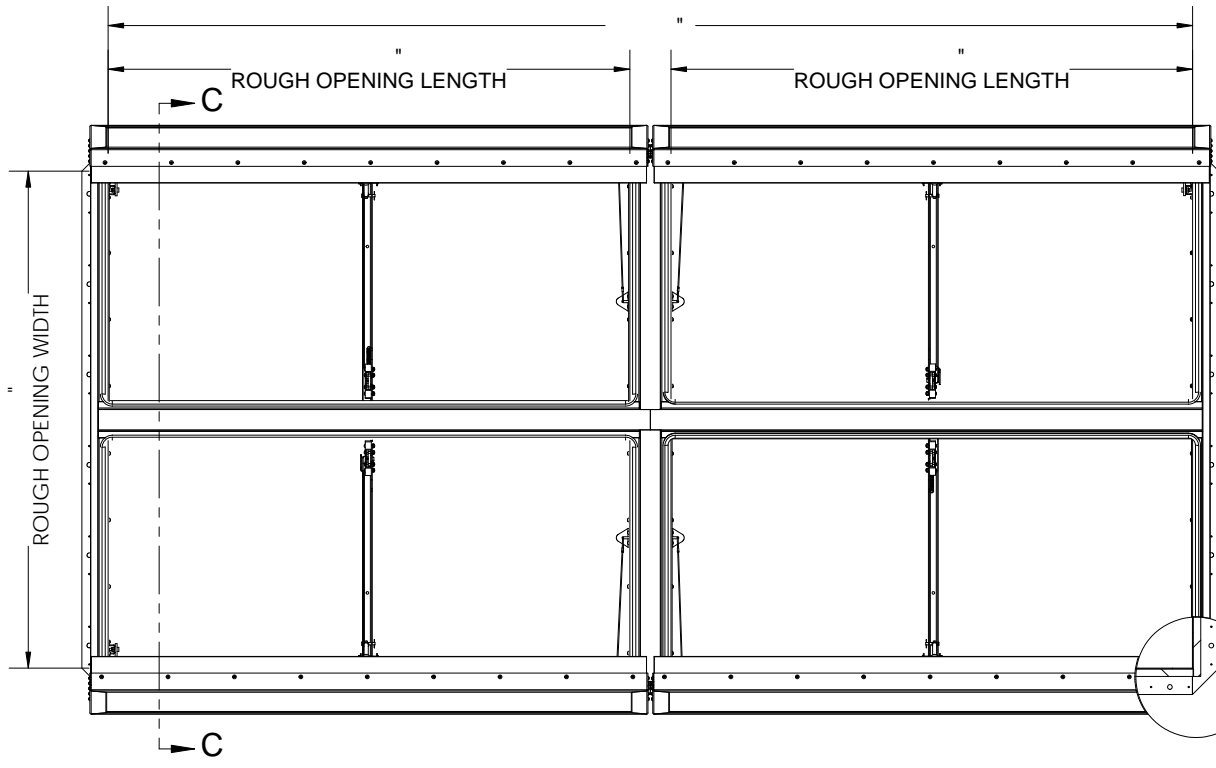
- ⑧ HINGES: ZINC PLATED STEEL WITH STAINLESS STEEL HINGE PINS
- ⑨ INSULATION: 1" POLYISOCYANURATE IN COVER AND AROUND CURBING PERIMETER, R-VALUE 6
- ⑩ GASKET: ADHESIVE BACKED EPDM RUBBER EXTRUSION
- ⑪ THERMAL RELEASE MECHANISM: VENT COVERS OPEN THERMALLY BY HEAT AT FUSIBLE LINK TEMPERATURE °F
- ⑫ MANUAL OPENING: VENT COVERS OPEN WITH INTERNAL AND EXTERNAL MANUAL PULL HANDLE, 1/16" DIA SST CABLE
- ⑬ ELECTRICAL RELEASE: VENT COVERS OPEN ELECTRICALLY WHEN ENERGIZED WITH
- ⑭ BURGLAR BARS: None

SMOKE VENT SIZE "(WIDTH) x "(LENGTH)

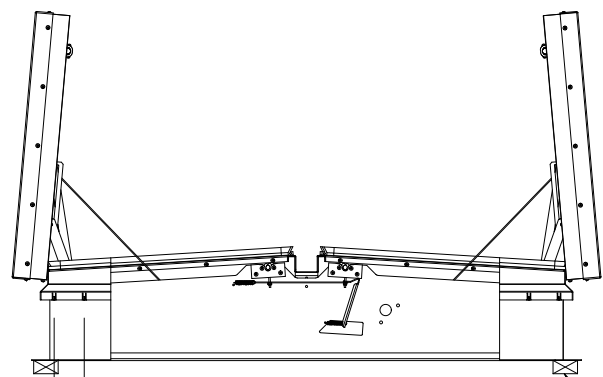
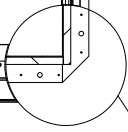
EFFECTIVE VENTING AREA 80% SOFT

PROJECT:	
ARCHITECT:	
CONTRACTOR:	
QTY:	
PART#:	SVLA X Q1 R
nystrom	TITLE: Smoke Vent, Sunlit Series Aluminum, Quad Door, Single Wall Curb Electrical
9300 73rd Avenue North Minneapolis, MN 55428	
NAME DATE SIZE DWG. NO. REV	
DRAWN SGS 11/23/11 A SVLA_X_Q1__R -	
RELEASED IMT 11/23/11 WEIGHT: VARIES SHEET 1 OF 2	

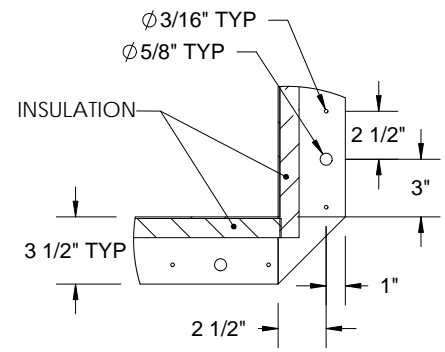
PROPRIETARY AND CONFIDENTIAL: THE INFORMATION CONTAINED IN THIS DRAWING IS THE SOLE PROPERTY OF NYSTROM. ANY REPRODUCTION IN PART OR AS A WHOLE WITHOUT THE WRITTEN PERMISSION OF NYSTROM IS PROHIBITED.



SPACING VARIES 8-15"



E-Z TAB TO SECURE MEMBRANE
SPACING VARIES 5"-8"



DETAIL D

CONCRETE/WOOD/OTHER MATERIAL PROVIDED BY OTHER NIC

SMOKE VENT COVER OPENS WHEN ACTIVATED BY:

- A. THERMAL RELEASE MECHANISM:** RELEASED BY HEAT WITH A UL LISTED FUSIBLE LINK AT TEMPERATURE °F
OPTIONS: 165 °F, 212 °F, 280 °F, 350 °F, 360 °F, 370 °F, 386 °F, 450 °F
- B. MANUAL OPENING:** RELEASED BY EXTERNAL AND INTERNAL PULL CABLES WITH HANDLES AND 5FT OF INTERNAL CABLE PROVIDED
- C. ELECTRICAL RELEASE:** RELEASED BY A 2.5 WATT UL LISTED ROTARY ACTUATOR WHEN ENERGIZED TO

SMOKE VENT COVER CLOSED MANUALLY FROM ROOFTOP

			TITLE:		
			Smoke Vent, Sunlit Series Aluminum, Quad Door, Single Wall Curb Electrical		
9300 73rd Avenue North Minneapolis, MN 55428			SIZE	DWG. NO.	REV
DRAWN	NAME	DATE	A	SVLA_X_Q1_ _R	-
RELEASED	IMT	11/23/11	WEIGHT: VARIES	SHEET 2 OF 2	