

SECTION A-A

SPECIFICATIONS:

① **COVER:** 11 GAUGE ALUMINUM COVER STIFFENED TO WITHSTAND A LIVE LOAD OF 40 PSF WITH A MAX DEFLECTION OF 1/150 OF THE SPAN

② **LINER:** 18 GAUGE ALUMINUM

③ **CURB AND COUNTERFLASH W/ EZ TAB:**
11 GAUGE ALUMINUM

4 **FINISH:** COVER - Mill
CURB - Mill

⑤ **GAS SPRING WITH DAMPER:** DESIGNED TO OPEN AGAINST A 10PSF SNOW LOAD IN NOT LESS THAN 2 SECONDS

⑥ **LATCH:** ZINC PLATED ROTARY LATCH ASSEMBLY DESIGNED TO HOLD COVERS CLOSED AGAINST 30 PSF WIND UPLIFT ZINC PLATED STEEL LATCH STRIKERS ON COVERS

⑦ **HINGES:** ZINC PLATED STEEL WITH STAINLESS STEEL HINGE PINS

⑧ **INSULATION:** 1" Polyiso curb (R5.6), 1" Polyiso cover (R5.6)

⑨ **GASKET:** ADHESIVE BACKED EPDM RUBBER EXTRUSION

⑩ **THERMAL RELEASE MECHANISM:** VENT COVERS OPEN THERMALLY BY HEAT AT FUSIBLE LINK TEMPERATURE 165F °F


11 **MANUAL OPERATION:**
VENT COVERS OPEN WITH INTERNAL AND EXTERNAL MANUAL PULL HANDLES, 1/16" DIA SST CABLE, CLOSE VENT AT ROOFTOP OR WITH ELECTRICAL CONTROLLER

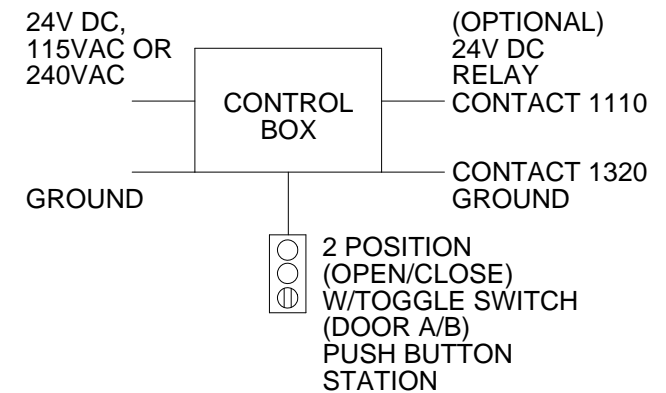
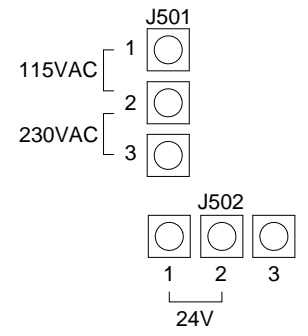
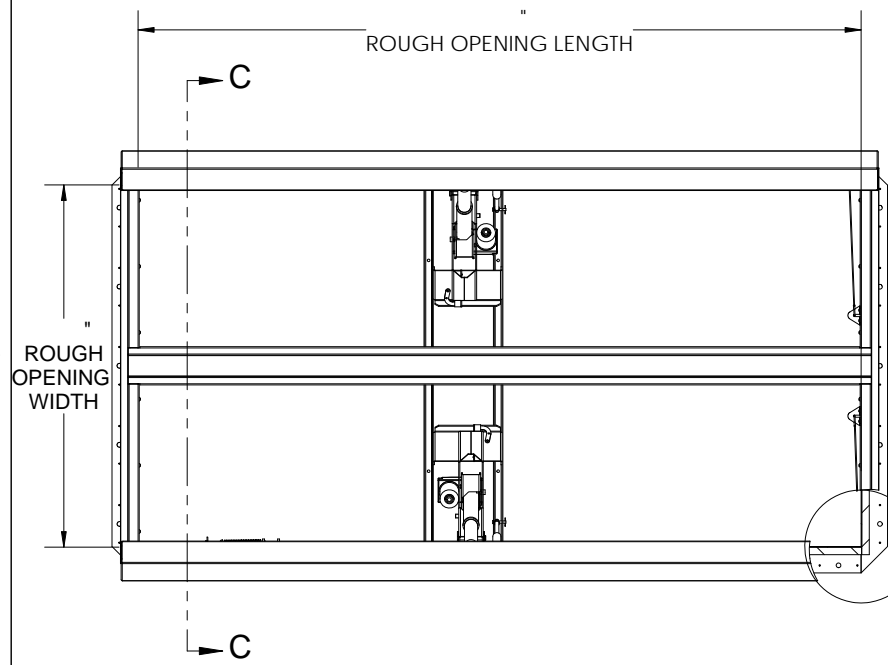
⑫ **ELECTRICAL CONTROL:** LINEAR ACTUATORS OPERATE THE DOORS OPEN AND CLOSED CONTROLLED BY A USER PUSH BUTTON STATION. SYSTEM CAN BE POWERED BY 24V DC OR 115/230VAC AT 50/60HZ.

⑬ **BURGLAR BARS:** None

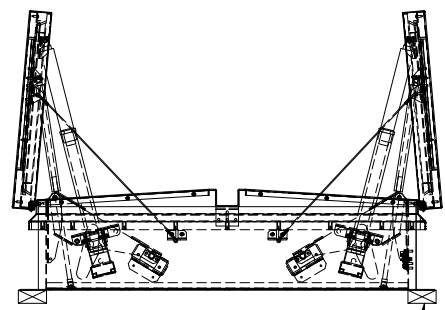
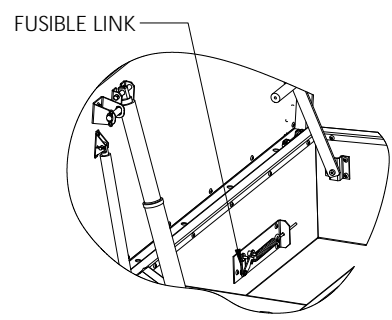
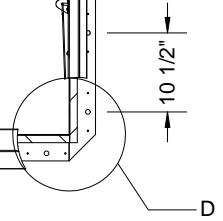
SMOKE VENT SIZE "(WIDTH) x "(LENGTH)
EFFECTIVE VENTING AREA 80%

PROPRIETARY AND CONFIDENTIAL: THE INFORMATION CONTAINED IN THIS DRAWING IS THE SOLE PROPERTY OF NYSTROM. ANY REPRODUCTION IN PART OR AS A WHOLE WITHOUT THE WRITTEN PERMISSION OF NYSTROM IS PROHIBITED.

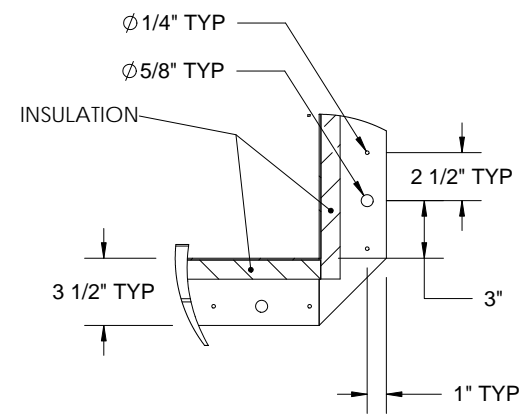
PROJECT:			
ARCHITECT:			
CONTRACTOR:			
QTY:			
PART#:			
 Right to site. 9300 73rd Avenue North Brooklyn Park, MN 55428		TITLE: Smoke Vent, SmokEscape,	
		Alum, Mill, Sngl Wall Curb,	
NAME	DATE	SIZE	DWG. NO.
ELW		A	
RELEASED	ELW	WEIGHT: VARIES	
			SHEET 1 OF 2



WIRING DIAGRAM



SECTION C-C



DETAIL D

<p>Right to site. 9300 73rd Avenue North Brooklyn Park, MN 55428</p>			TITLE: Smoke Vent, SmokEscape, Alum, Mill, Sngl Wall Curb,		
NAME	DATE	SIZE	DWG. NO.	REV	
DRAWN	ELW	A		A	
RELEASED	ELW		WEIGHT: VARIES	SHEET 2 OF 2	

PROPRIETARY AND CONFIDENTIAL: THE INFORMATION CONTAINED IN THIS DRAWING IS THE SOLE PROPERTY OF NYSTROM. ANY REPRODUCTION IN PART OR AS A WHOLE WITHOUT THE WRITTEN PERMISSION OF NYSTROM IS PROHIBITED.