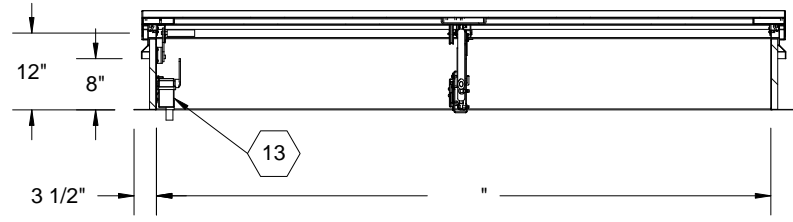
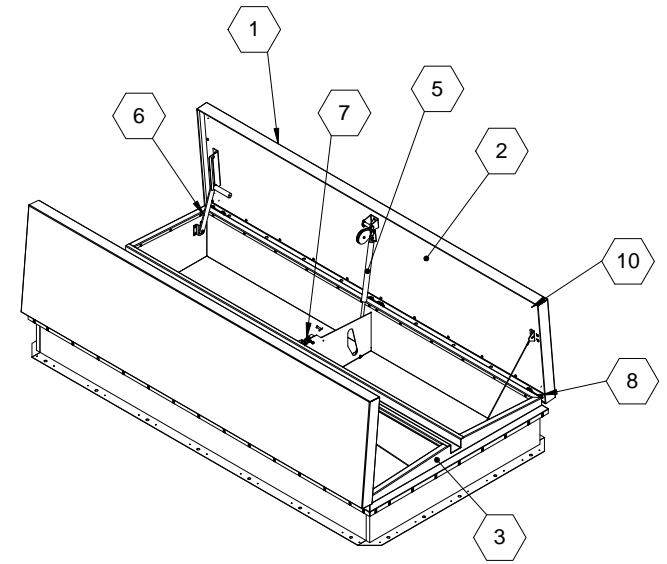
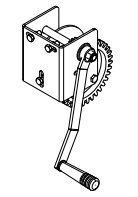


SECTION B-B



SECTION A-A



LOWER WINCH

SPECIFICATIONS:

- ① COVER: 14 GAUGE GALVANNEAL COVER STIFFENED TO WITHSTAND A LIVE LOAD OF 40 PSF WITH A MAX DEFLECTION OF 1/150 OF THE SPAN
- ② LINER: 22 GAUGE GALVANNEAL
- ③ CURB AND COUNTERFLASH W/ EZ TAB: 14 GAUGE GALVANNEAL
- ④ FINISH: COVER - Powder Coat, ANSI 70 Gray  
CURB - Powder Coat, ANSI 70 Gray
- ⑤ GAS SPRING WITH DAMPER: DESIGNED TO OPEN AGAINST A 10PSF SNOW LOAD IN NOT LESS THAN 2 SECONDS
- ⑥ HOLD OPEN ARM: LOCK COVER IN FULLY OPEN POSITION - ZINC PLATED STEEL
- ⑦ LATCH: ZINC PLATED ROTARY LATCH ASSEMBLY DESIGNED TO HOLD COVERS CLOSED AGAINST 90 PSF PSF WIND UPLIFT ZINC PLATED STEEL LATCH STRIKERS ON COVERS

- ⑧ HINGES: ZINC PLATED STEEL WITH STAINLESS STEEL HINGE PINS
  - ⑨ INSULATION: 1" Polyiso curb (R5.6), 1" Polyiso cover (R5.6)
  - ⑩ GASKET: ADHESIVE BACKED EPDM RUBBER EXTRUSION
  - ⑪ THERMAL RELEASE MECHANISM: VENT COVERS OPEN THERMALLY BY HEAT AT FUSIBLE LINK TEMPERATURE 165F°F
  - ⑫ MANUAL OPERATION: VENT COVERS OPEN WITH EXTERNAL MANUAL PULL HANDLE, 1/16" DIA SST CABLE AND VENT COVERS OPEN AND CLOSE WITH MANUAL WINCH, 100FT 1/8" DIA CABLE
  - ⑬ ELECTRICAL RELEASE: VENT COVERS OPEN ELECTRICALLY WHEN ENERGIZED WITH 24VAC/VDC, REQUIRES RESET AT ROOF LEVEL
  - ⑭ BURGLAR BARS: None
- SMOKE VENT SIZE      "(WIDTH) x      "(LENGTH)  
EFFECTIVE VENTING AREA 80%

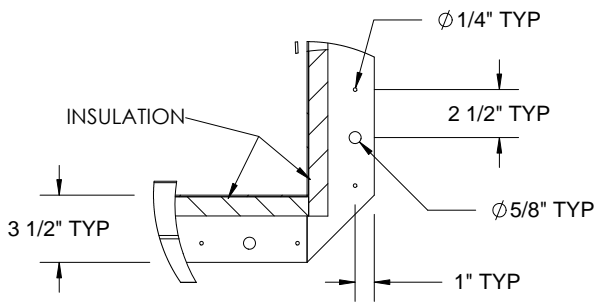
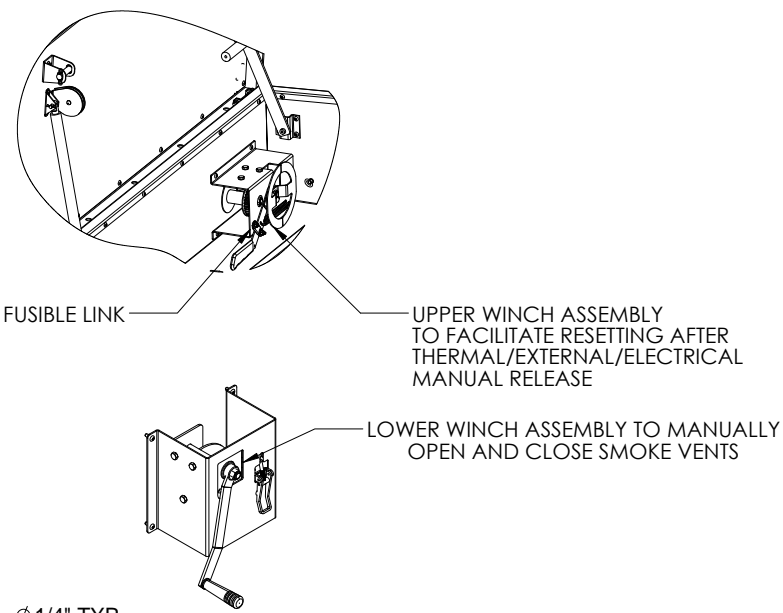
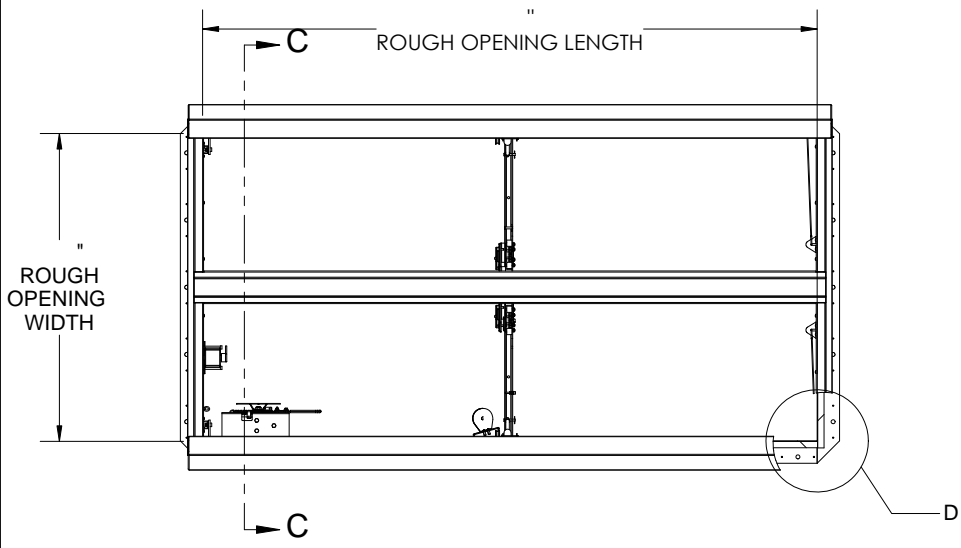


PROJECT:			
ARCHITECT:			
CONTRACTOR:			
QTY:			
PART#:			
 Right to site. 9300 73rd Avenue North Brooklyn Park, MN 55428		TITLE: Smoke Vent, SmokEscape, Galv, Gray Pwd,	
NAME	DATE	SIZE	DWG. NO.
ELW	4/15/14	A	
RELEASED	ELW	4/15/14	WEIGHT: VARIES

PROPRIETARY AND CONFIDENTIAL: THE INFORMATION CONTAINED IN THIS DRAWING IS THE SOLE PROPERTY OF NYSTROM. ANY REPRODUCTION IN PART OR AS A WHOLE WITHOUT THE WRITTEN PERMISSION OF NYSTROM IS PROHIBITED.

B

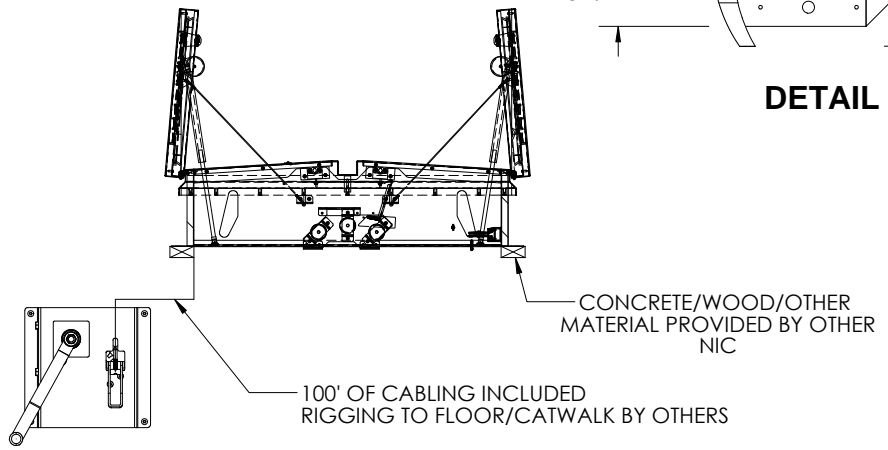
B



DETAIL D

A

A



SECTION C-C

<p>Right to site. 9300 73rd Avenue North Brooklyn Park, MN 55428</p>			TITLE: Smoke Vent, SmokEscape,		REV
			Galv, Gray Pwd,		
	NAME	DATE	SIZE	DWG. NO.	
DRAWN	ELW	4/15/14	A		A
RELEASED	ELW	4/15/14	WEIGHT: VARIES		SHEET 2 OF 2

PROPRIETARY AND CONFIDENTIAL: THE INFORMATION CONTAINED IN THIS DRAWING IS THE SOLE PROPERTY OF NYSTROM. ANY REPRODUCTION IN PART OR AS A WHOLE WITHOUT THE WRITTEN PERMISSION OF NYSTROM IS PROHIBITED.