


SECTION A-A

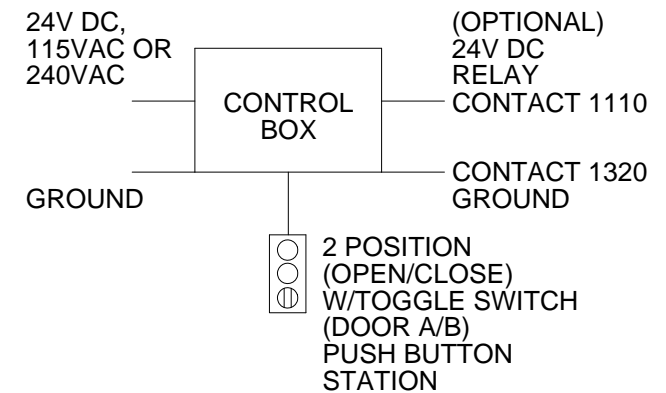
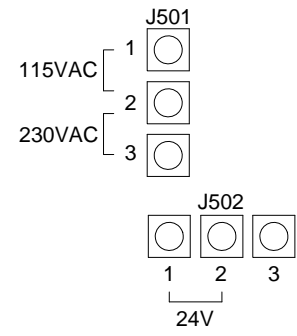
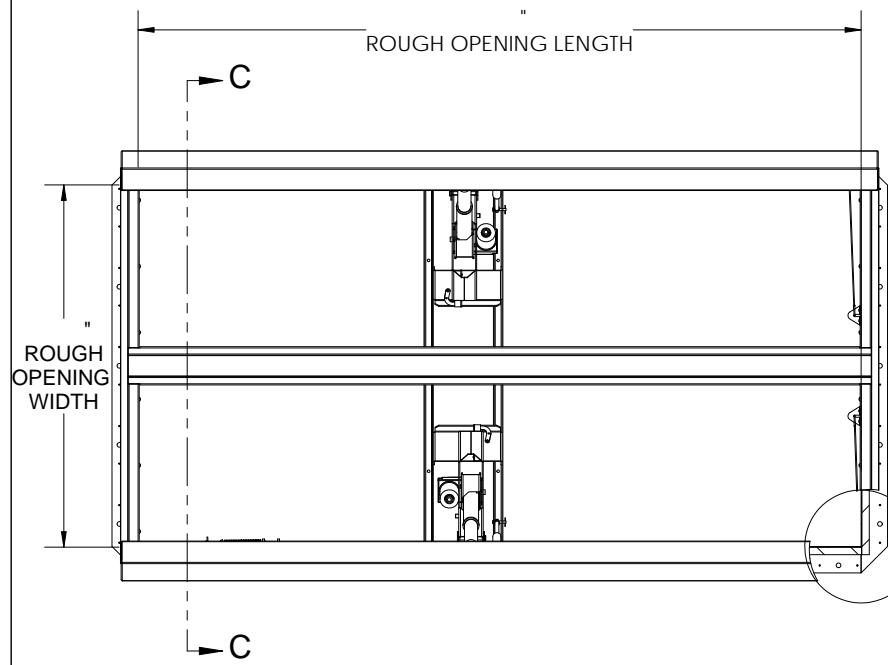
SPECIFICATIONS:

- ① **COVER:** 14 GAUGE GALVANNEAL COVER STIFFENED TO WITHSTAND A LIVE LOAD OF 40 PSF WITH A MAX DEFLECTION OF 1/150 OF THE SPAN
- ② **LINER:** 22 GAUGE GALVANNEAL
- ③ **CURB AND COUNTERFLASH W/ EZ TAB:** 14 GAUGE GALVANNEAL
- 4 **FINISH:** COVER - PWD COAT, ANSI 70 GRAY  
CURB - PWD COAT, ANSI 70 GRAY
- ⑤ **GAS SPRING WITH DAMPER:** DESIGNED TO OPEN AGAINST A 10PSF SNOW LOAD IN NOT LESS THAN 2 SECONDS
- ⑥ **LATCH:** ZINC PLATED ROTARY LATCH ASSEMBLY DESIGNED TO HOLD COVERS CLOSED AGAINST 30 PSF WIND UPLIFT ZINC PLATED STEEL LATCH STRIKERS ON COVERS
- ⑦ **HINGES:** ZINC PLATED STEEL WITH STAINLESS STEEL HINGE PINS
- ⑧ **INSULATION:** 1" Polyiso curb (R5.6), 1" Polyiso cover (R5.6)
- ⑨ **GASKET:** ADHESIVE BACKED EPDM RUBBER EXTRUSION
- ⑩ **THERMAL RELEASE MECHANISM:** VENT COVERS OPEN THERMALLY BY HEAT AT FUSIBLE LINK TEMPERATURE 165F °F
- 11 **MANUAL OPERATION:** VENT COVERS OPEN WITH INTERNAL AND EXTERNAL MANUAL PULL HANDLES, 1/16" DIA SST CABLE, CLOSE VENT AT ROOFTOP OR WITH ELECTRICAL CONTROLLER
- ⑫ **ELECTRICAL CONTROL:** LINEAR ACTUATORS OPERATE THE DOORS OPEN AND CLOSED CONTROLLED BY A USER PUSH BUTTON STATION. SYSTEM CAN BE POWERED BY 24V DC OR 115/230VAC AT 50/60HZ.
- ⑬ **BURGLAR BARS:** None

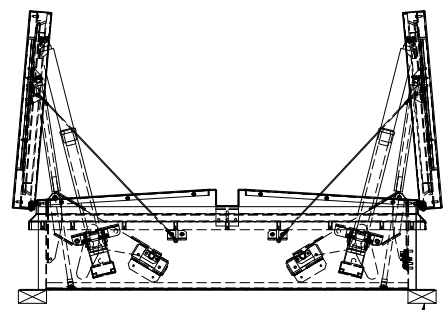
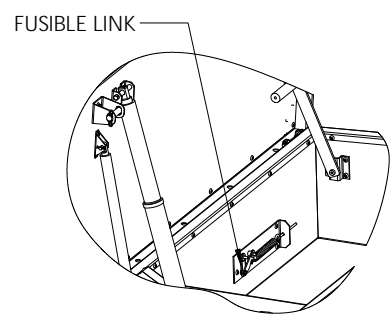
SMOKE VENT SIZE    "(WIDTH) x    "(LENGTH)  
EFFECTIVE VENTING AREA 80%

PROPRIETARY AND CONFIDENTIAL: THE INFORMATION CONTAINED IN THIS DRAWING IS THE SOLE PROPERTY OF NYSTROM. ANY REPRODUCTION IN PART OR AS A WHOLE WITHOUT THE WRITTEN PERMISSION OF NYSTROM IS PROHIBITED.

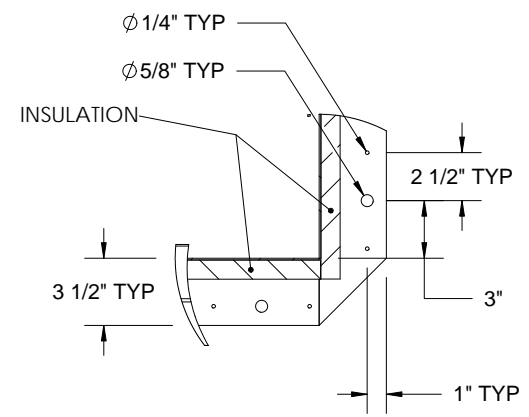
|  |      |                                 |              |
|--|------|---------------------------------|--------------|
| PROJECT:   |      |                                 |              |
| ARCHITECT:   |      |                                 |              |
| CONTRACTOR:  |      |                                 |              |
| QTY:   |      |                                 |              |
| PART#:   |      |                                 |              |
| <br>9300 73rd Avenue North<br>Minneapolis, MN 55428 |      | TITLE: Smoke Vent, SmokEscape   |              |
|  |      | Galvn, Gray Pwd, Sngl Wall Curb |              |
| NAME   | DATE | SIZE                            | DWG. NO.     |
| ELW  |      | A                               |              |
| RELEASED   | ELW  | WEIGHT: VARIES                  |              |
|  |      |                                 | REV<br>A     |
|  |      |                                 | SHEET 1 OF 2 |



### WIRING DIAGRAM



### SECTION C-C



### DETAIL D

|   |      |      |                |                                 |  |
|---|------|------|----------------|---------------------------------|--|
|   |      |      |                | TITLE: Smoke Vent, SmokEscape   |  |
| 9300 73rd Avenue North<br>Minneapolis, MN 55428 |      |      |                | Galvn, Gray Pwd, Sngl Wall Curb |  |
| NAME  | DATE | SIZE | DWG. NO.       | REV                             |  |
| DRAWN   | ELW  |      | A              | A                               |  |
| RELEASED  | ELW  |      | WEIGHT: VARIES | SHEET 2 OF 2                    |  |

PROPRIETARY AND CONFIDENTIAL: THE INFORMATION CONTAINED IN THIS DRAWING IS THE SOLE PROPERTY OF NYSTROM. ANY REPRODUCTION IN PART OR AS A WHOLE WITHOUT THE WRITTEN PERMISSION OF NYSTROM IS PROHIBITED.