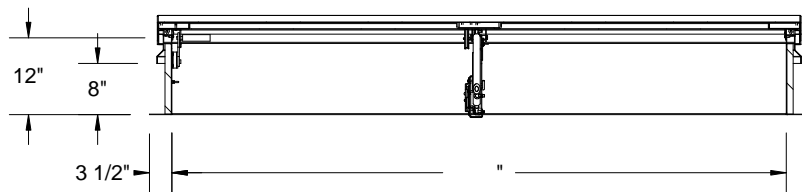
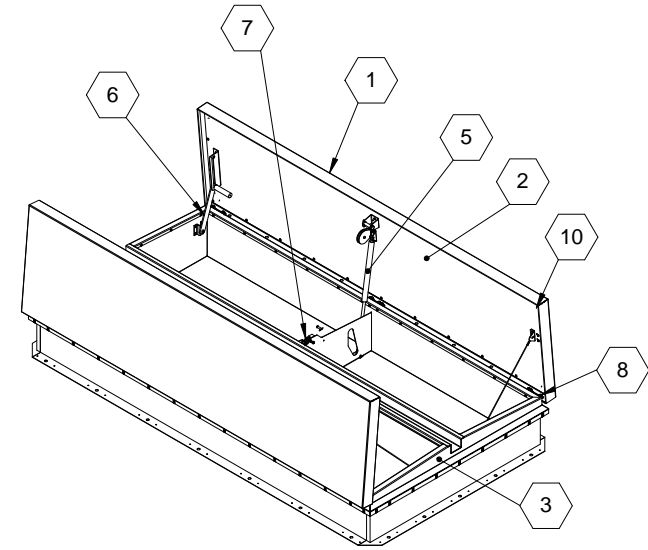
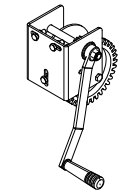


SECTION B-B



SECTION A-A



LOWER WINCH



SPECIFICATIONS:

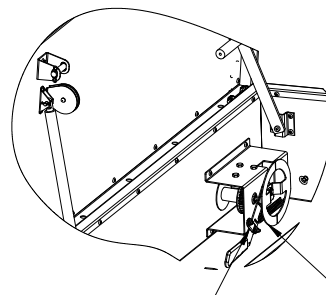
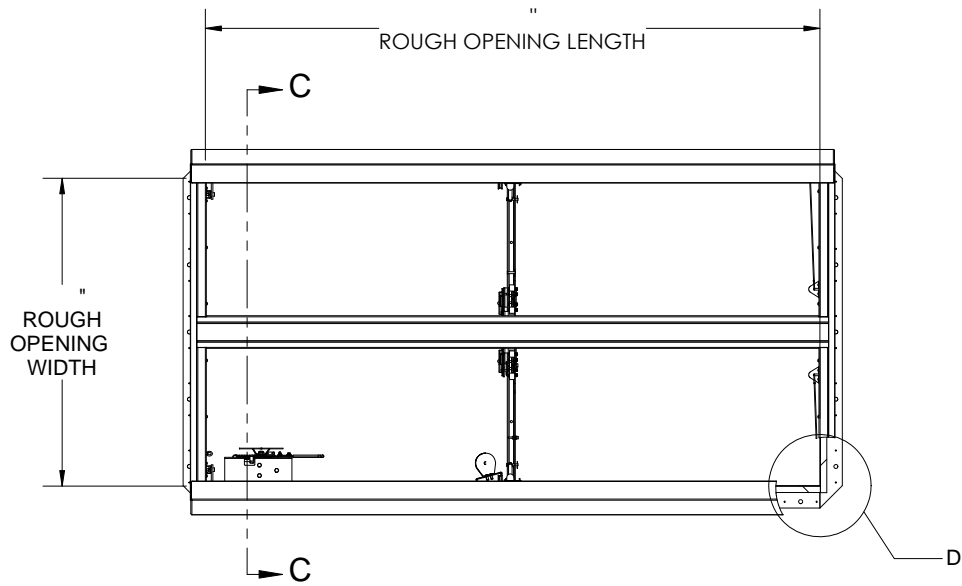
- ① COVER: 14 GAUGE GALVANNEAL COVER STIFFENED TO WITHSTAND A LIVE LOAD OF 40 PSF WITH A MAX DEFLECTION OF 1/150 OF THE SPAN
- ② LINER: 22 GAUGE GALVANNEAL
- ③ CURB AND COUNTERFLASH W/ EZ TAB:  
14 GAUGE GALVANNEAL
- ④ FINISH: COVER - Powder Coat, ANSI 70 Gray  
CURB - Powder Coat, ANSI 70 Gray
- ⑤ GAS SPRING WITH DAMPER: DESIGNED TO OPEN AGAINST A 10PSF SNOW LOAD IN NOT LESS THAN 2 SECONDS
- ⑥ HOLD OPEN ARM: LOCK COVER IN FULLY OPEN POSITION - ZINC PLATED STEEL
- ⑦ LATCH: ZINC PLATED ROTARY LATCH ASSEMBLY DESIGNED TO HOLD COVERS CLOSED AGAINST 90 PSF PSF WIND UPLIFT ZINC PLATED STEEL LATCH STRIKERS ON COVERS

- ⑧ HINGES: ZINC PLATED STEEL WITH STAINLESS STEEL HINGE PINS
- ⑨ INSULATION: 1" Polyiso curb (R5.6), 1" Polyiso cover (R5.6)
- ⑩ GASKET: ADHESIVE BACKED EPDM RUBBER EXTRUSION
- ⑪ THERMAL RELEASE MECHANISM: VENT COVERS OPEN THERMALLY BY HEAT AT FUSIBLE LINK TEMPERATURE 165F°F
- ⑫ MANUAL OPERATION: VENT COVERS OPEN WITH EXTERNAL MANUAL PULL HANDLE, 1/16" DIA SST CABLE AND VENT COVERS OPEN AND CLOSE WITH MANUAL WINCH, 100FT 1/8" DIA CABLE
- ⑬ ELECTRICAL RELEASE: NONE
- ⑭ BURGLAR BARS: None

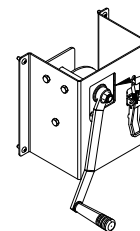
SMOKE VENT SIZE      "(WIDTH) x      "(LENGTH)  
EFFECTIVE VENTING AREA 80%

PROPRIETARY AND CONFIDENTIAL: THE INFORMATION CONTAINED IN THIS DRAWING IS THE SOLE PROPERTY OF NYSTROM. ANY REPRODUCTION IN PART OR AS A WHOLE WITHOUT THE WRITTEN PERMISSION OF NYSTROM IS PROHIBITED.

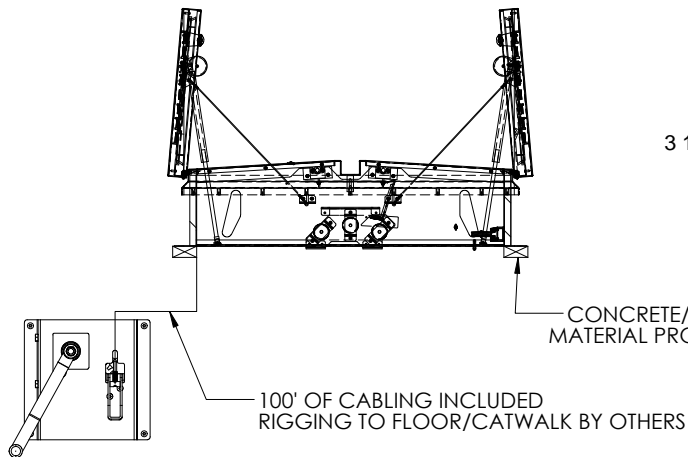
PROJECT:			
ARCHITECT:			
CONTRACTOR:			
QTY:			
PART#:			
 9300 73rd Avenue North Minneapolis, MN 55428		TITLE: Smoke Vent, SmokEscape, Galv, Gray Pwd,	
NAME	DATE	SIZE	DWG. NO.
DRAWN ELW	4/15/14	A	
RELEASED ELW	4/15/14	WEIGHT: VARIES	



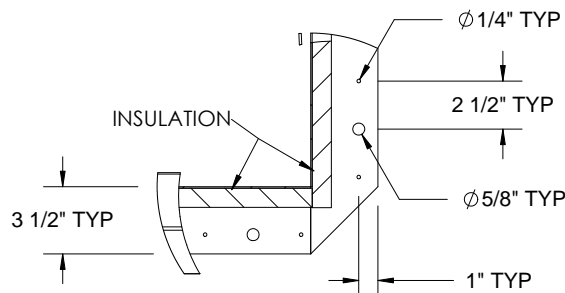
UPPER WINCH ASSEMBLY TO FACILITATE RESETING AFTER THERMAL/EXTERNAL/ELECTRICAL MANUAL RELEASE



LOWER WINCH ASSEMBLY TO MANUALLY OPEN AND CLOSE SMOKE VENTS



**SECTION C-C**



**DETAIL D**

				TITLE: Smoke Vent, SmokEscape, Galv, Gray Pwd,	
9300 73rd Avenue North Minneapolis, MN 55428					
	NAME	DATE	SIZE	DWG. NO.	REV
DRAWN	ELW	4/15/14	A		A
RELEASED	ELW	4/15/14	WEIGHT: VARIES		SHEET 2 OF 2