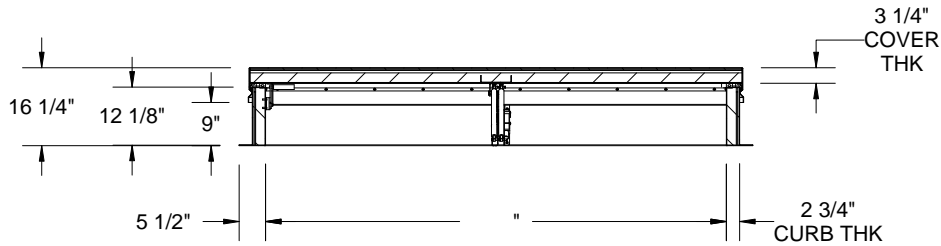
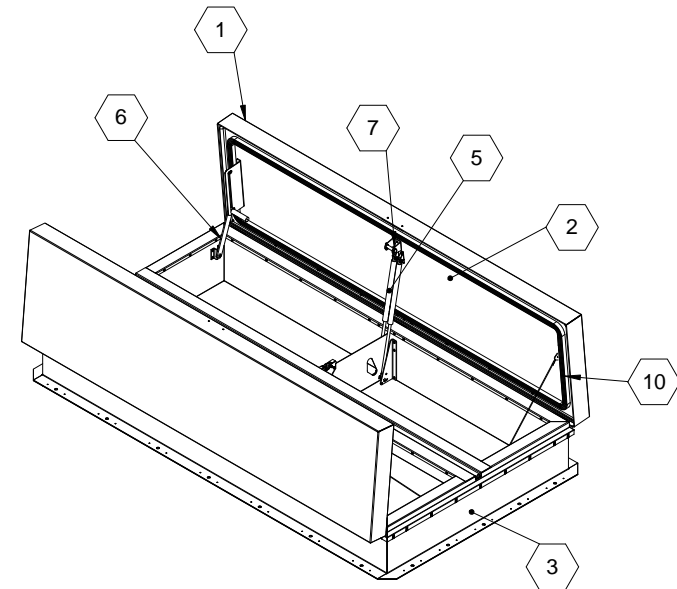


SECTION B-B



SECTION A-A

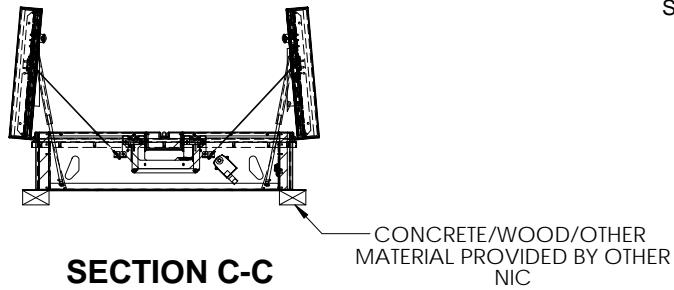
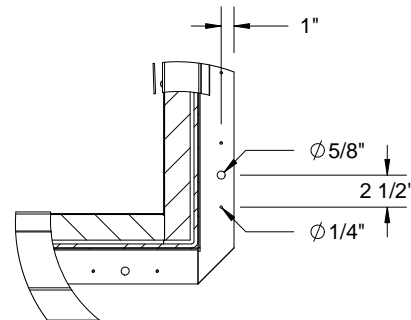
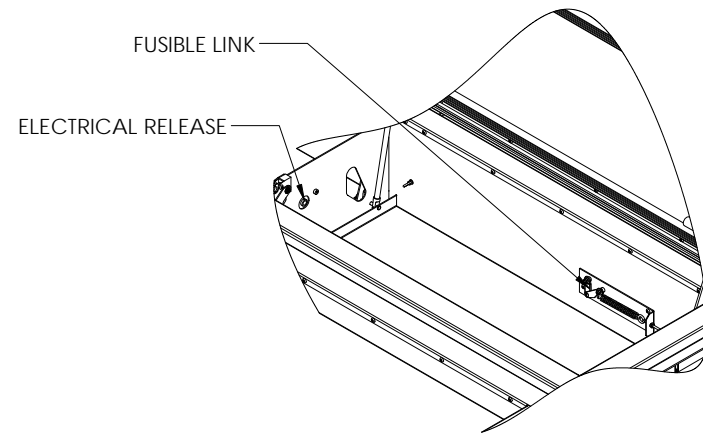
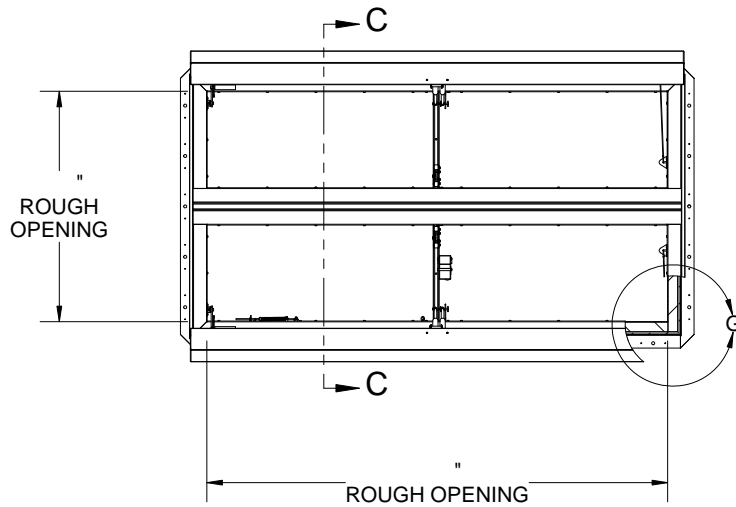
SPECIFICATIONS:

- ① COVER: 14 GAUGE GALVANNEAL COVER STIFFENED TO WITHSTAND A LIVE LOAD OF 40 PSF WITH A MAX DEFLECTION OF 1/150 OF THE SPAN
- ② LINER: 14 GAUGE GALVANNEAL
- ③ CURB AND COUNTERFLASH W/ EZ TAB: DBL WALL CURB, 14 GAUGE GALVANNEAL
- ④ FINISH: COVER - POWDER COAT, GRAY EXTERIOR, BLACK INTERIOR CURB - POWDER COAT, BLACK
- ⑤ GAS SPRING WITH DAMPER: DESIGNED TO OPEN AGAINST A 10PSF SNOW LOAD IN NOT LESS THAN 2 SECONDS
- ⑥ HOLD OPEN ARM: LOCKS COVER IN FULLY OPEN POSITION - ZINC PLATED STEEL
- ⑦ LATCH: ZINC PLATED ROTARY LATCH ASSEMBLY DESIGNED TO HOLD COVERS CLOSED AGAINST 90 PSF WIND UPLIFT ZINC PLATED STEEL LATCH STRIKERS ON COVERS
- ⑧ HINGES: 304 STAINLESS STEEL BUTT HINGE WITH 1/4" PIN
- ⑨ INSULATION: MINERAL WOOL W/ SOUND MAT, R-VALUE 10
- ⑩ GASKETS: ADHESIVE BACKED EPDM RUBBER EXTRUSION ON CURB AND COVER
- ⑪ THERMAL RELEASE MECHANISM: VENT COVERS OPEN THERMALLY BY HEAT AT FUSIBLE LINK TEMPERATURE 165F °F
- ⑫ MANUAL OPERATION: VENT COVERS OPEN WITH INTERNAL AND EXTERNAL MANUAL PULL HANDLES, 1/16" DIA SST CABLE, CLOSE VENT AT ROOFTOP
- ⑬ ELECTRICAL RELEASE: VENT COVERS OPEN ELECTRICALLY WHEN ENERGIZED WITH 24VAC/VDC
- ⑭ BURGLAR BARS: NONE
- ⑮ SOUND RATING: STC48 PER ASTME90, OITC 36 PER ASTME1332

PROPRIETARY AND CONFIDENTIAL: THE INFORMATION CONTAINED IN THIS DRAWING IS THE SOLE PROPERTY OF NYSTROM. ANY REPRODUCTION IN PART OR AS A WHOLE WITHOUT THE WRITTEN PERMISSION OF NYSTROM IS PROHIBITED.



PROJECT:				
ARCHITECT:				
CONTRACTOR:				
QTY:				
PART#:				
 9300 73rd Avenue North Minneapolis, MN 55428		TITLE: Smoke Vent, Acoustical STC48, Galv Steel, Black Pwd, Gray Pwd Cvr Ext, Dbl Wall Curb		
NAME	DATE	SIZE	DWG. NO.	REV
DRAWN ELW	4/15/14	A		A
RELEASED ELW	4/15/14	WEIGHT: VARIES		SHEET 1 OF 2



			TITLE: Smoke Vent, Acoustical STC48, Galv Steel, Black Pwd, Gray Pwd Cvr Ext, Dbl Wall Curb		
9300 73rd Avenue North Minneapolis, MN 55428					
	NAME	DATE	SIZE	DWG. NO.	REV
DRAWN	ELW	4/15/14	A		A
RELEASED	ELW	4/15/14	WEIGHT: VARIES		SHEET 2 OF 2