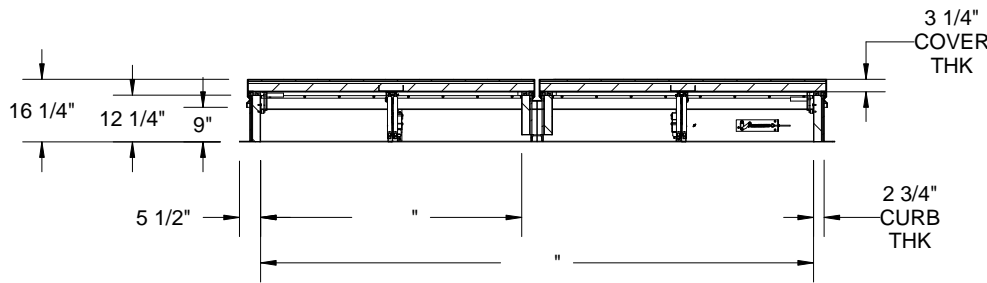
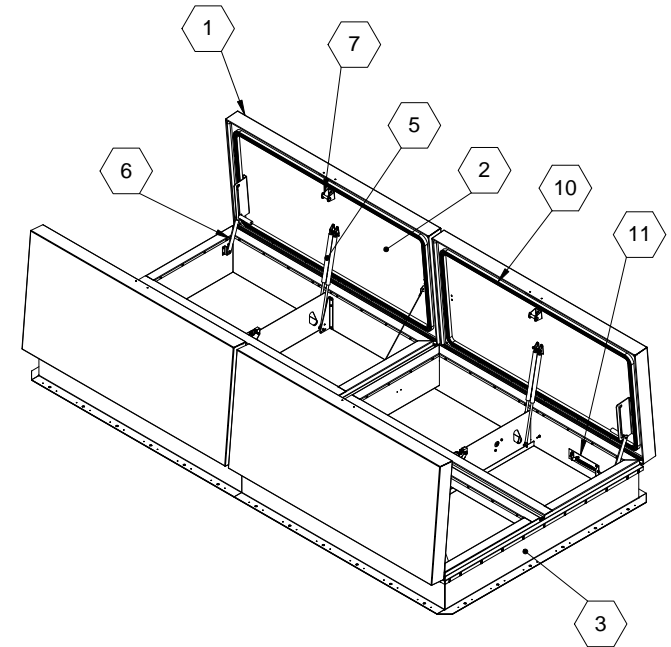


SECTION B-B



SECTION A-A



SPECIFICATIONS:

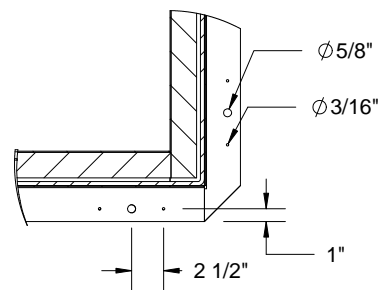
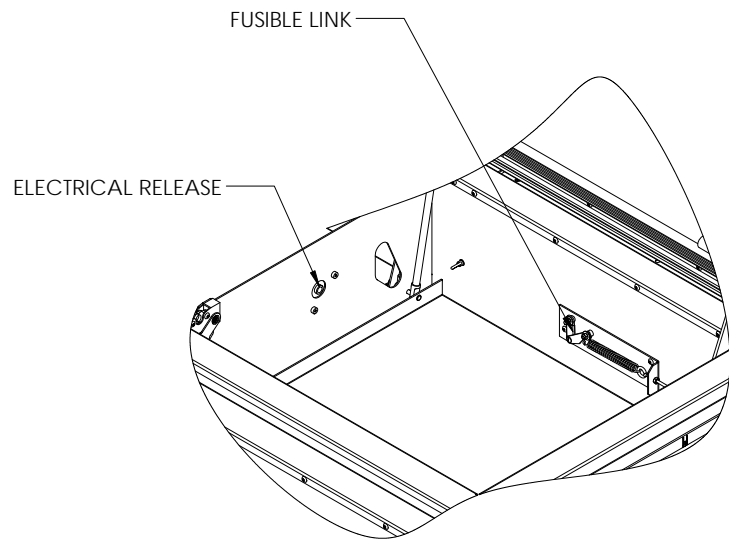
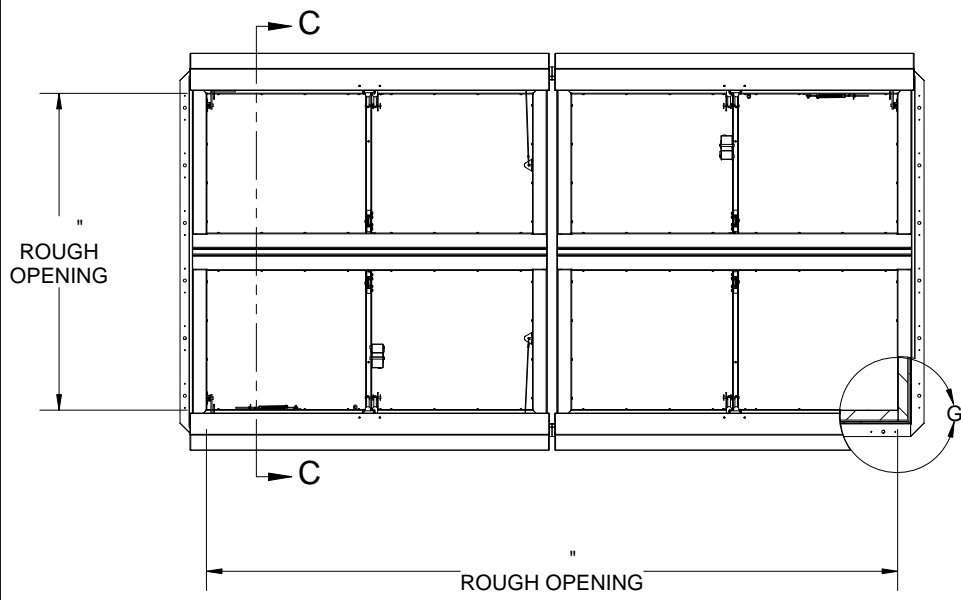
- ① **COVER:** 14 GAUGE GALVANNEAL COVER STIFFENED TO WITHSTAND A LIVE LOAD OF 40 PSF WITH A MAX DEFLECTION OF 1/150 OF THE SPAN
- ② **LINER:** 14 GAUGE GALVANNEAL
- ③ **CURB AND COUNTERFLASH W/ EZ TAB:** DBL WALL CURB, 14 GAUGE GALVANNEAL
- ④ **FINISH: COVER -** POWDER COAT, GRAY EXTERIOR, BLACK INTERIOR
CURB - POWDER COAT, BLACK
- ⑤ **GAS SPRING WITH DAMPER:** DESIGNED TO OPEN AGAINST A 10PSF SNOW LOAD IN NOT LESS THAN 2 SECONDS
- ⑥ **HOLD OPEN ARM:** LOCKS COVER IN FULLY OPEN POSITION - ZINC PLATED STEEL
- ⑦ **LATCH:** ZINC PLATED ROTARY LATCH ASSEMBLY DESIGNED TO HOLD COVERS CLOSED AGAINST 90 PSF WIND UPLIFT ZINC PLATED STEEL LATCH STRIKERS ON COVERS
- ⑧ **HINGES:** 304 STAINLESS STEEL BUTT HINGE WITH 1/4" PIN
- ⑨ **INSULATION:** MINERAL WOOL W/ SOUND MAT, R-VALUE 10
- ⑩ **GASKETS:** ADHESIVE BACKED EPDM RUBBER EXTRUSION ON CURB AND COVER
- ⑪ **THERMAL RELEASE MECHANISM:** VENT COVERS OPEN THERMALLY BY HEAT AT FUSIBLE LINK TEMPERATURE 165F °F
- ⑫ **MANUAL OPERATION:** VENT COVERS OPEN WITH INTERNAL AND EXTERNAL MANUAL PULL HANDLES, 1/16" DIA SST CABLE, CLOSE VENT AT ROOFTOP
- ⑬ **ELECTRICAL RELEASE:** VENT COVERS OPEN ELECTRICALLY WHEN ENERGIZED WITH 24VAC/VDC
- ⑭ **BURGLAR BARS:** NONE
- ⑮ **SOUND RATING:** STC48 PER ASTM E90, OITC 36 PER ASTM E1332

SMOKE VENT SIZE "(WIDTH) x "(LENGTH)
EFFECTIVE VENTING AREA 80%

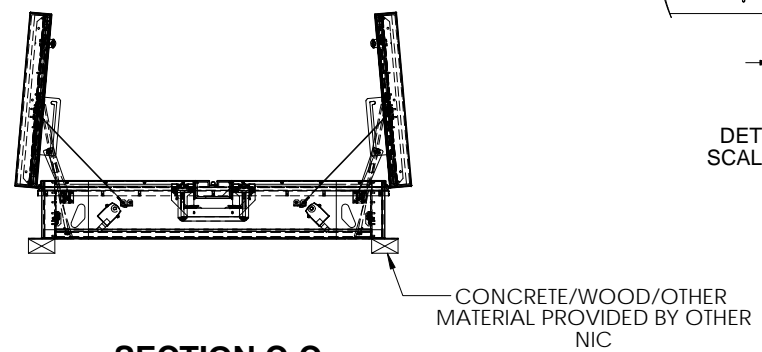


| | | | | |
|---|---------|--|----------|--------------|
| PROJECT: | | | | |
| ARCHITECT: | | | | |
| CONTRACTOR: | | | | |
| QTY: | | | | |
| PART#: | | | | |
| Right to site. 9300 73rd Avenue North Brooklyn Park, MN 55428 | | TITLE: Smoke Vent, Acoustical STC48, | | |
| | | Galvn Steel, Black Pwd, Gray Pwd Cvr Ext, Dbl Wall Curb, | | |
| NAME | DATE | SIZE | DWG. NO. | REV |
| DRAWN ELW | 4/15/14 | A | | A |
| RELEASED ELW | 4/15/14 | WEIGHT: VARIES | | SHEET 1 OF 2 |

PROPRIETARY AND CONFIDENTIAL: THE INFORMATION CONTAINED IN THIS DRAWING IS THE SOLE PROPERTY OF NYSTROM. ANY REPRODUCTION IN PART OR AS A WHOLE WITHOUT THE WRITTEN PERMISSION OF NYSTROM IS PROHIBITED.



DETAIL G
SCALE 1 : 15



SECTION C-C

| | | | | | |
|--|------|---------|--|----------|--------------|
| <p>Right to site. 9300 73rd Avenue North Brooklyn Park, MN 55428</p> | | | <p>TITLE: Smoke Vent, Acoustical STC48, Galvn Steel, Black Pwd, Gray Pwd Cvr Ext, Dbl Wall Curb,</p> | | |
| | NAME | DATE | SIZE | DWG. NO. | REV |
| DRAWN | ELW | 4/15/14 | A | | A |
| RELEASED | ELW | 4/15/14 | WEIGHT: VARIES | | SHEET 2 OF 2 |

PROPRIETARY AND CONFIDENTIAL: THE INFORMATION CONTAINED IN THIS DRAWING IS THE SOLE PROPERTY OF NYSTROM. ANY REPRODUCTION IN PART OR AS A WHOLE WITHOUT THE WRITTEN PERMISSION OF NYSTROM IS PROHIBITED.