

9300 73rd Ave N.
Brooklyn Park, MN 55428

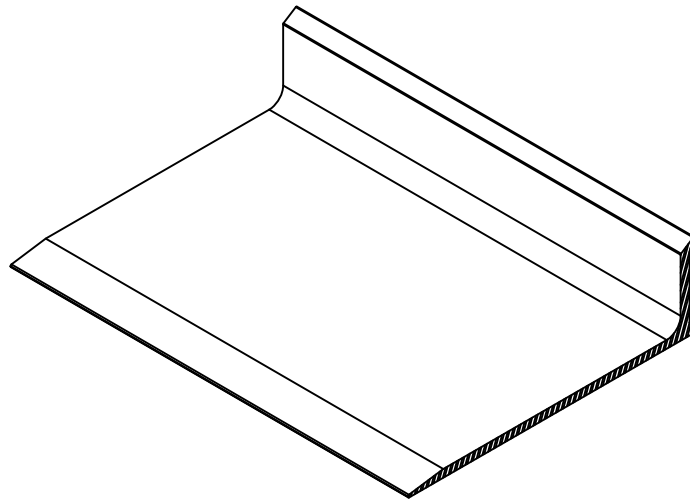
Toll-Free: 800-547-2635
Fax 800-317-8770



Right to site.

Direct Phone: 763-488-9200
Direct Fax: 763-488-9201

e-mail: info@nystrom.com
Internet: www.nystrom.com



Cover Plate – SW Series

The following installation procedure is very important and must be fully understood prior to beginning any work. To ensure proper installation and performance of expansion joint system the following actions must be completed by the installing contractor. Failure to do so will affect product warranty.

- 1) Carefully read and understand installation procedure. Contact Technical Service Department for product assistance.
- 2) Inspect all shipments and materials for missing or damaged components and hardware. Contact Customer Service with order number and invoice for prompt assistance.
- 3) Inspect substrate or adjacent construction for acceptance before beginning work. Report unacceptable construction to the project manager for scheduled repair work.

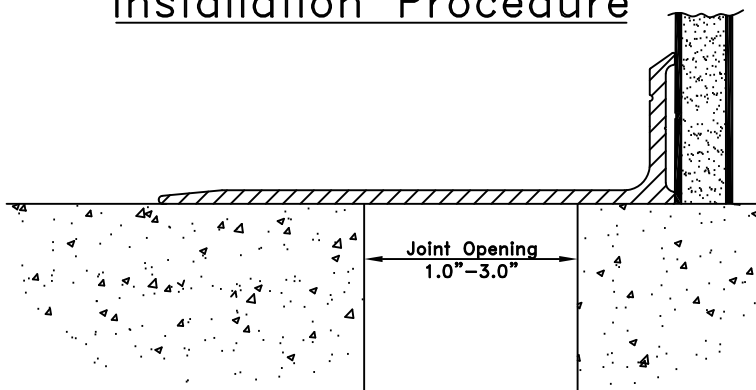
PN: 26733A

Standard Components

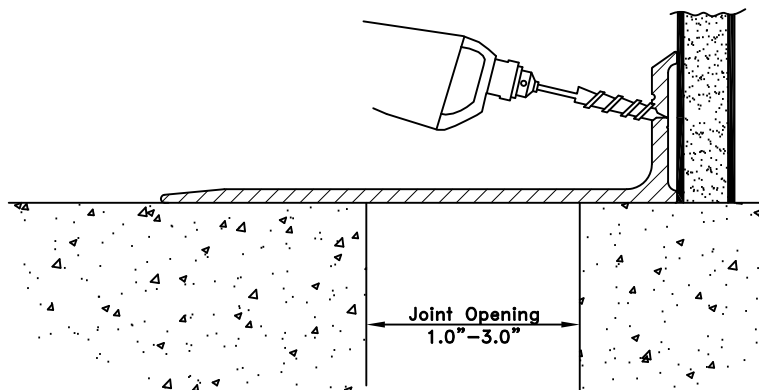


Floor to Wall Extrusion
Part Number-2685

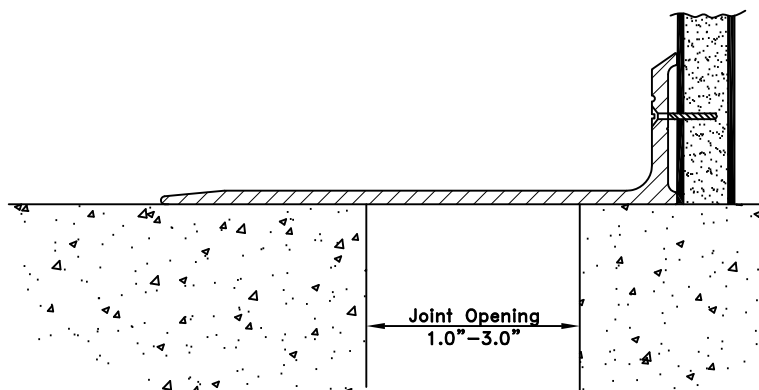
Installation Procedure



- 1 Position aluminum extrusion as shown and mark for 1/4" anchor (supplied by others) spaced at 18" O.C.



- 2 Drill and clean out holes for 1/4" anchor (supplied by others) spaced at 18" O.C.



- 3 Insert 1/4" anchors into holes and fasten cover plate to the finished surface.