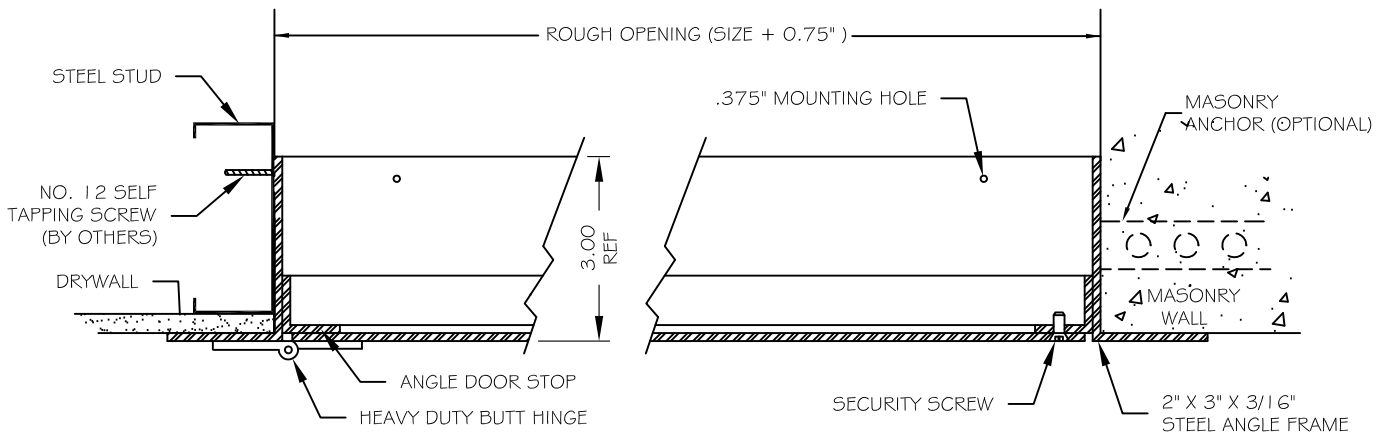


### SPECIFICATIONS

- 2" X 3" X 3/16" (51mm X 76mm X 4.8mm) STEEL ANGLE FRAME
- 1" X 1" X 1/8" (25mm X 25mm X 3.2mm) STEEL ANGLE DOOR STOP
- 7 GAUGE FORMED STEEL DOOR
- ALL EXPOSED JOINTS WELDED, FILLED AND GROUND SMOOTH
- WHITE BAKED ON POWDER COAT FINISH
- 4" X 4" (102mm X 102mm) BUTT HINGE WELDED TO DOOR AND FRAME
- FLATHEAD PINNED TORX SECURITY SCREW(S) (SCREW QUANTITY DEPENDENT ON SIZE OF ACCESS DOOR)

FRONT ELEVATION  
NOT TO SCALE



A  
A  
CUT-THRU SECTION  
NOT TO SCALE

Standard Features:

- Door: 7 gauge (4.55mm thick) formed hot rolled steel
  - Frame: 2 x 3 x 3/16" (50.8mm x 76.2mm x 4.76mm) steel angle
  - Hinge: Heavy duty butt hinges  
Optional: continuous piano hinge
  - Latch: Flathead pinned torx security screw(s) (screw quantity dependent upon size of access door)
  - Finish: Gray baked on powder coat
- 

Specifications:

Frame shall be 2 x 3 x 3/16" (50.8mm x 76.2mm x 4.76mm) steel angle. Door shall be fabricated from 7 gauge (4.55 mm thick) formed hot rolled steel. Hinges shall be heavy duty butt type hinges (optional: continuous piano type hinge). Latch(es) shall be flathead pinned torx security screw(s) (screw quantity dependent upon size of access door). Finish shall be gray baked on powder coat.

Installation shall be in accordance with manufacturers instructions. Manufacturer shall guarantee against defects in material and workmanship for a period of one year.

---

Standard Sizes:

Std Sizes (in)	Std Sizes (mm)	Weight
12x12	305x305	40
16x16	406x406	51
18x18	457x457	56
22x30	559x762	79
24x24	610x610	75
24x36	610x914	99
24x40	610x1016	130
24x48	610x1219	140
36x36	914x914	137

All units are hinged on the second dimension (height). Rough opening is door size plus 3/4".