

6-1/4" ACCENT STRIP HANDRAIL WITH THUMB GRIP

Model(s): HRVE625

GENERAL DESCRIPTION



Nystrom's 6-inch Accent Strip Handrail with a thumb grip is constructed to withstand impact with built in crash protection. Designed with sturdy mounting brackets to maintain wall clearance and stability while providing support in medium- to high-impact areas. This three-piece vinyl handrail allows for hundreds of color combinations while providing durable, attractive aesthetics.

Introduction + Safety

Please read the complete instructions carefully before beginning any work. To ensure proper installation and performance of the Handrail, the following actions must be completed by the installing contractor. Failure to do so will affect product warranty.

GENERAL SAFETY PRECAUTIONS Improper selection, installation, or use can cause personal injury or property damage. It is solely the responsibility of the user, through its own analysis to select products suitable for their specific application requirements, ensure they are properly maintained, and limit their use to its intended purpose. Follow proper local, state and federal regulations for proper installation and operation requirements.

Transportation + Storage

- Inspect all shipments and materials for missing or damaged components and hardware.
- Material must be stored in a clean, dry location.

INSTALLATION

1. Lay out the work to be completed, including all component parts, along the base of the wall. Check the material for any damage that may have occurred during shipment and/or handling at the job site.
2. Snap a chalk line at the proper location on the wall to ensure a level installation. Chalk line should be calculated to the center line of the mounting bracket wall fasteners.

3. Place the retainer in the proper position on the chalk line and mark hole locations using the proper bit size for fasteners.

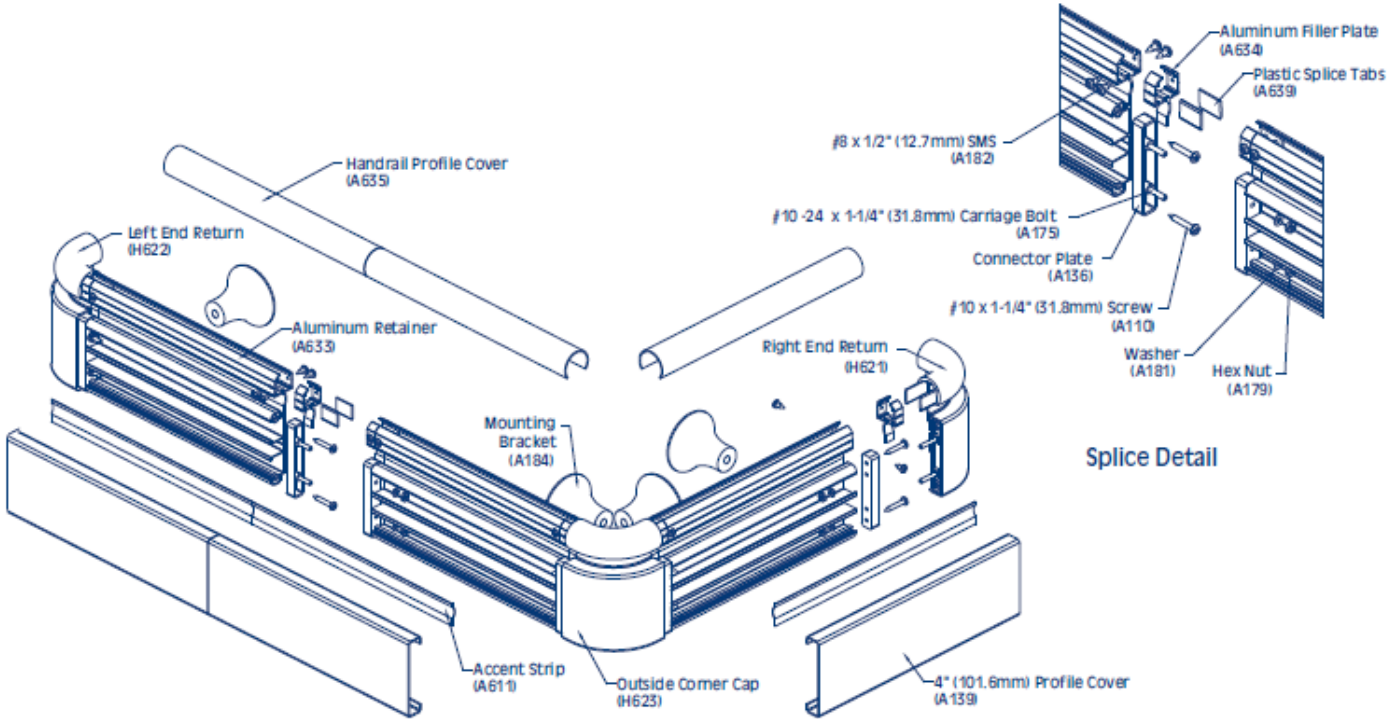
Note: All crash rail and handrail material is provided in 20'-0" stock lengths to be cut in the field. An 80-100 tooth, carbide tip saw blade or equivalent is recommended for cutting the material to minimize chipping. The aluminum retainer has been supplied in stock lengths; it will be necessary for it to be field cut. Determine the allowances necessary for door jambs, corner conditions, etc. Cut retainer to proper length. Drill 9/32" holes at I.D. mark on retainer 3" in from each end and all intermediate locations not to exceed 32" O.C.

4. Insert tabs on returns and corners into retainers, clamp into place, and secure with manufacturer-provided #8 x 1/2" sheet metal screws or 1/8" pop rivets.
5. Assemble retainers. Splice abutting retainer lengths, if any, using manufacturer-provided splices and screws; abut tightly to achieve hairline joints.
6. Mount assembly to wall using 1/4" x 4" fastener (not included). Feed fastener through retainer and mounting bracket. Attach and feed through wall. Tighten securely.

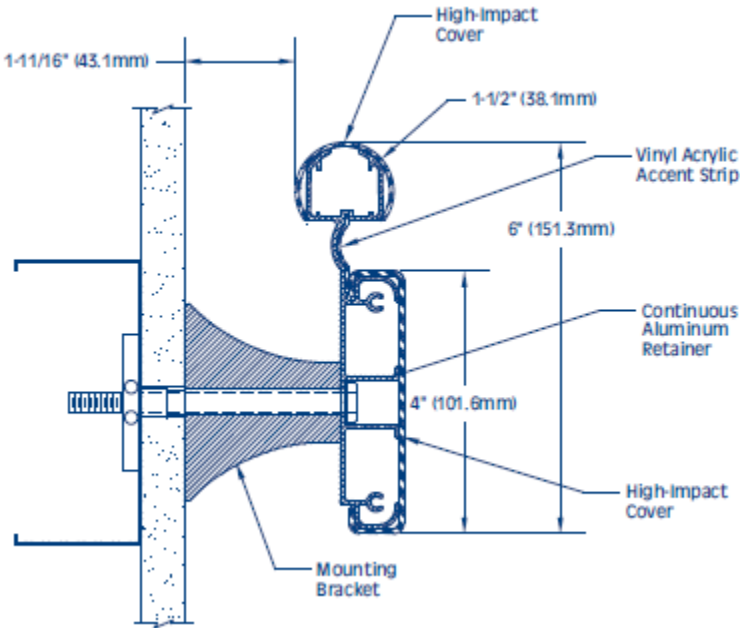
Note: Prior to installation of the cover, make sure that all fasteners are secure and properly seated.

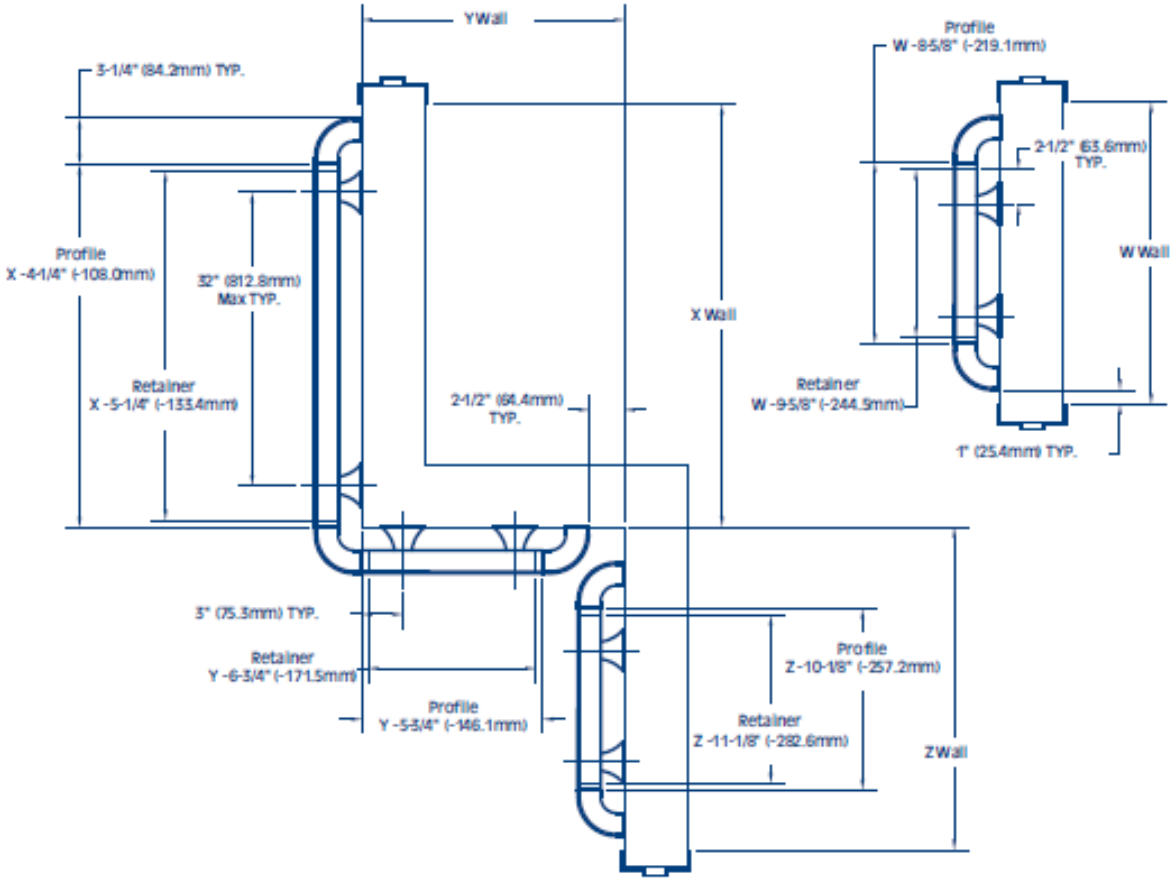
7. Install cover. Carefully locate cover joints so that they are not directly over retainer splices, as this can create improper alignment of adjacent cover lengths. Measure and cut cover lengths to fit between returns and corners exactly. Use longest practical lengths to minimize number of joints. Do not align cover joints directly over retainer joints. Secure cover lengths to retainer by hooking 4" square cover over retainer top and snapping over retainer bottom, pushing 1-1/2" round cover down over the top of the retainer, and sliding lengths of accent strip into retainer slot from one end. Make all joints neat and hairline tight.
8. If you have any questions during installation, please contact Nystrom.

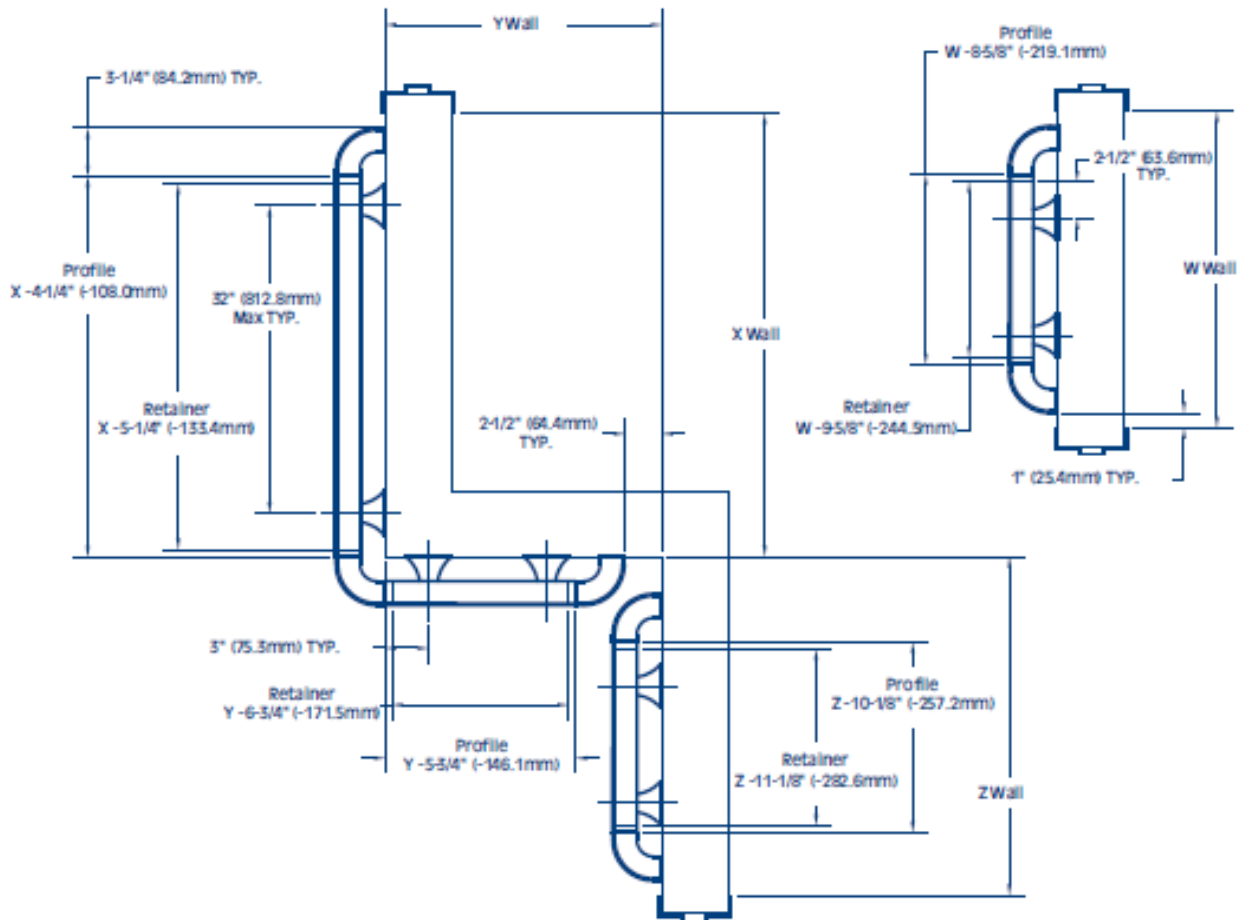
Assembly drawing shown for model HRVE55C



Assembly Drawing







OPERATION

Handrails are designed for years of wall protection. Perform annual inspections to ensure proper fitment and performance.

MAINTENANCE

- Use mild detergent to clean soiled surfaces. Pen marks, paint and graffiti generally wash off easily with mild soap and water. Completely rinse the surface with clean water when complete.
Note: Powdered cleansers and bleach cleaners should be used with care as they may leave a residue embedded in the cover surface. Properly rinsing with clean water will remove any residual residue.
- Tough marks or stains may require a heavy-duty cleaner such as “Crown Anti-Vandal Spray” or “DWR-II”. These specialized spot cleaners should only be used on small areas and tested for color fastness prior to applying in a highly visible area. Rinse thoroughly with clean water to remove the residue from these cleaners.

QUESTIONS?

For more information on installation, repair or replacement, please visit www.Nystrom.com.