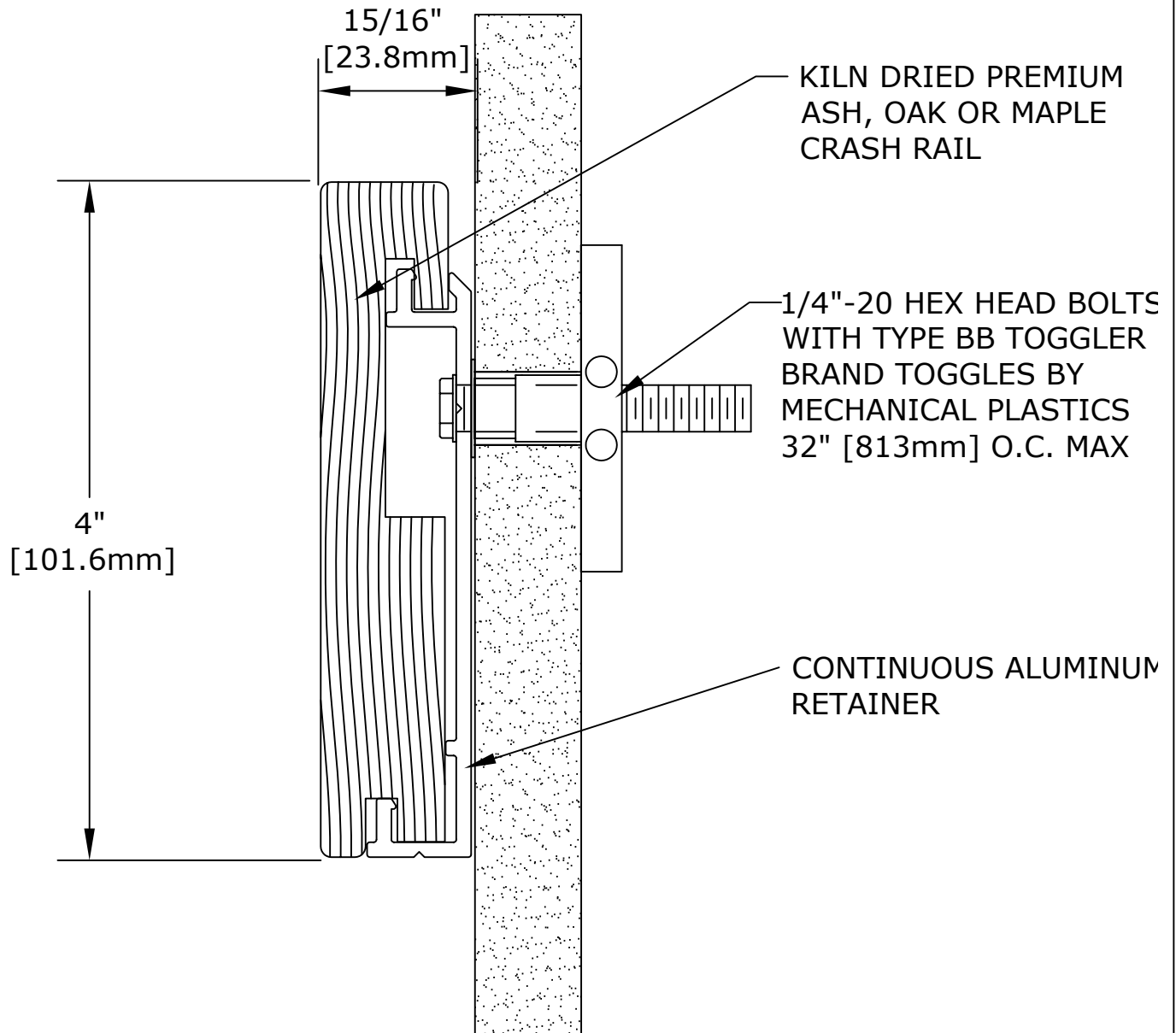


EnvIRONwood™ Integrated Wood Wall Protection Systems



CRASH RAIL WCRS-4

IMPORTANT: USER SHALL VERIFY CONFORMANCE OF ALL CONSTRUCTIONS SHOWN WITH LOCAL CODES AND WITH REQUIREMENTS OF METAL STUD MANUFACTURER FOR RATINGS. FASTENERS AND PARTITION COMPONENTS NOT BY ARDEN ARCHITECTURAL SPECIALTIES, INC.

CRASH RAIL

DATE:

SCALE:

GENERAL SPECIFICATIONS:

ALUMINUM BUMPER RETAINER: ALUMINUM ALLOY TYPE 6063-T5
 CRASH RAIL: FOREST STEWARDSHIP COUNCIL (FSC) CERTIFIED KILN-DRIED
 PREMIUM ASH, OAK, OR MAPLE, FURNISHED IN 6'-14' [1.83M-4.27M] RANDOM
 LENGTHS.
 RETURNS OF THE SAME WOOD TYPE AS CRASH RAIL.
 FINISH: STAINED OR CLEAR FINISH. SEALED AND FINISHED WITH TWO COATS OF
 WATER WHITE CONVERSION VARNISH.

PROJECT:

ARCHITECT:

CONTRACTOR:

REPRESENTATIVE:



CUSTOMER:

CUST. NO:

JOB NO:

SHEET OF