

9300 73rd Ave N.
Brooklyn Park, MN 55428

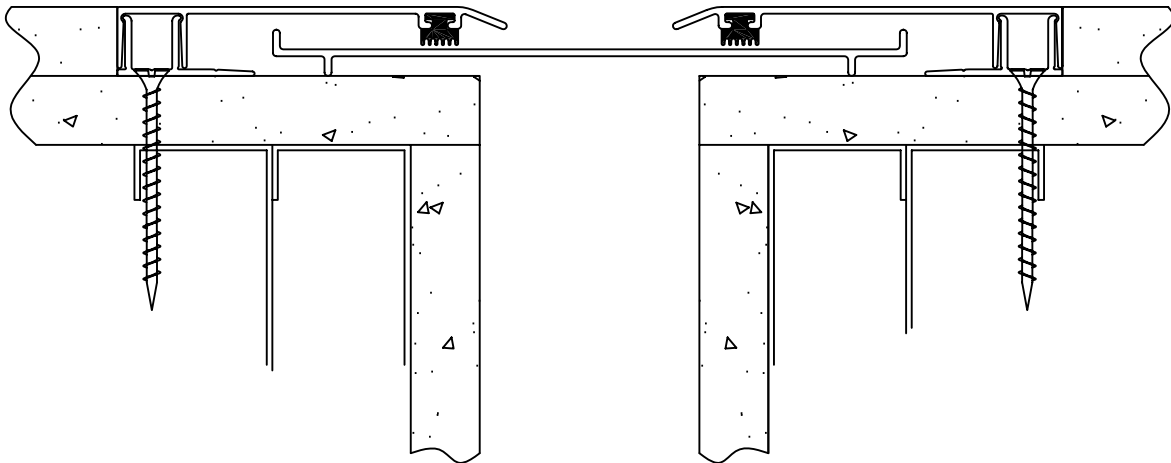
Toll-Free: 800-547-2635
Fax 800-317-8770



Right to site.

Direct Phone: 763-488-9200
Direct Fax: 763-488-9201

e-mail: info@nystrom.com
Internet: www.nystrom.com



Glide Plate – Professional Series Model(s) "EJ-WCS" 100-600 Vertical Expansion Control Systems

The following installation procedure is very important and must be fully understood prior to beginning any work. To ensure proper installation and performance of expansion joint system the following actions must be completed by the installing contractor. Failure to do so will affect product warranty.

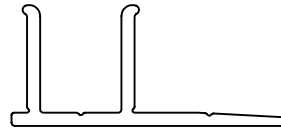
- 1) Carefully read and understand installation procedure. Contact Technical Service Department for product assistance.
- 2) Inspect all shipments and materials for missing or damaged components and hardware. Contact Customer Service with order number and invoice for prompt assistance.
- 3) Inspect substrate or adjacent construction for acceptance before beginning work. Report unacceptable construction to the project manager for scheduled repair work.

PN: N20135

Standard Components

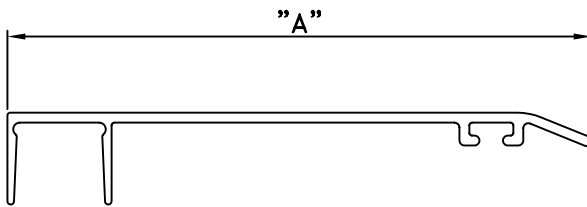


PVC Gasket
P/n: 2838



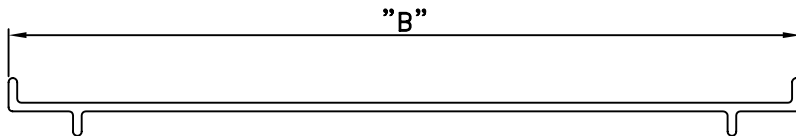
Base Extrusion
P/n: 11862

Components shown below vary in size depending on model of system



Anodized Aluminum Face Extrusion
(Refer to Chart for size and P/N's)

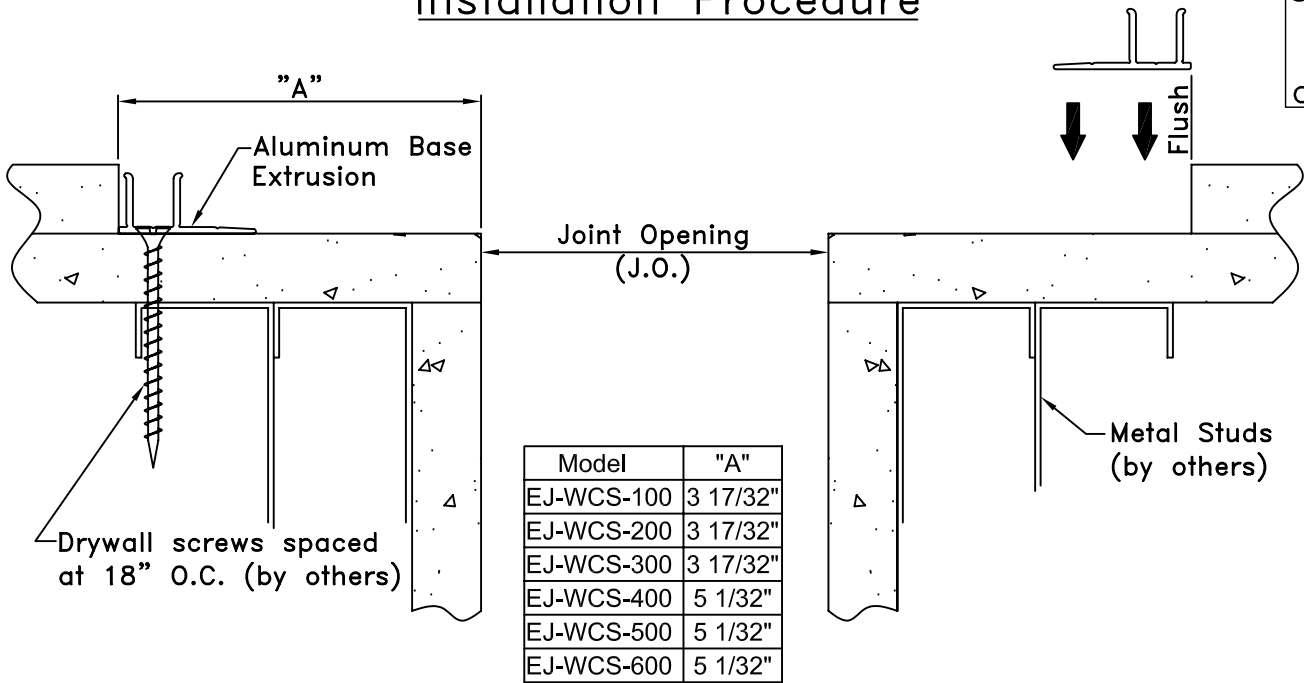
Model	"A"	P/n
EJ-WCS-100	3 17/32"	11854
EJ-WCS-200	3 17/32"	11854
EJ-WCS-300	3 17/32"	11854
EJ-WCS-400	5 1/32"	11860
EJ-WCS-500	5 1/32"	11860
EJ-WCS-600	5 1/32"	11860



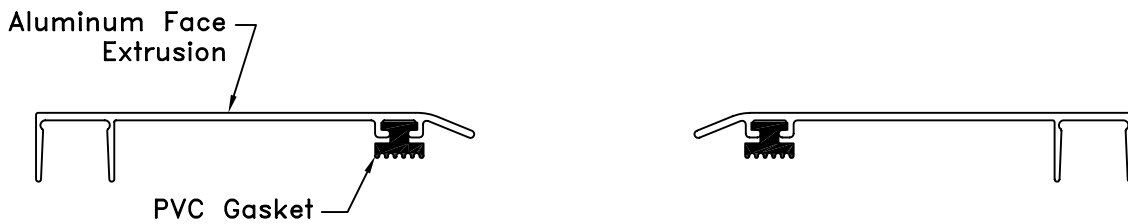
Anodized Aluminum Slide Plate
(Refer to Chart for size and P/N's)

Model	"B"	P/n
EJ-WCS-100	5 3/4"	11855
EJ-WCS-200	5 3/4"	11855
EJ-WCS-300	5 3/4"	11855
EJ-WCS-400	10 1/4"	11861
EJ-WCS-500	10 1/4"	11861
EJ-WCS-600	10 1/4"	11861

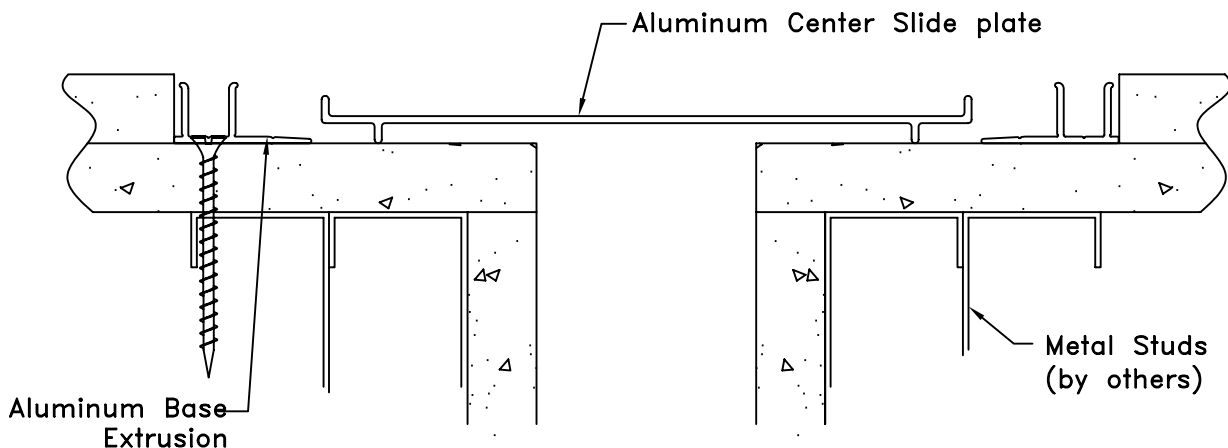
Installation Procedure



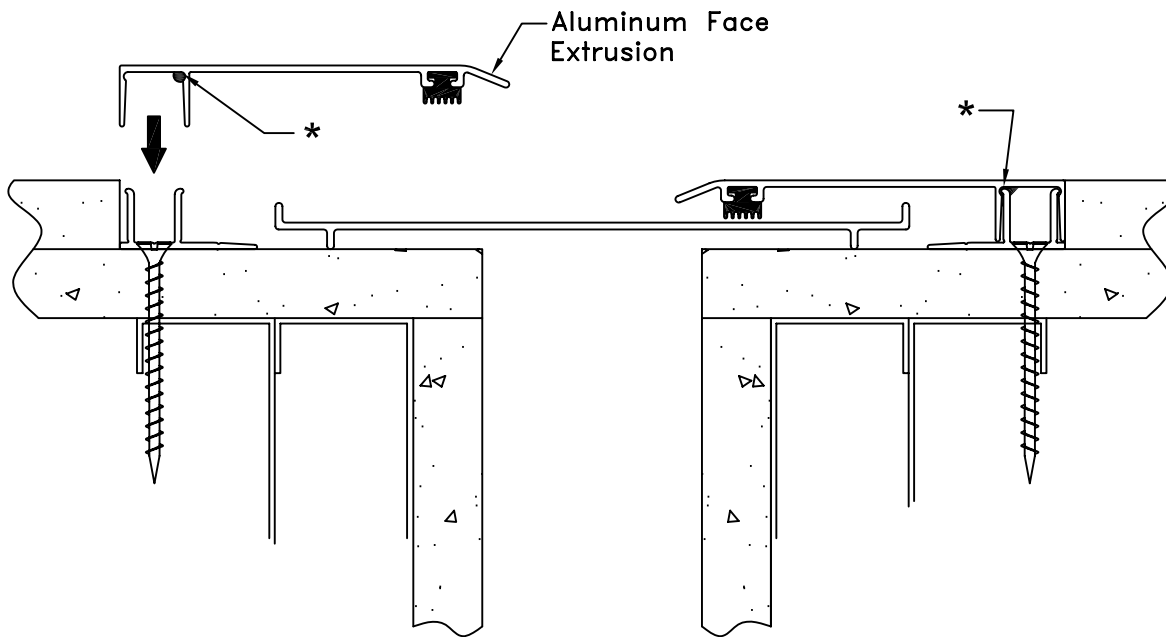
- 1 Position Aluminum Base Extrusion flush with Joint Opening. Field drill holes through the base extrusion and metal stud spaced at 18" O.C. Once the holes have been drilled, fasten base extrusion to wall with drywall screws (by others).



- 2 Cut PVC Gasket material to length and slide the gasket into groove on the Aluminum Face Extrusion.



- 3 Position and center Aluminum Slide Plate against the base of the blockout.



4

Apply Continuous Bead (start 1.2" from either end) of Dow Corning 795 Gray Sealant Adhesive where indicated.

Align Aluminum Face Extrusion with Gasket material in front of Base extrusion. Using the palm of your hand, gently tap Aluminum Face extrusion onto the Aluminum base extrusion. When installing, exercise care not to damage face extrusion.