

9300 73rd Ave N.
Brooklyn Park, MN 55428

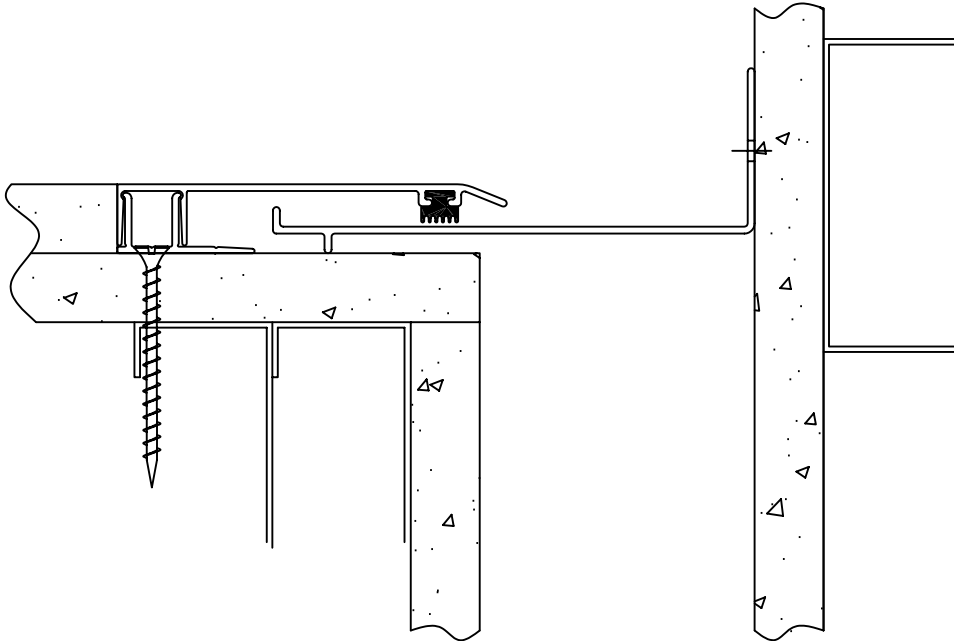
Toll-Free: 800-547-2635
Fax 800-317-8770



Right to site.

Direct Phone: 763-488-9200
Direct Fax: 763-488-9201

e-mail: info@nystrom.com
Internet: www.nystrom.com



Glide Plate II – Professional Series
Model(s) "EJ-WCS" 100-600W
Size 800 similar
Vertical Expansion Control Systems

The following installation procedure is very important and must be fully understood prior to beginning any work. To ensure proper installation and performance of expansion joint system the following actions must be completed by the installing contractor. Failure to do so will affect product warranty.

- 1) Carefully read and understand installation procedure. Contact Technical Service Department for product assistance.
- 2) Inspect all shipments and materials for missing or damaged components and hardware. Contact Customer Service with order number and invoice for prompt assistance.
- 3) Inspect substrate or adjacent construction for acceptance before beginning work. Report unacceptable construction to the project manager for scheduled repair work.

PN: N20242

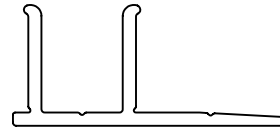
Standard Components



#10 x 2" Lg Phillips
Head S.S. Tek Screw
P/n: 5832

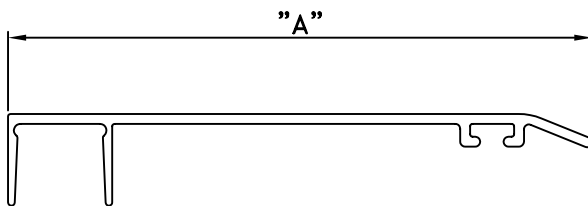


PVC Gasket
P/n: 2838



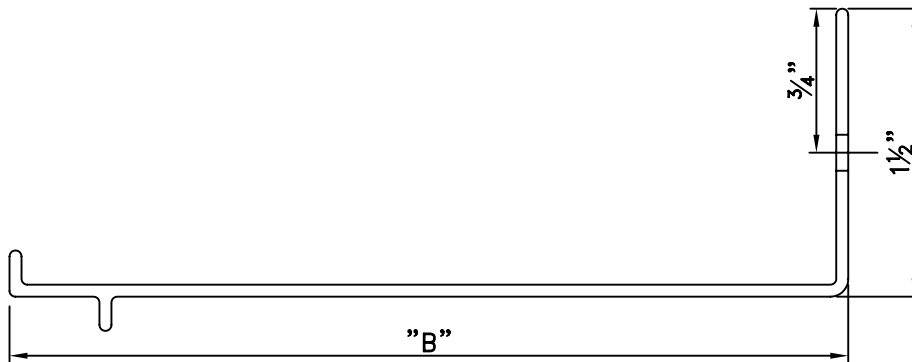
Base Extrusion
P/n: 11862

Components shown below vary in size depending on model of system



Anodized Aluminum Face Extrusion
(Refer to Chart for size and P/N's)

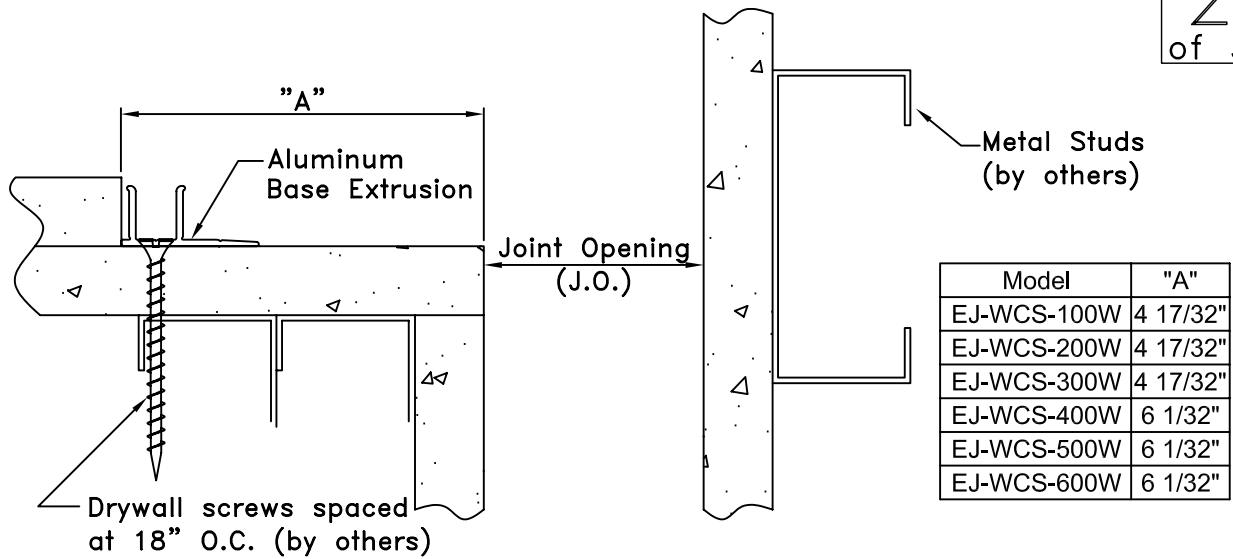
Model	"A"	P/n
EJ-WCS-100W	4 17/32"	11856
EJ-WCS-200W	4 17/32"	11856
EJ-WCS-300W	4 17/32"	11856
EJ-WCS-400W	6 1/32"	11863
EJ-WCS-500W	6 1/32"	11863
EJ-WCS-600W	6 1/32"	11863



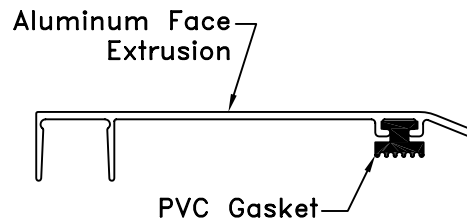
Anodized Aluminum Corner Slide Plate
(Refer to Chart for size and P/N's)

Model	"B"	P/n
EJ-WCS-100W	4 3/8"	11857
EJ-WCS-200W	4 3/8"	11857
EJ-WCS-300W	4 3/8"	11857
EJ-WCS-400W	8 1/8"	11864
EJ-WCS-500W	8 1/8"	11864
EJ-WCS-600W	8 1/8"	11864

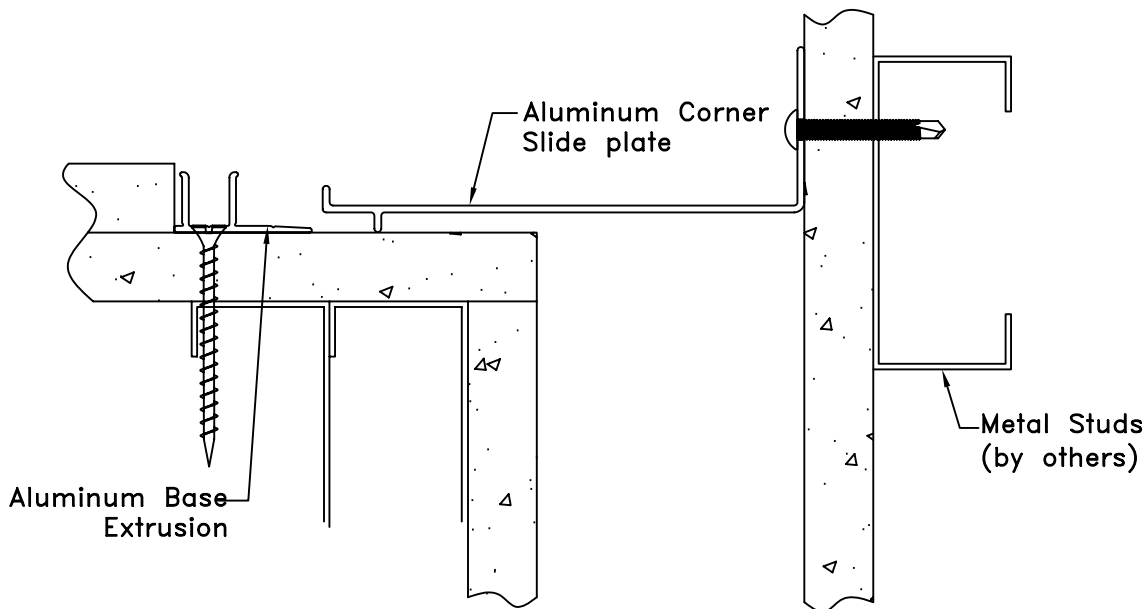
Installation Procedure



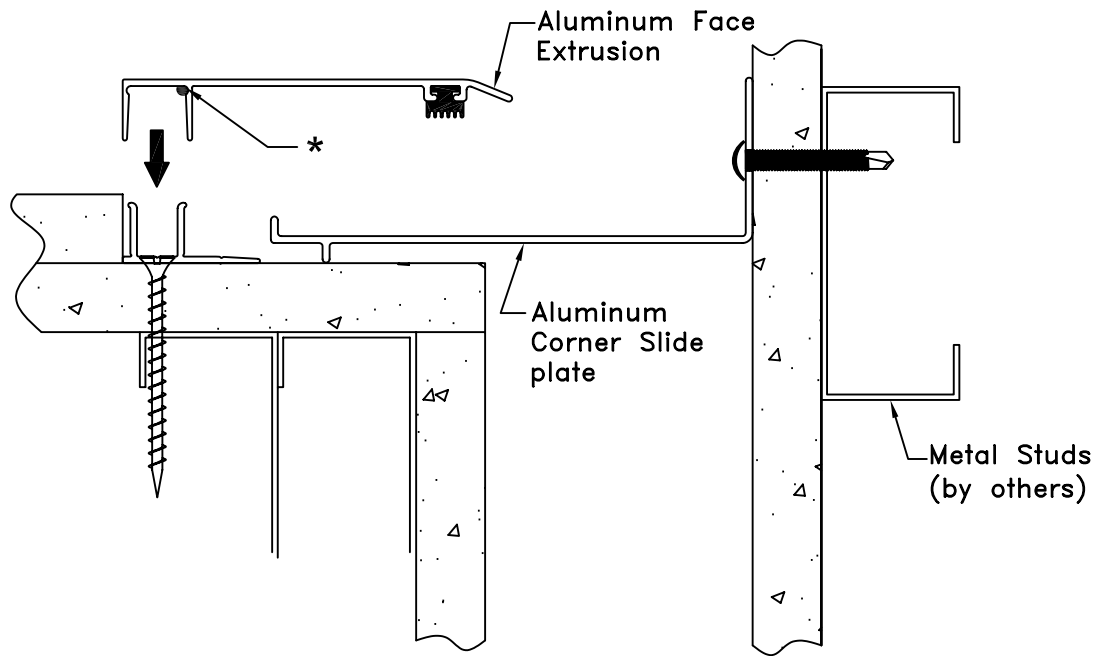
- 1 Position Aluminum Base Extrusion flush with Joint Opening. Field drill holes through the base extrusion and metal stud spaced at 18" O.C. Once the holes have been drilled, fasten base extrusion to wall with drywall screws (by others).



- 2 Cut PVC Gasket material to length and slide the gasket into groove on the Aluminum Face Extrusion.



- 3 Position Aluminum Corner Slide Plate against the wall structure. After Corner slide plate location has been marked, fasten slide plate against wall with S.S. Tek Screw (P/n:5832).



4

Apply Continuous Bead (start 1.2" from either end) of Dow Corning 795 Gray Sealant Adhesive where indicated.

Align Aluminum Face Extrusion with Gasket material in front of Base extrusion. Using the palm of your hand or rubber mallet, gently tap Aluminum Face extrusion onto the Aluminum base extrusion. When installing, exercise care not to damage face extrusion.