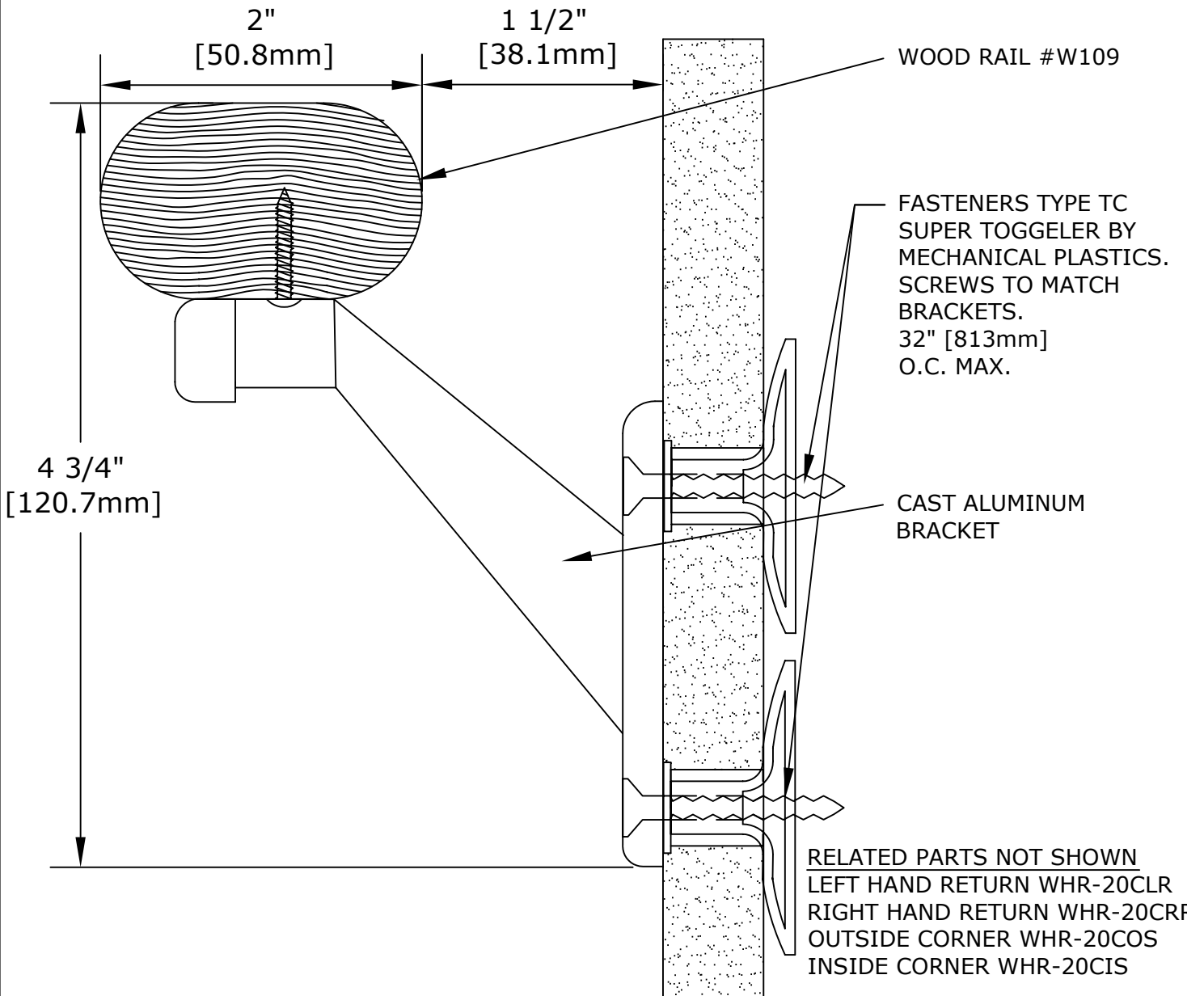


# EnvIRONwood™ Integrated Wood Wall Protection Systems



## HANDRAIL SYSTEM WHR-20

IMPORTANT: USER SHALL VERIFY CONFORMANCE OF ALL CONSTRUCTIONS SHOWN WITH LOCAL CODES AND WITH REQUIREMENTS OF METAL STUD MANUFACTURER FOR RATINGS. FASTENERS AND PARTITION COMPONENTS NOT BY ARDEN ARCHITECTURAL SPECIALTIES, INC.

HANDRAILS	DATE:	SCALE:
-----------	-------	--------

<p><b>GENERAL SPECIFICATION</b></p> <p><b>HAND RAIL :</b> FOREST STEWARDSHIP COUNCIL (FSC) CERTIFIED KILN DRIED SELECT OR BETTER ASH, OAK, OR MAPLE, FURNISHED IN 6'-14' [1.8M-4.3M] RANDOM LENGTHS WITH CAST ALUMINUM BRACKETS</p> <p><b>RETURNS AND CORNERS:</b> PREFABRICATED AND STAINED TO MATCH. DUE TO NATURAL VARIATIONS IN WOOD, GRAIN MAY NOT MATCH EXACTLY.</p> <p><b>BRACKETS:</b> CAST ALUMINUM WITH BRONZE (US-10), BRASS (US-3) OR CLEAR (US-27) ANODIZED FINISH</p> <p><b>FINISH :</b> STAINED OR CLEAR FINISH. SEALED AND FINISHED WITH TWO COATS OF WATER WHITE CONVERSION VARNISH.</p>	PROJECT:
	ARCHITECT:
	CONTRACTOR:
	REPRESENTATIVE:



CUSTOMER:	CUST. NO.:	JOB NO.:	SHEET OF
-----------	------------	----------	----------