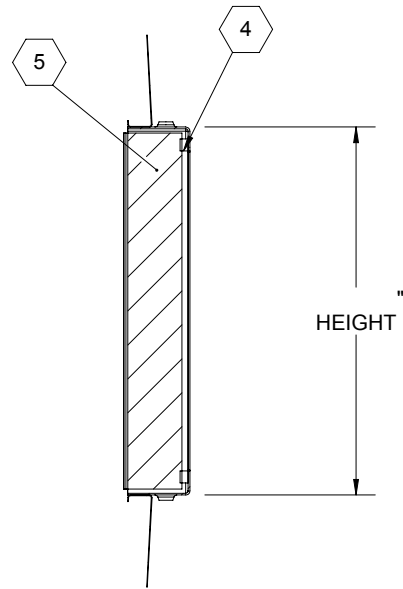
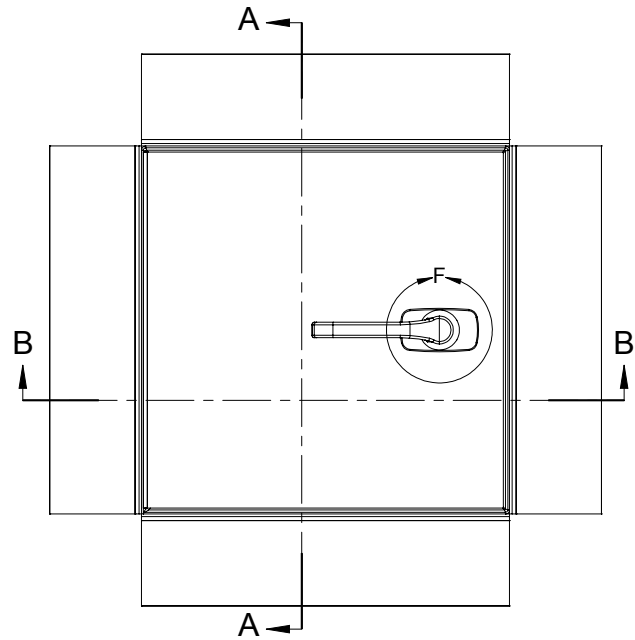
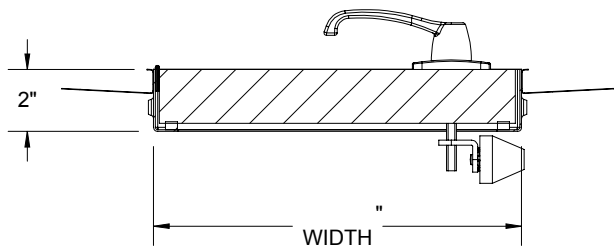
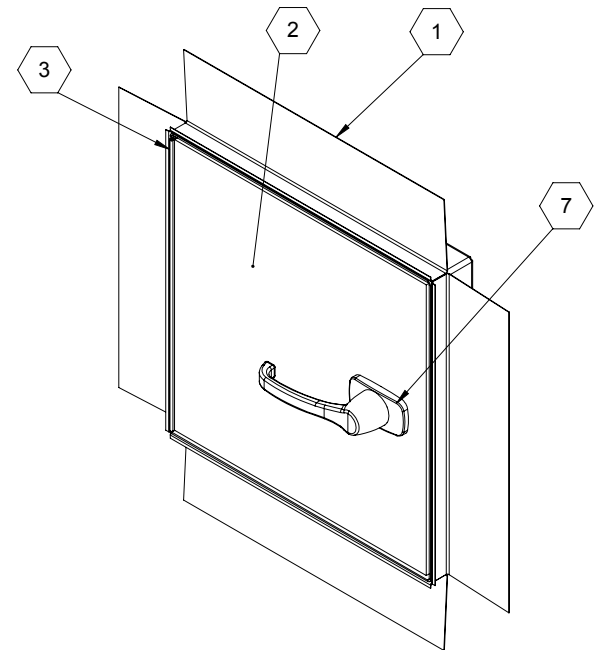


B

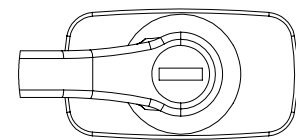


SECTION A-A



SECTION B-B

ROUGH OPENING: " X " "
 CLEAR OPENING: " X " "
 DEGREE OF OPENING: ° X " "
 # LATCHING POINTS: .



DETAIL F

NOTES:

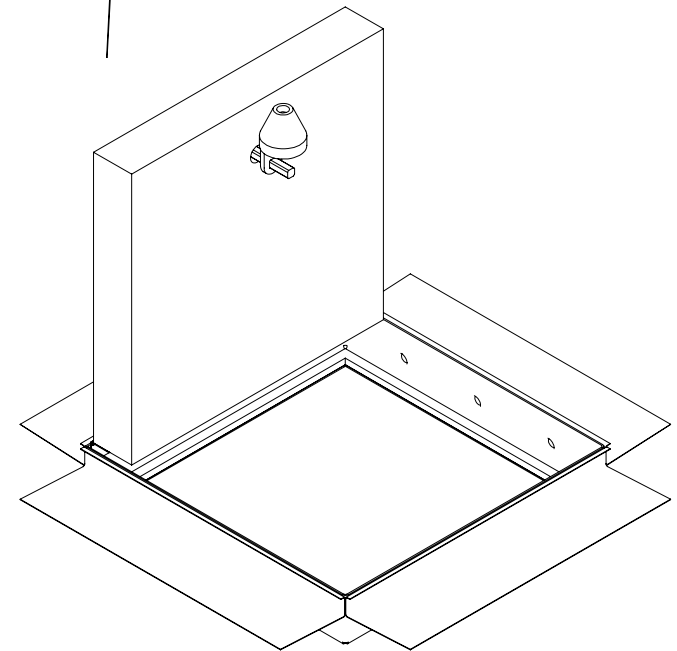
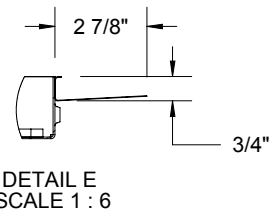
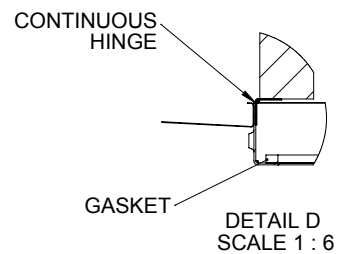
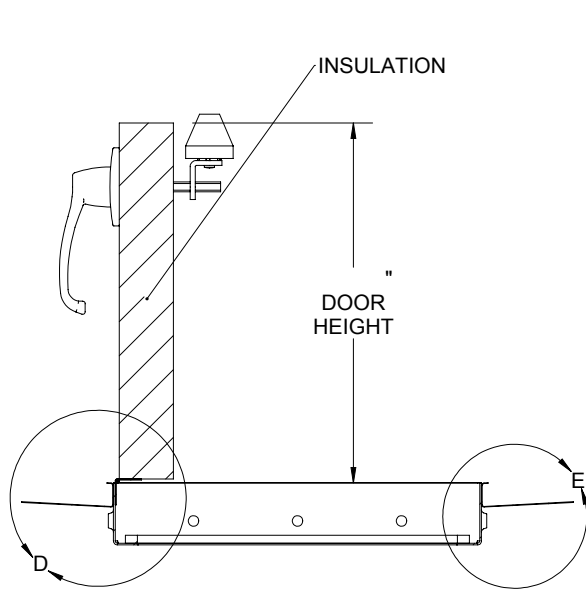
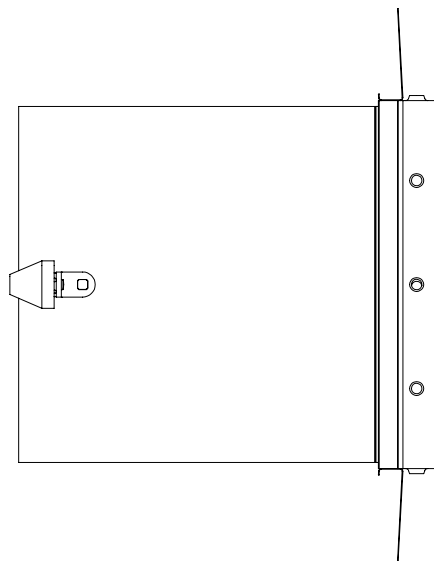
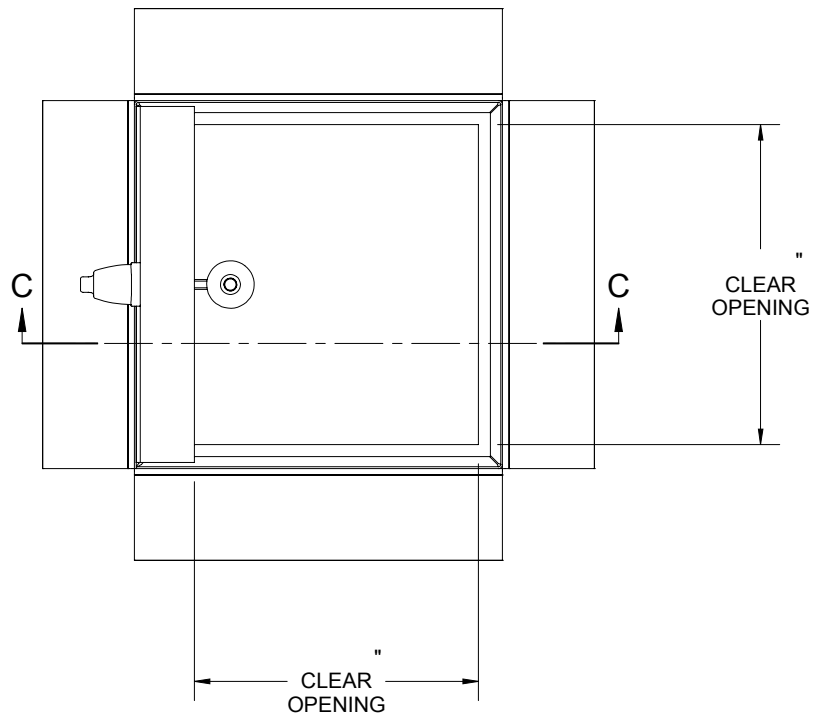
- ① **FRAME:** 16Ga GALV G90 Steel, Plaster Bead
- ② **DOOR:**
- ③ **HINGE:**
- ④ **GASKET:** Self-adhesive Closed Cell Foam Tape
- ⑤ **INSULATION:** Foam Insulation, 2-1/4lb Density, 12 R-Value
- ⑥ **LATCH:**
- ⑦ **LOCK:** Lockable Handle

PROPRIETARY AND CONFIDENTIAL: THE INFORMATION CONTAINED IN THIS DRAWING IS THE SOLE PROPERTY OF NYSTROM. ANY REPRODUCTION IN PART OR AS A WHOLE WITHOUT THE WRITTEN PERMISSION OF NYSTROM IS PROHIBITED.

PROJECT:				
ARCHITECT:				
CONTRACTOR:				
QTY:				
PART#:				
nystrom	TITLE:			
9300 73rd Avenue North Minneapolis, MN 55428				
NAME	DATE	SIZE	DWG. NO.	REV
DRAWN		A		A
RELEASED		WEIGHT: VARIES		SHEET 1 OF 2

B

A



PART#:		TITLE:			
nystrom		9300 73rd Avenue North Minneapolis, MN 55428			
NAME	DATE	SIZE	DWG. NO.	REV	
DRAWN		A		A	
RELEASED		WEIGHT: VARIES		SHEET 2 OF 2	