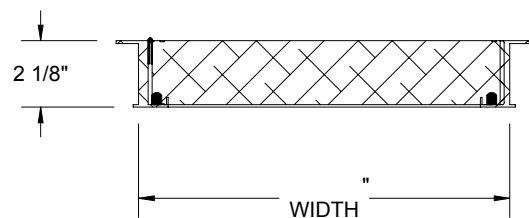


SECTION A-A



SECTION B-B

ROUGH OPENING: " X "  
 CLEAR OPENING: " X "  
 DEGREE OF OPENING: °  
 # LATCHING POINTS: °

NOTES:

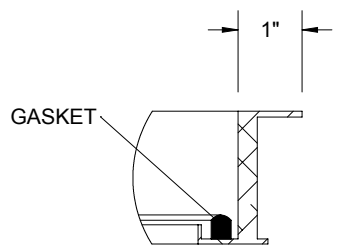
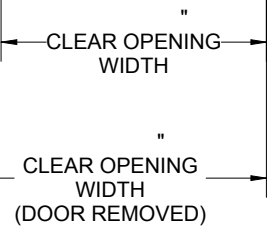
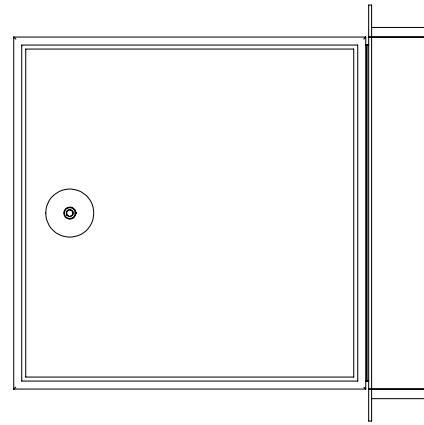
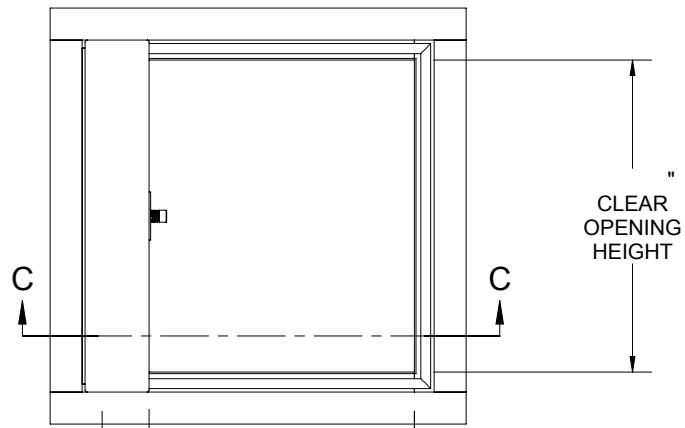
- ① **FRAME:** 6063-T5 Ext Aluminum, Mill Finish
- ② **DOOR:**
- ③ **HINGE:**
- ④ **GASKET:** Coextruded PVC Leaf, Continuous Four Sides
- ⑤ **INSULATION:** Foam Insulation, 2-1/4lb Density, 12 R-Value
- ⑥ **LATCH:** Screwdriver Operated Latch

PROPRIETARY AND CONFIDENTIAL: THE INFORMATION CONTAINED IN THIS DRAWING IS THE SOLE PROPERTY OF NYSTROM. ANY REPRODUCTION IN PART OR AS A WHOLE WITHOUT THE WRITTEN PERMISSION OF NYSTROM IS PROHIBITED.

PROJECT:		
ARCHITECT:		
CONTRACTOR:		
QTY:		
PART#:		
<b>nystrom</b>	TITLE:	
9300 73rd Avenue North Minneapolis, MN 55428		
NAME DATE	SIZE DWG. NO.	REV
DRAWN	A	A
RELEASED	WEIGHT: VARIES	SHEET 1 OF 2

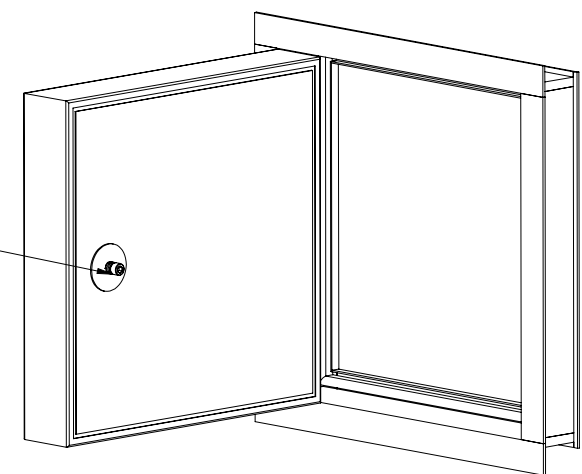
B

B



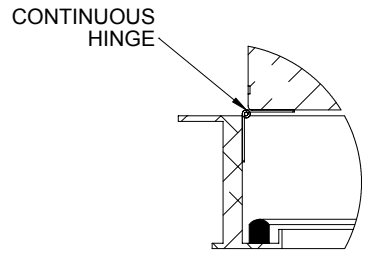
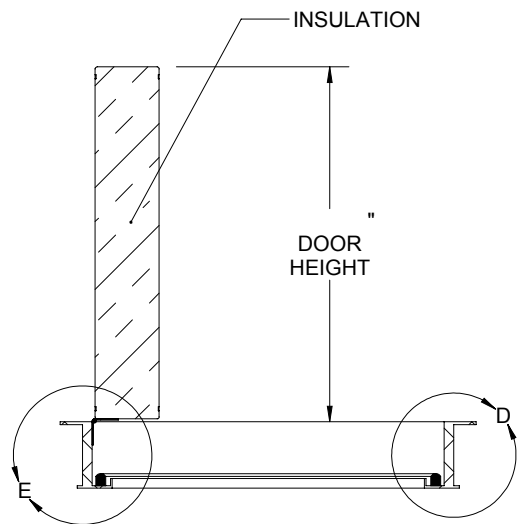
DETAIL D  
SCALE 1 : 3

INTERIOR RELEASE



A

A



DETAIL E  
SCALE 1 : 3

PART#:		TITLE:			
9300 73rd Avenue North Minneapolis, MN 55428					
NAME	DATE	SIZE	DWG. NO.	REV	
DRAWN		A		A	
RELEASED		WEIGHT: VARIES		SHEET 2 OF 2	

PROPRIETARY AND CONFIDENTIAL: THE INFORMATION CONTAINED IN THIS DRAWING IS THE SOLE PROPERTY OF NYSTROM. ANY REPRODUCTION IN PART OR AS A WHOLE WITHOUT THE WRITTEN PERMISSION OF NYSTROM IS PROHIBITED.