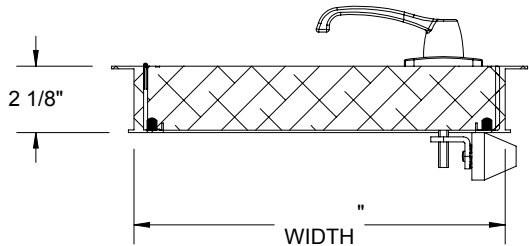
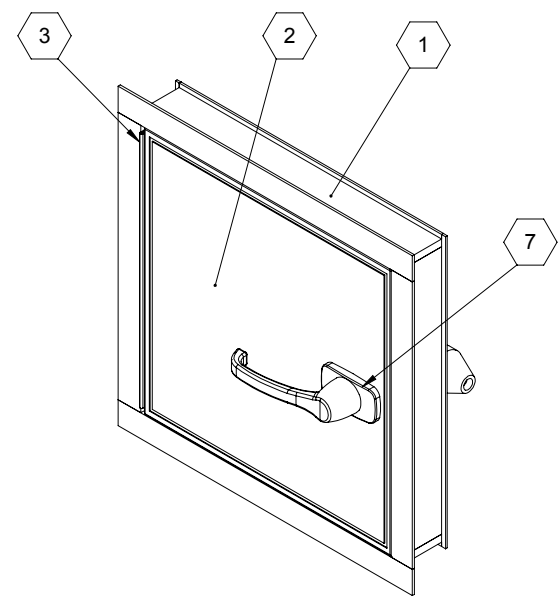
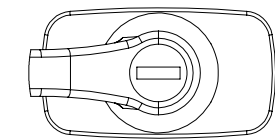


SECTION A-A



SECTION B-B

ROUGH OPENING: " X " "  
 CLEAR OPENING: " X " "  
 DEGREE OF OPENING: ° "  
 # LATCHING POINTS: "



DETAIL F

NOTES:

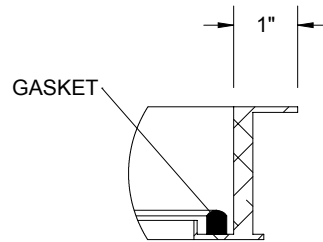
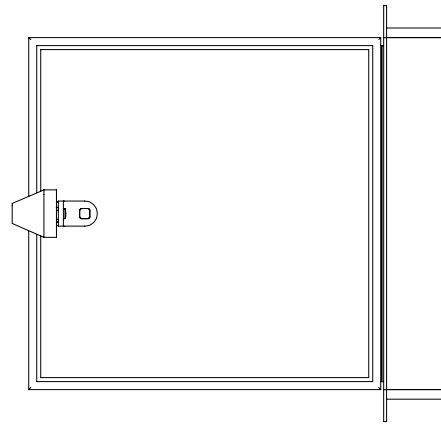
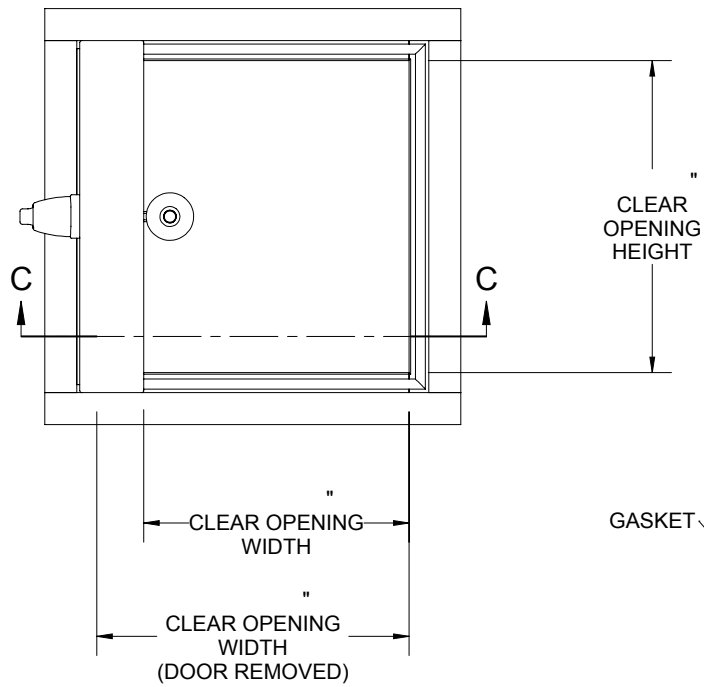
- ① **FRAME:** 6063-T5 Ext Aluminum, Mill Finish
- ② **DOOR:**
- ③ **HINGE:**
- ④ **GASKET:** EPDM Self-Adhesive, Continuous Four Sides
- ⑤ **INSULATION:** Foam Insulation, 2-1/4lb Density, 12 R-Value
- ⑥ **LATCH:**
- ⑦ **LOCK:** Lockable Handle

PROPRIETARY AND CONFIDENTIAL: THE INFORMATION CONTAINED IN THIS DRAWING IS THE SOLE PROPERTY OF NYSTROM. ANY REPRODUCTION IN PART OR AS A WHOLE WITHOUT THE WRITTEN PERMISSION OF NYSTROM IS PROHIBITED.

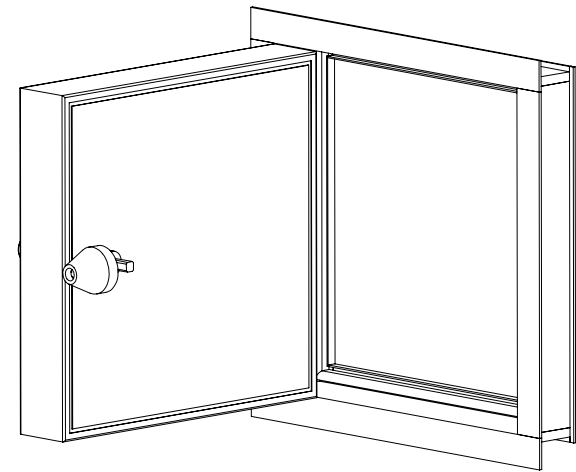
PROJECT:				
ARCHITECT:				
CONTRACTOR:				
QTY:				
PART#:				
<b>nystrom</b>	TITLE:			
9300 73rd Avenue North Minneapolis, MN 55428				
NAME	DATE	SIZE	DWG. NO.	REV
DRAWN		A		A
RELEASED		WEIGHT: VARIES	SHEET 1 OF 2	

B

B

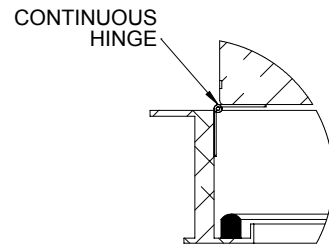
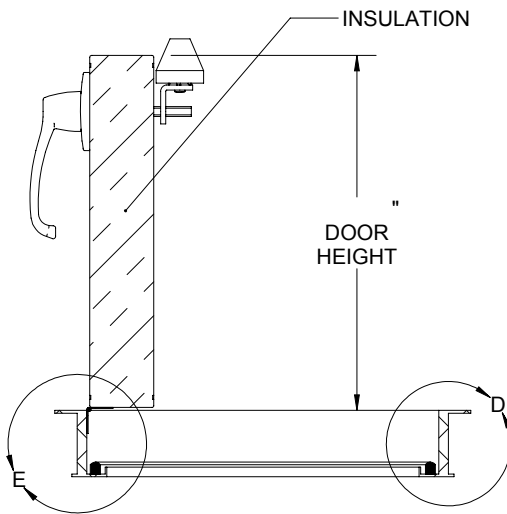


DETAIL D  
SCALE 1 : 3




A

A



DETAIL E  
SCALE 1 : 3

PART#:		TITLE:			
					
9300 73rd Avenue North Minneapolis, MN 55428					
NAME	DATE	SIZE	DWG. NO.	REV	
DRAWN		A		A	
RELEASED		WEIGHT: VARIES		SHEET 2 OF 2	