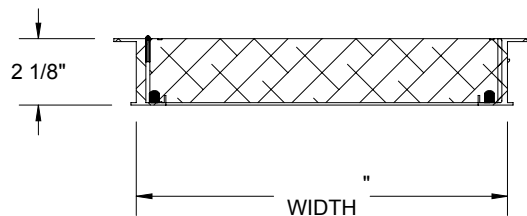
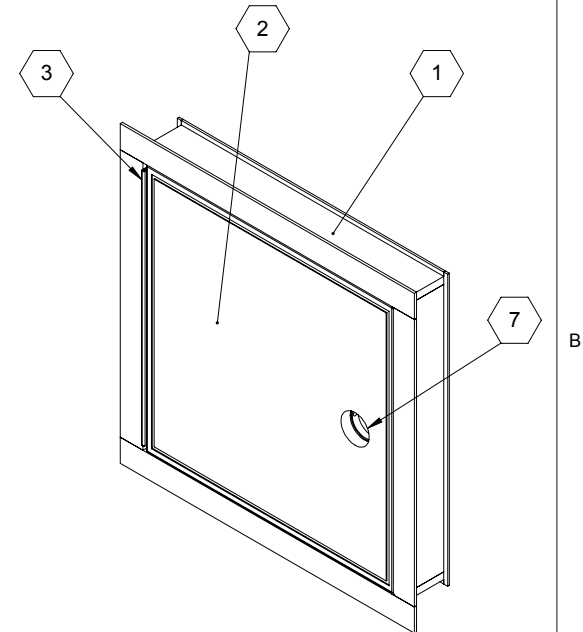


SECTION A-A



SECTION B-B

ROUGH OPENING: " X "
 CLEAR OPENING: " X "
 DEGREE OF OPENING: °
 # LATCHING POINTS:

NOTES:

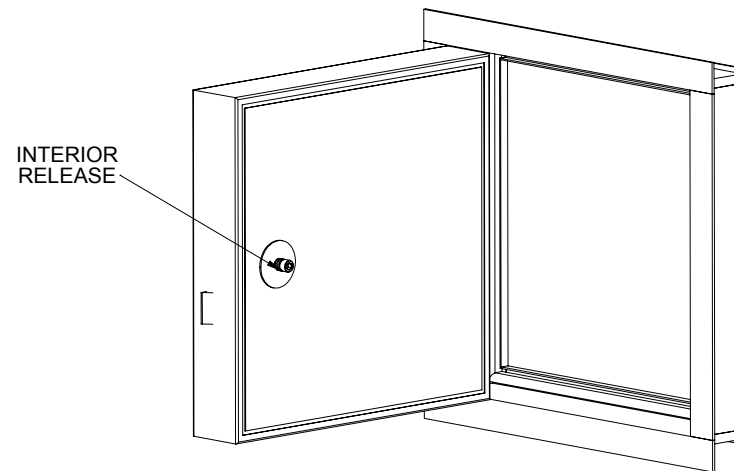
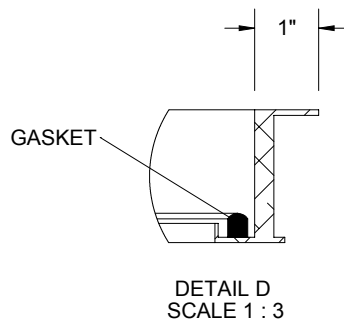
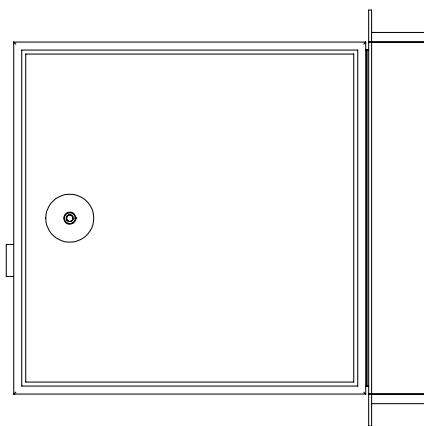
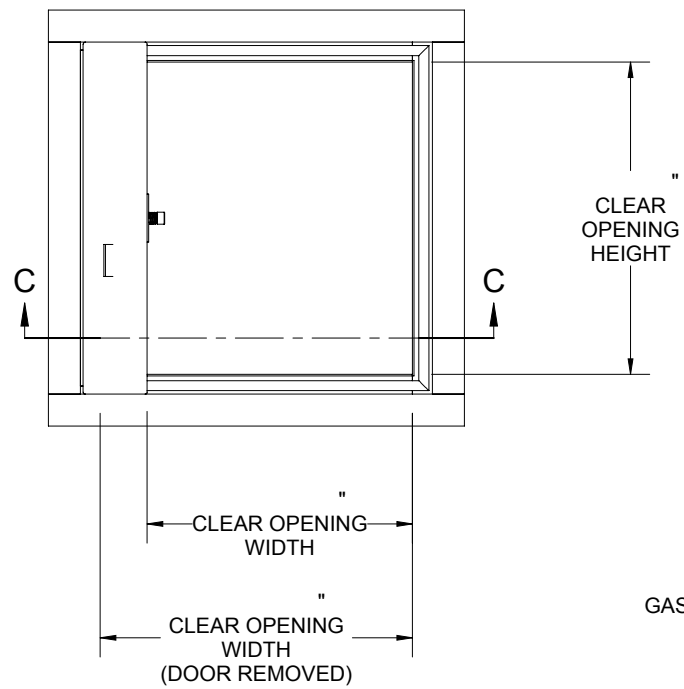
- ① **FRAME:** 6063-T5 Ext Aluminum, Mill Finish
- ② **DOOR:**
- ③ **HINGE:**
- ④ **GASKET:** Coextruded PVC Leaf, Continuous Four Sides
- ⑤ **INSULATION:** Foam Insulation, 2-1/4lb Density, 12 R-Value
- ⑥ **LATCH:** No Latch
- ⑦ **LOCK:** Mortise Prep for 1 5/32"-32 thread cylinder

PROPRIETARY AND CONFIDENTIAL: THE INFORMATION CONTAINED IN THIS DRAWING IS THE SOLE PROPERTY OF NYSTROM. ANY REPRODUCTION IN PART OR AS A WHOLE WITHOUT THE WRITTEN PERMISSION OF NYSTROM IS PROHIBITED.

PROJECT:		
ARCHITECT:		
CONTRACTOR:		
QTY:		
PART#:		
nystrom	TITLE:	
9300 73rd Avenue North Minneapolis, MN 55428		
NAME DATE	SIZE DWG. NO.	REV
DRAWN	A	A
RELEASED	WEIGHT: VARIES	SHEET 1 OF 2

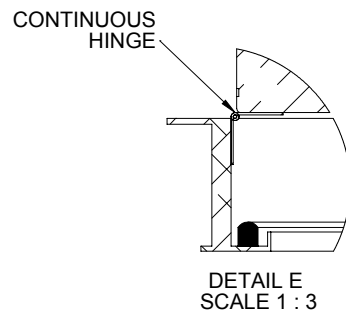
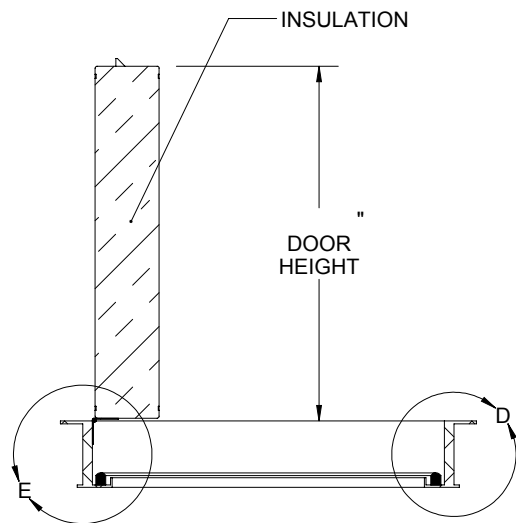
B

B



A

A



PART#:		TITLE:			
nystrom					
9300 73rd Avenue North, Minneapolis, MN 55428					
NAME	DATE	SIZE	DWG. NO.	REV	
DRAWN		A		A	
RELEASED		WEIGHT: VARIES		SHEET 2 OF 2	