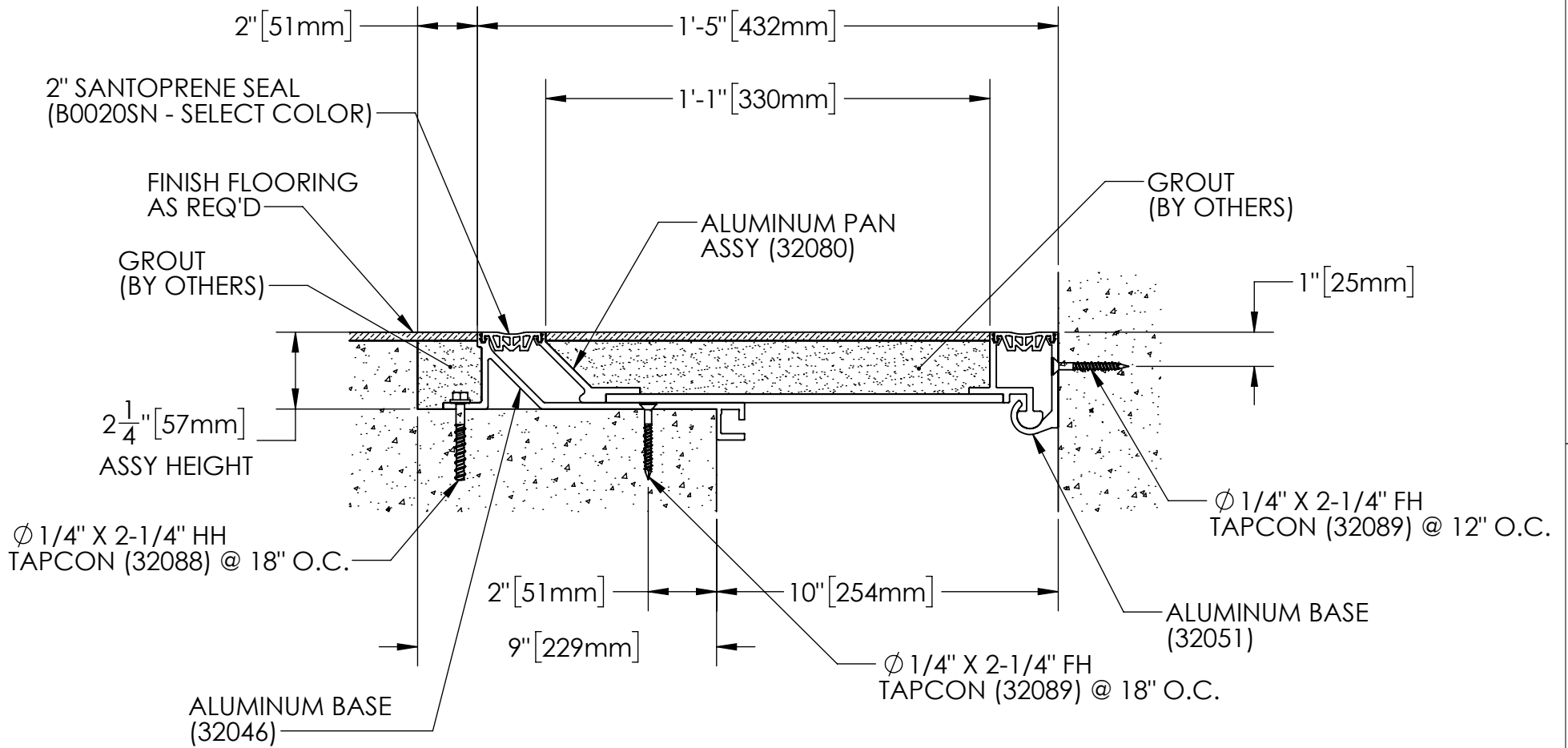


SEAL COLOR SELECTOR	
BLACK _____	WHITE _____
BEIGE _____	GRAY _____



**FLOOR TO WALL BLOCKOUT APPLICATION**

EXPOSED FINISH: MILL  
 MOVEMENT: +/- 50% NOMINAL JOINT WIDTH  
 SEAL THERMAL MOVEMENT: +/- 0.50"  
 STOCK LENGTHS: 10'-0"

PROJECT:		
ARCHITECT:		
CONTRACTOR:		
QTY:		
PART#:		<b>EJN-FLP-1000W</b>
<b>nystrom</b>		TITLE: SEISMIC PAN FLOORING SYSTEM BLOCKOUT APPLICATION
<small>9300 73rd Ave N., Minneapolis, MN 55428        800-547-2635        info@nystrom.com</small>		
NAME	DATE	SIZE DWG. NO. REV
JMS	7/25/23	A EJN-FLP-1000W
RELEASED		WEIGHT: SHEET 1 OF 1