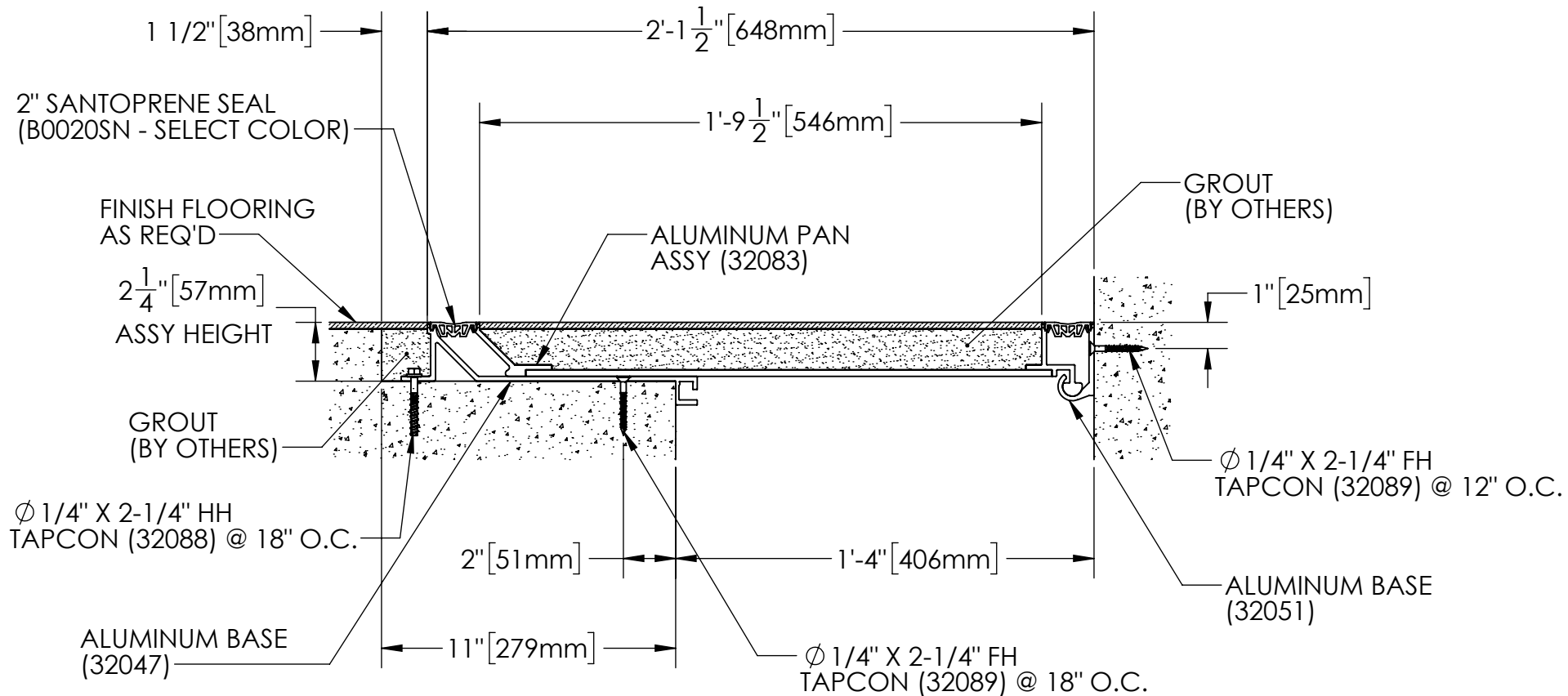


SEAL COLOR SELECTOR			
BLACK	_____	WHITE	_____
BEIGE	_____	GRAY	_____



**FLOOR TO WALL BLOCKOUT APPLICATION**

EXPOSED FINISH: MILL  
 MOVEMENT: +/- 50% NOMINAL JOINT WIDTH  
 SEAL THERMAL MOVEMENT: +/- 0.50"  
 STOCK LENGTHS: 10'-0"

PROPRIETARY AND CONFIDENTIAL: THE INFORMATION CONTAINED IN THIS DRAWING IS THE SOLE PROPERTY OF NYSTROM. ANY REPRODUCTION IN PART OR AS A WHOLE WITHOUT THE WRITTEN PERMISSION OF NYSTROM IS PROHIBITED.

PROJECT:			
ARCHITECT:			
CONTRACTOR:			
QTY:			
PART#:		EJN-FLP-1600W	
 <small>9300 73rd Ave N., Minneapolis, MN 55428        800-547-2635        info@nystrom.com</small>		TITLE: SEISMIC PAN FLOORING SYSTEM BLOCKOUT APPLICATION	
NAME	DATE	SIZE	DWG. NO.
JMS	7/25/23	A	EJN-FLP-1600W
RELEASED			WEIGHT:
			SHEET 1 OF 1