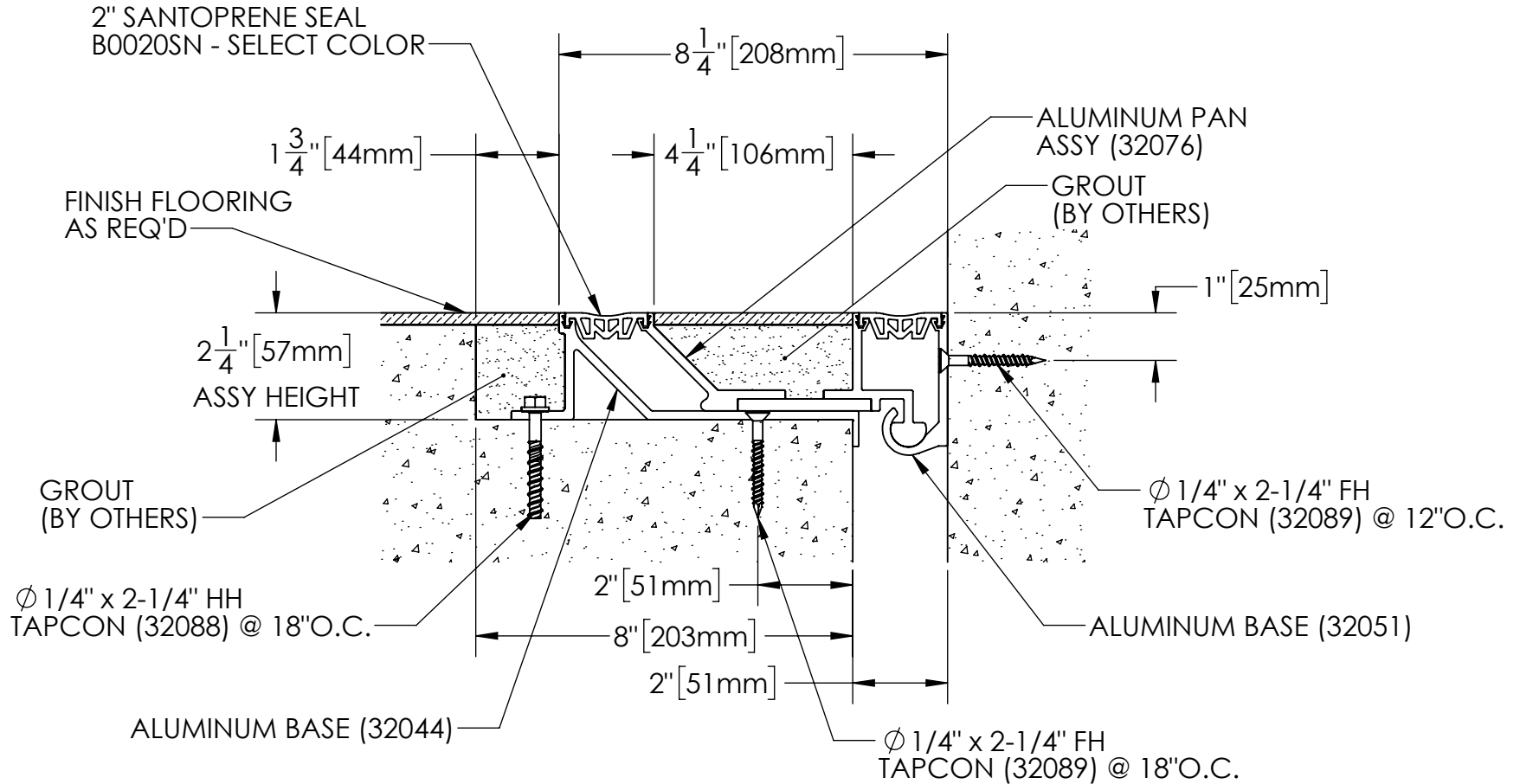


SEAL COLOR SELECTOR	
BLACK _____	WHITE _____
BEIGE _____	GRAY _____



**FLOOR TO WALL BLOCKOUT APPLICATION**

EXPOSED FINISH: MILL  
 MOVEMENT: +50%/-25% NOMINAL JOINT WIDTH  
 SEAL THERMAL MOVEMENT: +/- 0.50"  
 STOCK LENGTHS: 10'-0"

PROJECT:			
ARCHITECT:			
CONTRACTOR:			
QTY:			
PART#:		EJN-FLP-200W	
 <small>9300 73rd Ave N., Minneapolis, MN 55428                  800-547-2635                  info@nystrom.com</small>		TITLE: SEISMIC PAN FLOORING SYSTEM BLOCKOUT APPLICATION	
NAME	DATE	SIZE	DWG. NO.
JMS	7/25/23	A	EJN-FLP-200W
RELEASED			WEIGHT:
			SHEET 1 OF 1