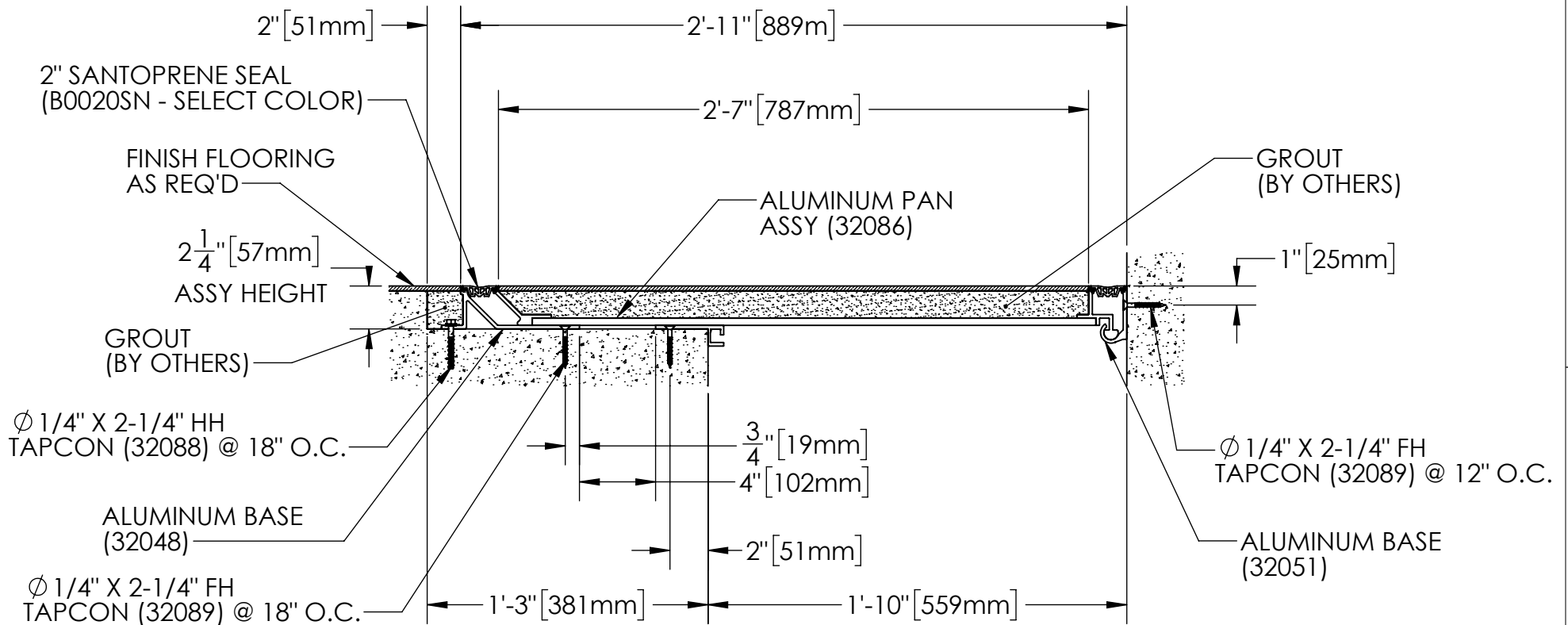


SEAL COLOR SELECTOR			
BLACK	_____	WHITE	_____
BEIGE	_____	GRAY	_____

B

B




A

A

FLOOR TO WALL BLOCKOUT APPLICATION

EXPOSED FINISH: MILL
 MOVEMENT: +/- 50% NOMINAL JOINT WIDTH
 SEAL THERMAL MOVEMENT: +/- 0.50"
 STOCK LENGTHS: 10'-0"

PROPRIETARY AND CONFIDENTIAL: THE INFORMATION CONTAINED IN THIS DRAWING IS THE SOLE PROPERTY OF NYSTROM. ANY REPRODUCTION IN PART OR AS A WHOLE WITHOUT THE WRITTEN PERMISSION OF NYSTROM IS PROHIBITED.

PROJECT:			
ARCHITECT:			
CONTRACTOR:			
QTY:			
PART#:		EJN-FLP-2200W	
 <small>9300 73rd Ave N., Minneapolis, MN 55428 800-547-2635 info@nystrom.com</small>		TITLE: SEISMIC PAN FLOORING SYSTEM BLOCKOUT APPLICATION	
		DWG. NO. EJN-FLP-2200W	
NAME	DATE	SIZE	REV
JMS	7/25/23	A	
RELEASED		WEIGHT:	SHEET 1 OF 1