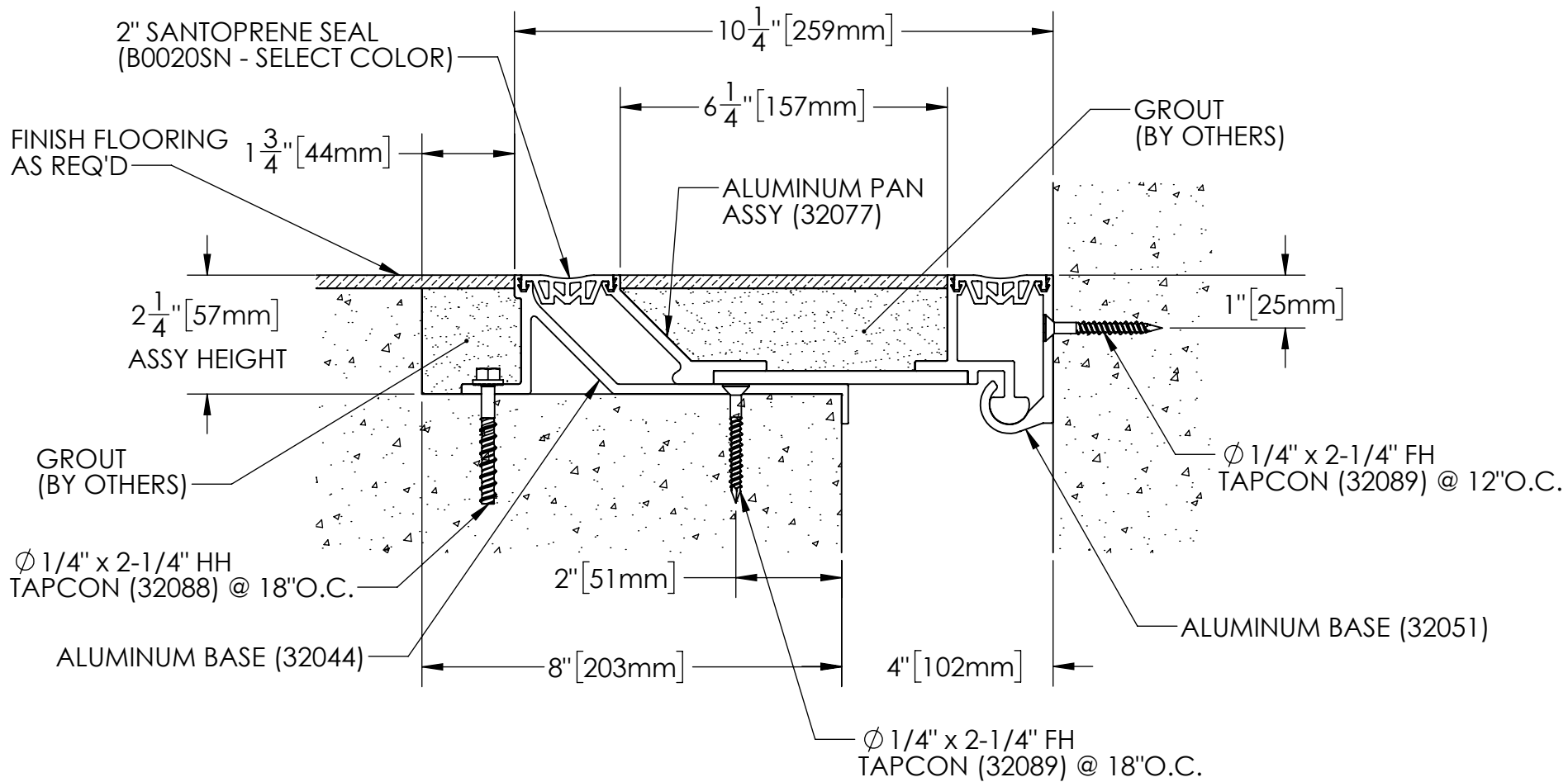



SEAL COLOR SELECTOR	
BLACK _____	WHITE _____
BEIGE _____	GRAY _____



FLOOR TO WALL BLOCKOUT APPLICATION

EXPOSED FINISH: MILL
 MOVEMENT: +/- 50% NOMINAL JOINT WIDTH
 SEAL THERMAL MOVEMENT: +/- 0.50"
 STOCK LENGTHS: 10'-0"

PROJECT:		
ARCHITECT:		
CONTRACTOR:		
QTY:		
PART#:		EJN-FLP-400W
		TITLE: SEISMIC PAN FLOORING SYSTEM BLOCKOUT APPLICATION
<small>9300 73rd Ave N., Minneapolis, MN 55428 800-547-2635 info@nystrom.com</small>		
NAME	DATE	SIZE DWG. NO. REV
JMS	7/25/23	A EJN-FLP-400W
RELEASED		WEIGHT: SHEET 1 OF 1

PROPRIETARY AND CONFIDENTIAL: THE INFORMATION CONTAINED IN THIS DRAWING IS THE SOLE PROPERTY OF NYSTROM. ANY REPRODUCTION IN PART OR AS A WHOLE WITHOUT THE WRITTEN PERMISSION OF NYSTROM IS PROHIBITED.