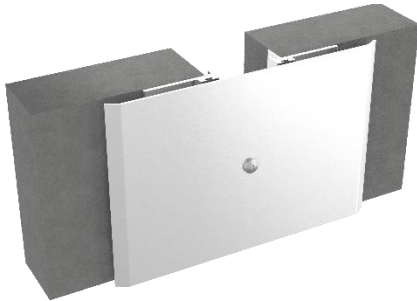


SEISMIC ALUMINUM WALL & CEILING SYSTEM – SURFACE APPLICATION

Model(s): **FCT/FCTw**

FCT Wall to Wall System



GENERAL DESCRIPTION

Nystrom Seismic Architectural Wall System is a wall and ceiling system designed to accommodate both thermal and multidirectional movement. The system provides a simple, durable solution for internal environments.

GENERAL SAFETY PRECAUTIONS Improper selection, installation, or use can cause personal injury or property damage. It is solely the responsibility of the user, through their own analysis, to select products suitable to the specific application requirements, ensure proper maintenance and use as intended. Follow local, state, and federal regulations for proper installation and operation requirements.

Introduction + Safety

Please read the complete instructions carefully before beginning any work. To ensure proper installation and performance of the product, the following actions must be completed by the installing contractor. Failure to do so will affect product warranty.

Transportation + Storage

- Inspect all shipments and materials for missing or damaged components and hardware.
- Material must be stored in a clean, dry location.

Preparation

- Locate the packing slip(s) and/or shop drawings.
- Verify that all products listed on the packing slip are included in the package.
- Check the products for damage. If products are damaged, report a freight claim immediately and leave the products in their packaging. If you sign for products without reporting damage, you waive your right to a freight claim and will be responsible for replacement costs.

- Read the instructions thoroughly before beginning installation.

Tool List

- Tape measure
- Chop saw to cut product to length
- Electric drill with $\text{Ø}5/32$ " masonry bit & $\text{Ø}3/16$ " metal bit
- Broom & dustpan or vacuum

Preinstallation

1. Ensure that the area where the cover plate is being installed is smooth and level.

INSTALLATION

1. Drill $3/16$ " holes on each end of the two base frames and approximately 18" on center for the balance of the pieces. Use the drill track to center drill on the base frames. These holes should be lined up with the steel stud framing in a gypsum board assembly. Install the gasket seal into the base frame by sliding it into the groove on the base frame starting from the end. **See Figure 1.**

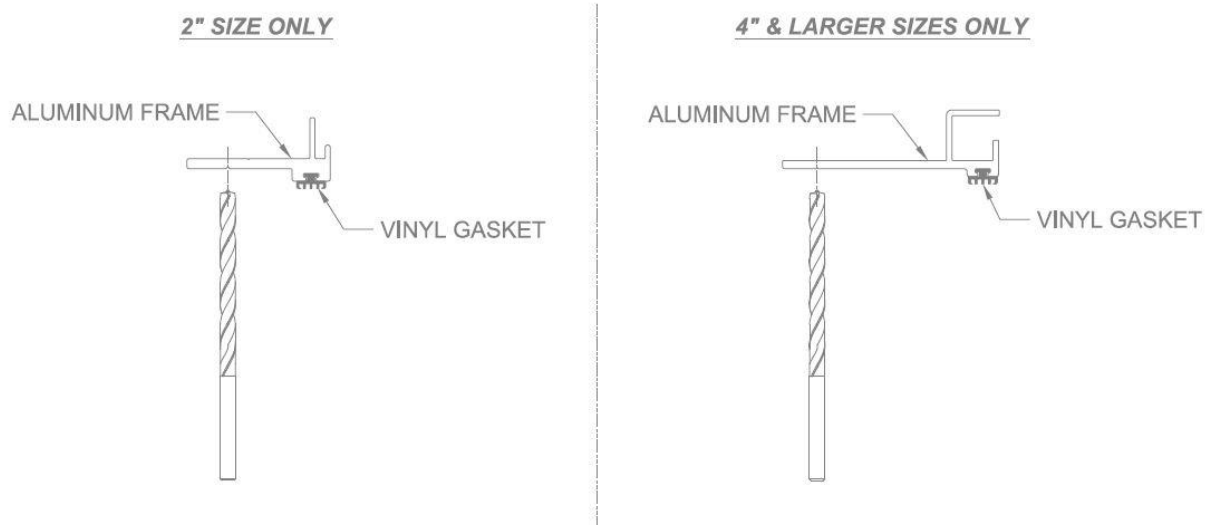


FIGURE #1

- For 2" sizes, position base frames per shop drawings. Using the frame as a template, mark and drill $\varnothing 5/32$ " holes for $\varnothing 3/16$ " Tapcon anchors (by others) if installing into concrete. For gypsum board assemblies, there is no need to predrill, attach base frames using appropriate drywall screw (by others) through gypsum board into steel studs. **See Figure 2.**

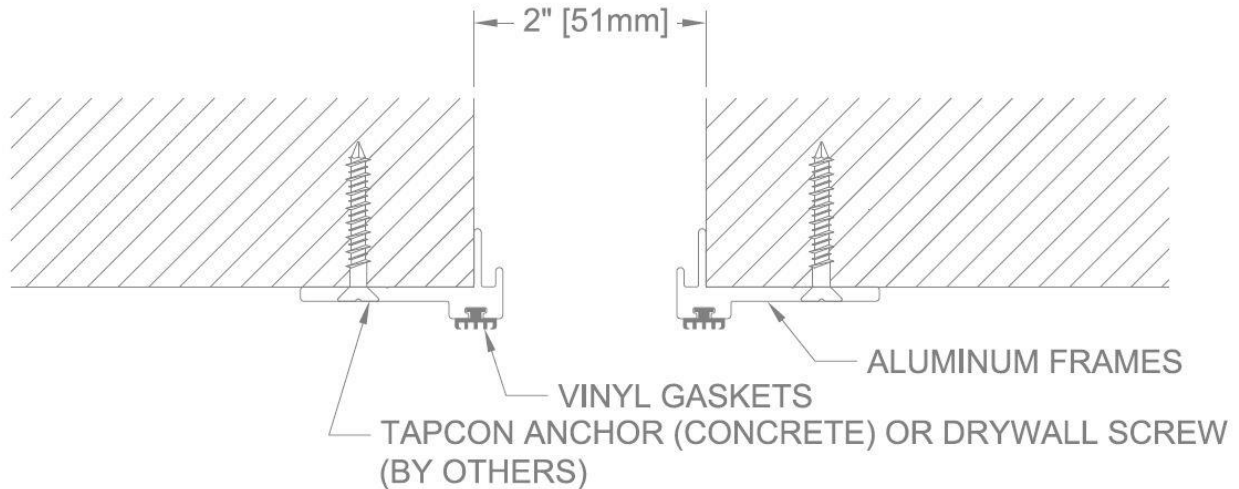


FIGURE #2

- For 2" sizes, loosely attach centering bar to cover plate with provides screws. Position cover plate and centering mechanism into place with spring assembly parallel to joint opening. Turn screw quarter turn and pull out to position spring assembly in place. **See Figure 3.**

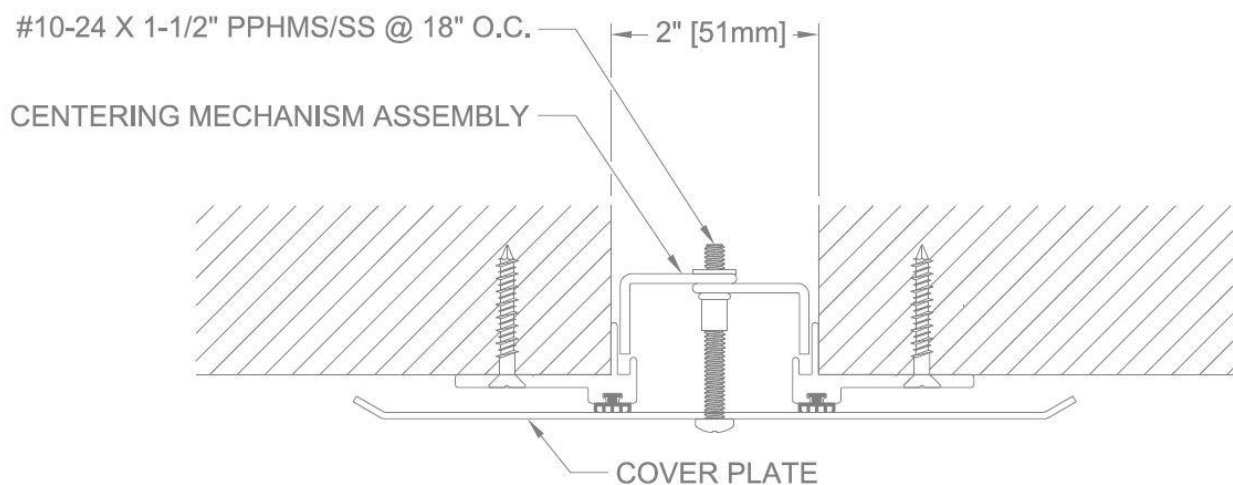


FIGURE #3

- For 2" sizes, keep outward pressure on screw and tighten until secure, being careful not to over tighten. **See Figure 4.**

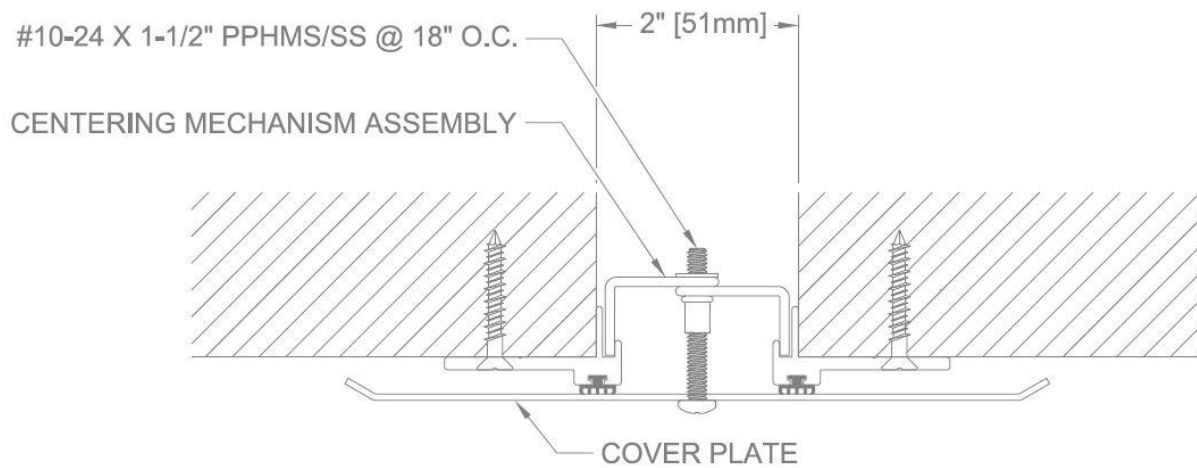


FIGURE #4

- For 4" and larger sizes, position base frames per shop drawings. Using the frame as a template, mark, and drill $\text{Ø}5/32$ " holes for $\text{Ø}3/16$ " Tapcon anchors (by others) if installing into concrete. For gypsum board assemblies, there is no need to predrill, attach base frames using appropriate drywall screw (by others) through gypsum board into steel studs. **See Figure 5.**

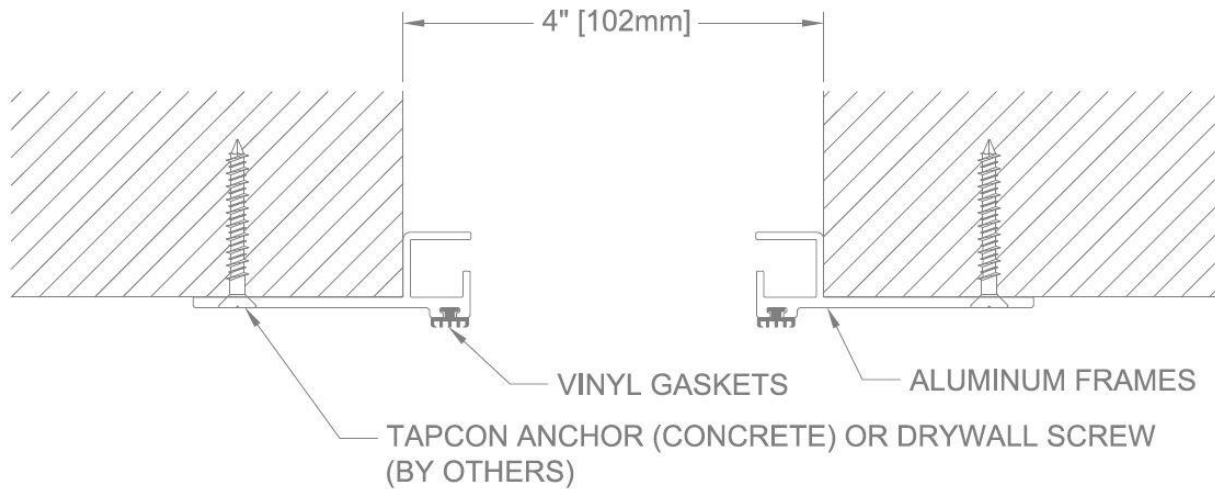


FIGURE #5

- For 4" and larger sizes, lay the center cover plate over the left base frame with ends flush and mark the cover plate's center holes onto the base frame near the inside edge. Repeat this on the right side. Position the centering mechanisms in the track on the base frames and align with the marked locations. The centering mechanisms will be diagonal to the opening. Tape may be needed to hold the centering mechanisms in place. **See Figure 6.**

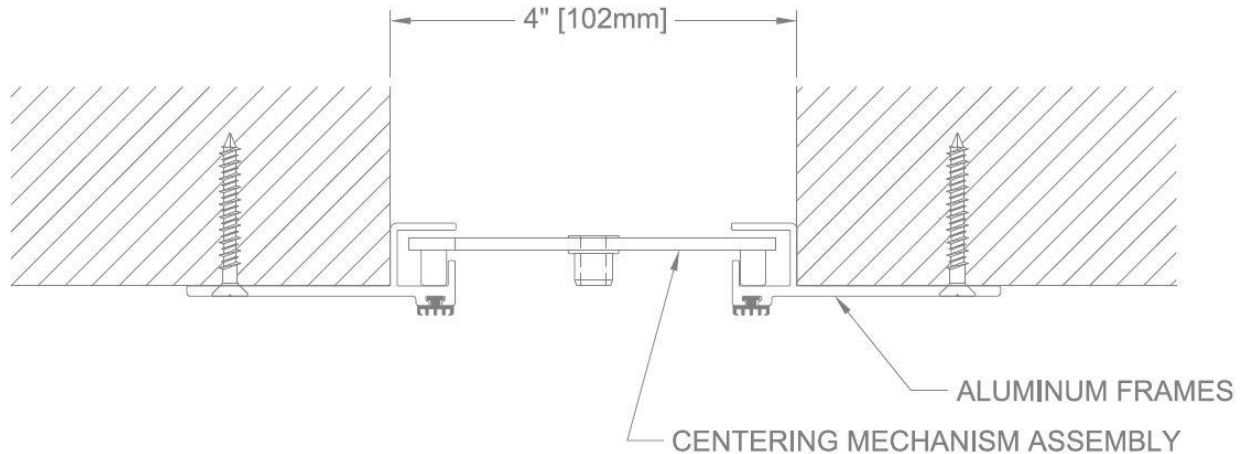


FIGURE #6

- On 4" and larger sizes, attach a plastic spacer over the nut on the centering mechanisms with tape. Position the cover plate centered over the base frames and with the center hole aligned with the center mechanisms. Attach the cover plate to the centering mechanisms with the provided screws, being careful not to over tighten. **See Figure 7.**

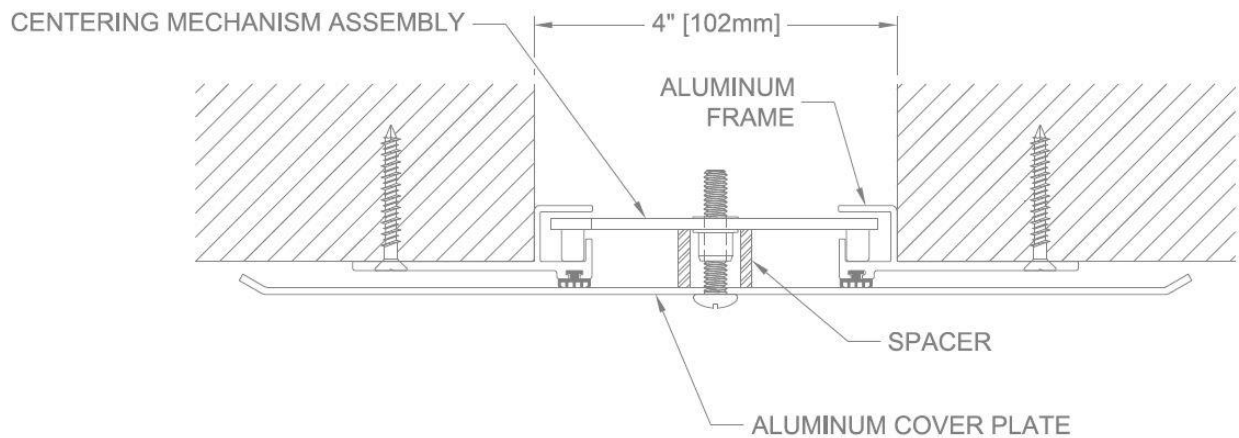
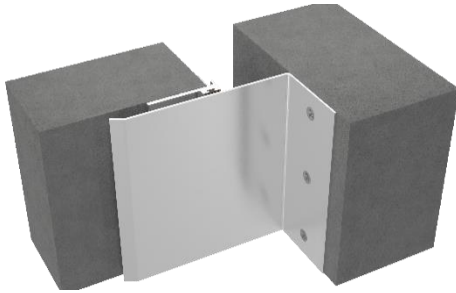


FIGURE #7

FCTw Floor to Corner System



GENERAL DESCRIPTION

Nystrom FCTw Seismic Architectural Wall System is designed to match the FCT system in corner applications.

INSTALLATION

1. Drill $\text{Ø}3/16$ " holes on the end of the base frame and then approximately 18" on center for the balance of the pieces. Use the drill track to center drill on the base frame. These holes should be lined up with the steel stud framing in a gypsum board assembly. Install the gasket seal into the base frame by sliding it into the groove on the base frame starting from the end. **See Figure 8.**

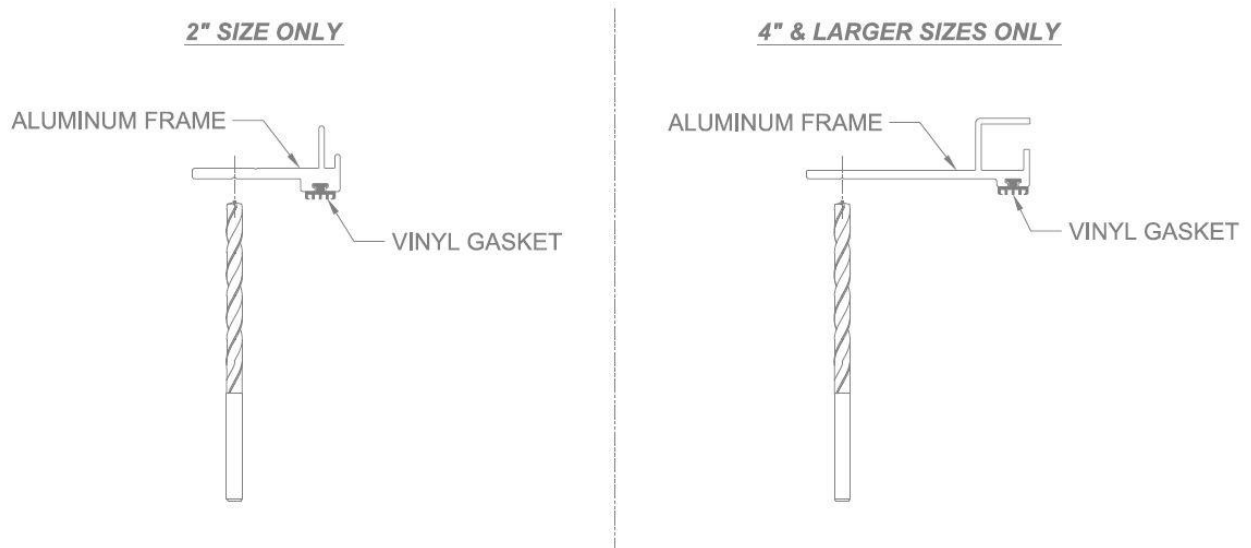


FIGURE #8

- For 2" sizes, position base frames per shop drawings. Using the frame as a template, mark, and drill $\varnothing 5/32$ " holes for $\varnothing 3/16$ " Tapcon anchors (by others) if installing into concrete. For gypsum board assemblies, there is no need to predrill, just attach base frames using appropriate drywall screw (by others) through gypsum board into steel studs. **See Figure 9.**

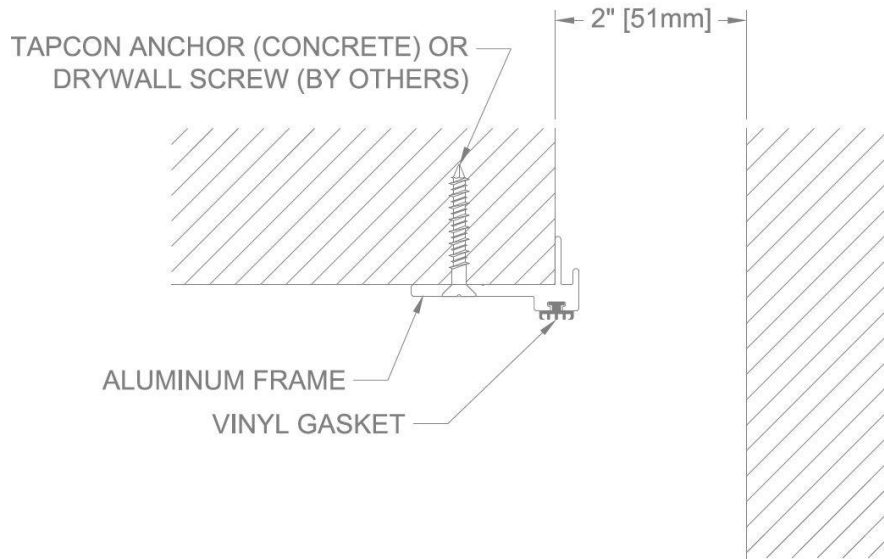


FIGURE #9

- For 2" sizes, position the top cover plate over the base frame and tight against the wall. Make sure the top cover plate is pushed firmly into the elastomeric gasket and attach the top cover plate by fastening it to the wall with appropriate fasteners (by others) 18" oc. **See Figure 10.**

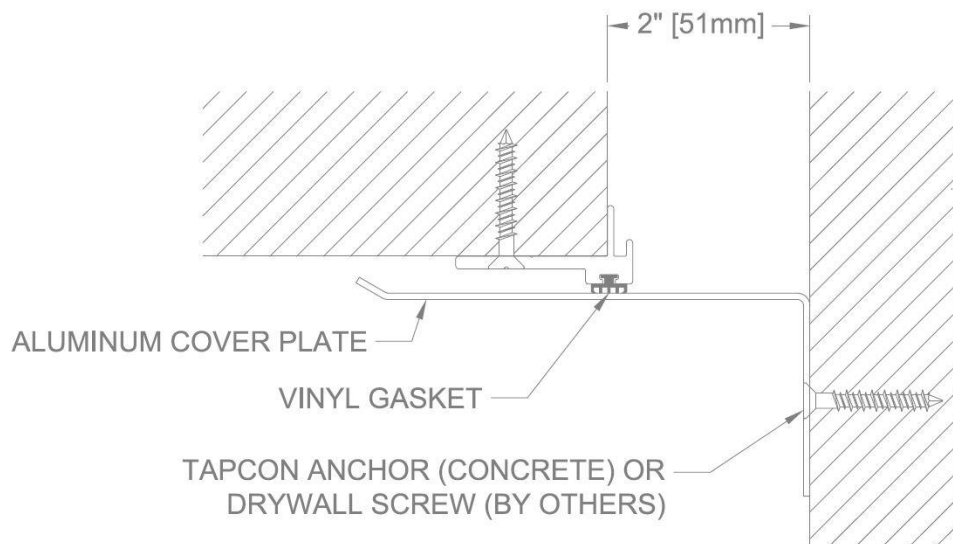


FIGURE #10

- For 4" and larger sizes, position base frames per shop drawings. Using the frame as a template, mark, and drill $\text{Ø}5/32$ " holes for $\text{Ø}3/16$ " Tapcon anchors (by others) if installing into concrete. For gypsum board assemblies, there is no need to predrill, just attach base frames using appropriate drywall screw (by others) through gypsum board into steel studs. **See Figure 11.**

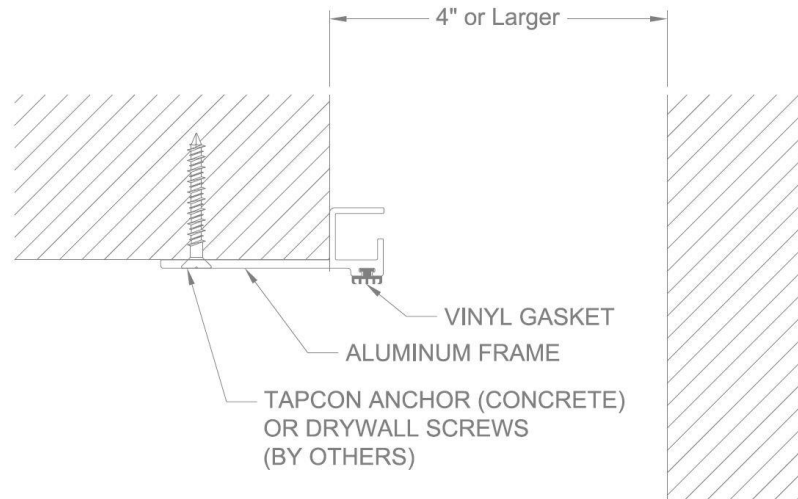


FIGURE #11

- For 4" and 6" sizes, position the top cover plate over the base frame and tight against the wall. Make sure the top cover plate is pushed firmly into the elastomeric gasket and attach the top cover plate by fastening it to the wall with appropriate fasteners (by others) 18" oc. **See Figure 12.**

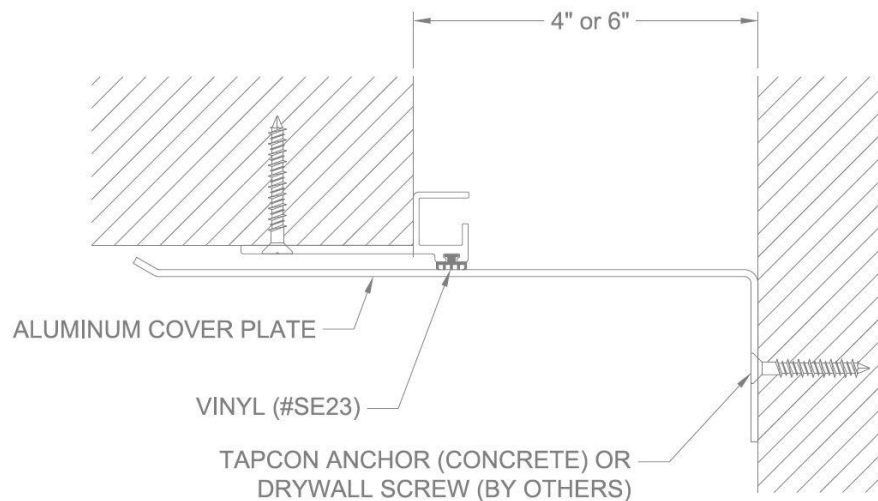


FIGURE #12

- For 8" and larger sizes, lay the center cover plate over the left base frame with ends flush and mark the cover plate center holes onto the base frame near the inside edge. Position the centering bar assembly in the track on the base frame and align with the marked locations. Tape will be needed to hold the centering bar assemblies in place. Attach a plastic spacer over the nut on the centering bar with tape. Position the cover plate over the base frame and tight against the wall. Make sure to align the center hole with the center bar assemblies. Attach the cover plate to the center bar assemblies with the provided screws, being careful not to over tighten. The cover plate will also need to be attached to wall with appropriate fasteners (by others) for the wall type, 18" o.c. **See Figure 13.**

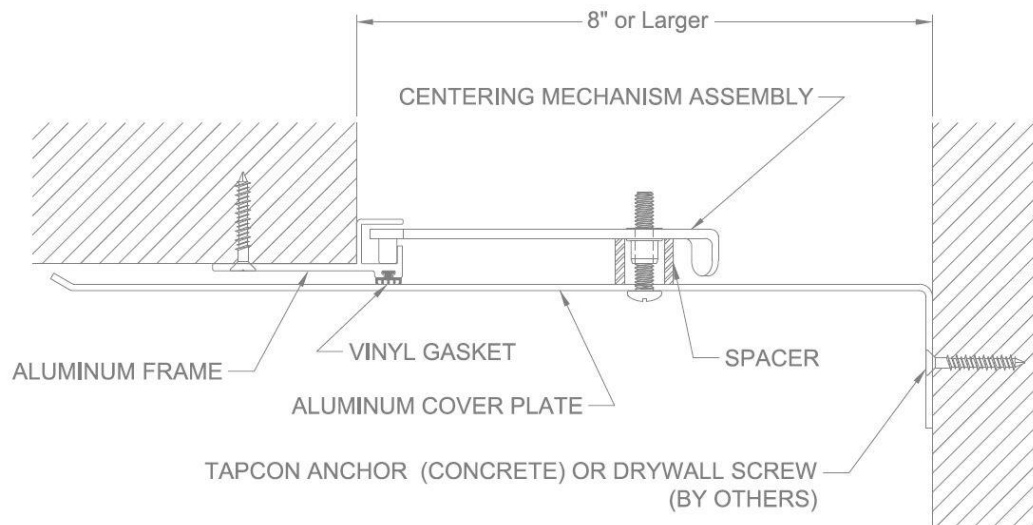


FIGURE #13

OPERATION

Expansion Joints are designed and built for years of dependable service.

MAINTENANCE

Perform annual inspections to make sure the system is in position; all fasteners are tight and in place and that there is no impedance of joint cover movement. Repair and/or replace as needed.

QUESTIONS?

For more information on installation, repair, or replacement, please contact Customer & Sales Support at 800-547-2635 or visit [nystrom.com](https://www.nystrom.com)