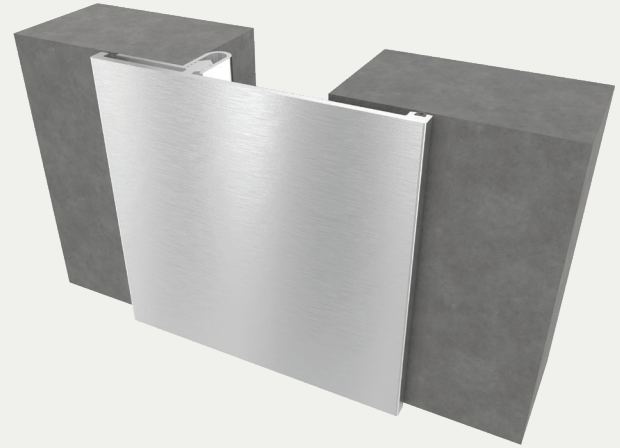


Aluminum Wall System

SURFACE SNAP-ON APPLICATION (WJ/WJw)



BENEFITS

AESTHETICS The sliding cover plate with a clear anodized finish provides a high-end appearance.

CONTINUOUS SIGHT LINE This system can be used on walls, ceilings and corners to provide seamless and continuous aesthetics.

DETAILS

MATERIAL 6063-T5 Aluminum, Meets ASTM B221

FINISH Clear Anodized

MOVEMENT Thermal: Horizontal

MOUNTING Surface

JOINT SIZE 1" - 4"

LENGTH 10 Linear Feet

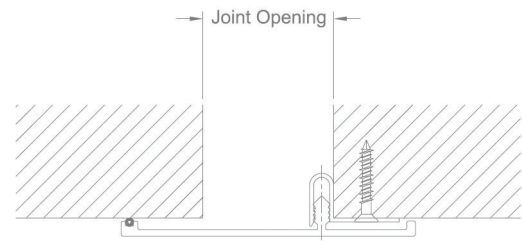
APPLICATION Interior

INSTALLATION Wall or Ceiling

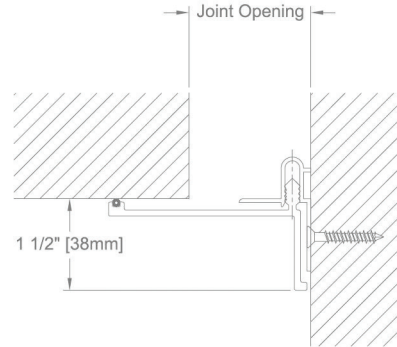
OPTIONS Moisture barrier, Fire barrier and Additional Materials, Sizes and Finishes upon request

INSTALLATION

WALL-TO-WALL



WALL/CEILING-TO-CORNER



For more information, download our Installation and Operating Manuals (IOM) and Shop Drawings on Nystrom.com

ORDER GUIDE

MODEL	APPLICATION	JOINT SIZE AT MEAN T°F	EXPOSED SIGHT LINE	TOTAL MOVEMENT
EJN-WJ-100	Wall/Ceiling to Wall/Ceiling	1" (25mm)	4.5" (114mm)	1" (25mm)
EJN-WJ-200	Wall/Ceiling to Wall/Ceiling	2" (51mm)	4.5" (114mm)	2" (51mm)
EJN-WJ-300	Wall/Ceiling to Wall/Ceiling	3" (76mm)	8.5" (216mm)	3" (76mm)
EJN-WJ-400	Wall/Ceiling to Wall/Ceiling	4" (102mm)	8.5" (216mm)	4" (102mm)
EJN-WJ-100W	Wall/Ceiling to Wall/Ceiling	1" (25mm)	3.312" (84mm)	1" (25mm)
EJN-WJ-200W	Wall/Ceiling to Corner	2" (51mm)	3.312" (84mm)	2" (51mm)
EJN-WJ-300W	Wall/Ceiling to Corner	3" (76mm)	6.315" (160mm)	3" (76mm)
EJN-WJ-400W	Wall/Ceiling to Corner	4" (102mm)	6.315" (160mm)	4" (102mm)

Additional sizes available, email info@nystrom.com for more information.