

ROOF BELLOW SYSTEM CURB APPLICATION

Model(s): ECF/ECFw

GENERAL DESCRIPTION



Nystrom Roof Bellows System is an effective, flexible joint closure for a wide variety of standard and special applications. The ECF cover is 60-mil thick, reinforced EPDM bellows widely used in roof to roof and roof to wall curb applications.

Introduction + Safety

GENERAL SAFETY PRECAUTIONS Improper selection, installation, or use can cause personal injury or property damage. It is solely the responsibility of the user, through its own analysis to select products suitable for their specific application requirements, ensure they are properly maintained, and limit their use to its intended purpose. Follow proper local, state, and federal regulations for proper installation and operation requirements.

Please read the complete instructions carefully before beginning any work. To ensure proper installation and performance of the product, the following actions must be completed by the installing contractor. Failure to do so will affect the product warranty.

Transportation + Storage

- Inspect all shipments and materials for missing or damaged components and hardware.
- Material must be stored in a clean, dry location.

Preparation

- Locate the packing slip(s) and/or shop drawings.
- Verify that all products listed on the packing slip are included in the package.
- Check the products for damage. If products are damaged, report a freight claim immediately and leave the products in their packaging. If you sign for products

Direct Service Done Right

Since 1948, Nystrom has been the go-to manufacturer of specialty building products providing a wide range of floor, roof, wall, ceiling, and stair access products that create safer, more accessible buildings. We offer hassle-free services including access to technical experts, REVIT tools for BIM, HPDs for LEED v4, 3-part specifications and AIA-accredited continuing education courses.

without reporting damage you waive your right to a freight claim and will be responsible for their replacement cost.

- Read the instructions thoroughly before beginning installation.

Tool List

- Metal cutting snips
- Chalk line
- Tape measure
- Hammer
- Trowel

INSTALLATION EJN-ECF

EJN-ECF – ROOF TO ROOF

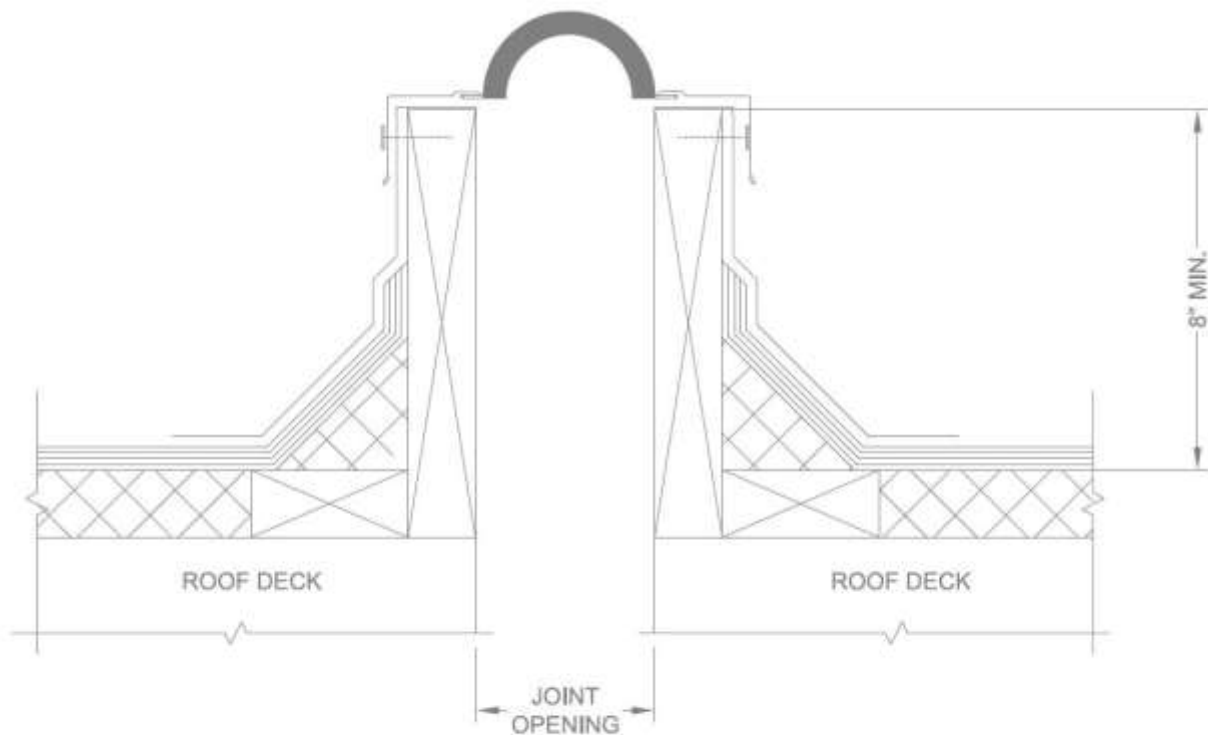


Figure #1

SEE INSTALLATION ADDENDUM 'A' FOR BELLOWS SIZES 18" AND GREATER (OPTIONAL)

1. Apply membrane compatible mastic on horizontal surface of roof curb to receive metal flange. Install one flange at a time. **See Figure 1.1**

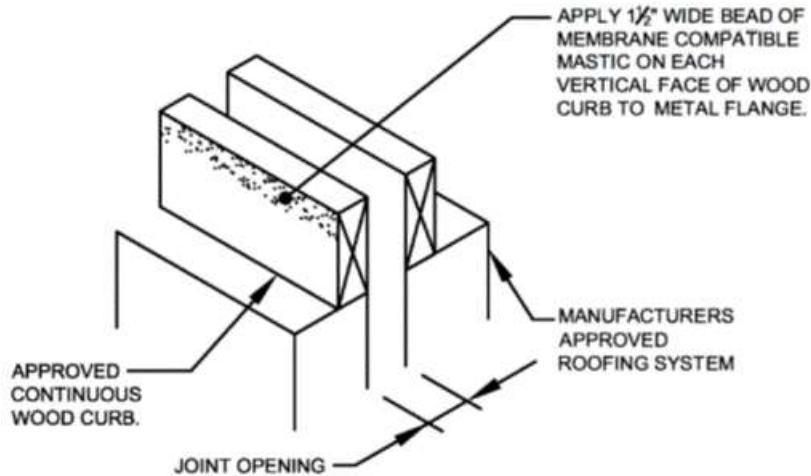


Figure 1.1

2. Set flange in membrane compatible mastic and nail to vertical surface of roof curb w/ (1) 1¾" roof nail at 8" o.c. start nails 1" from flange end. **See Figure 2**

*Repeat steps 1 and 2 as required being sure to provide ½" gap between ends of product sections. **See step 3.**

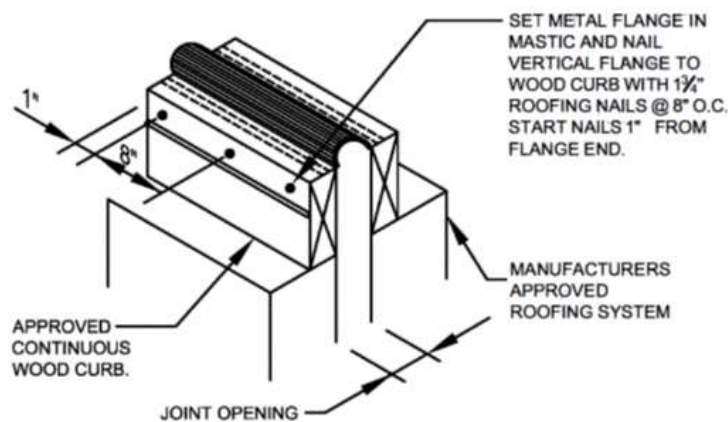


Figure 2

3. Repeat steps 1 and 2 for remaining sections of product being sure to provide 1/2" gap between ends of sections. **See Figure 3**

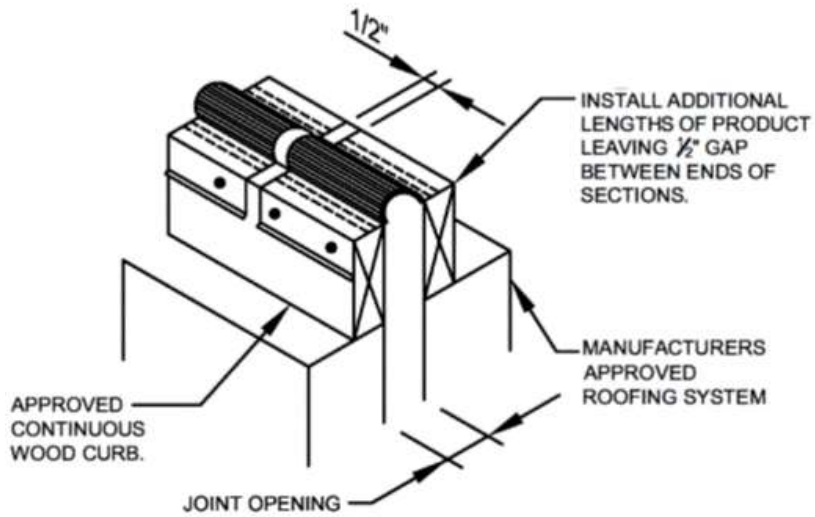


Figure 3

INSTALLATION EJN-ECFw



Nystrom Roof Bellows System (ECFw) is designed to match the EJN-ECF system in corner applications.

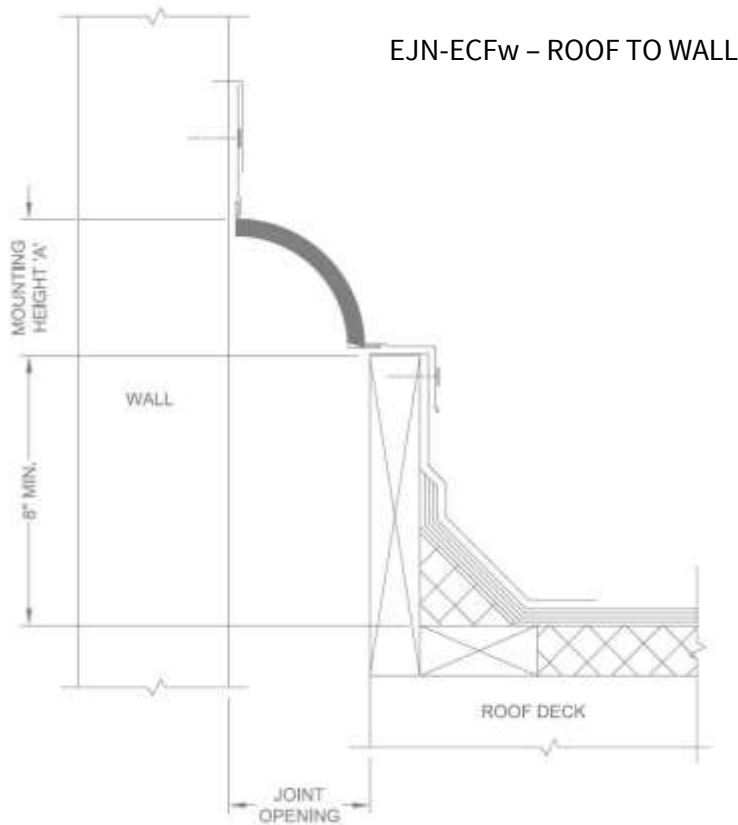


Figure #4

SEE INSTALLATION ADDENDUM 'A' FOR BELLOWS SIZES 18" AND GREATER (OPTIONAL)

The mounting height provided above are applicable for any condition in which the product is being mounted in a curb to wall condition. **See Chart Figure**

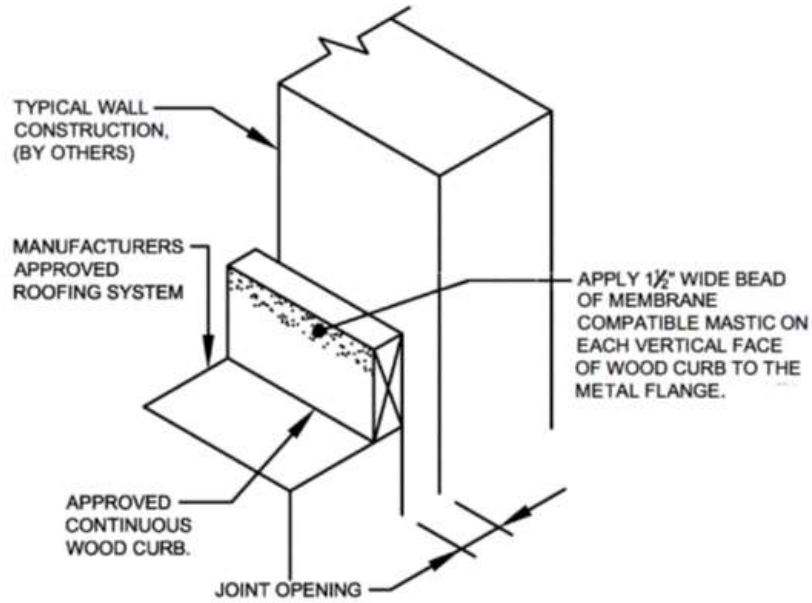
**BELLOWS MOUNTING HEIGHT 'A' FOR
ROOF TO WALL ATTACHMENT**

BELLOWS WIDTH	MOUNTING HEIGHT 'A'
4"	2 1/2"
6"	3 3/4"
8"	5 1/8"
10"	6 3/8"
12"	7 1/2"
14"	8 3/4"
16"	10 1/4"
18"	11 1/2"
20"	12 3/4"
22"	14"
24"	15 1/4"

Chart Figure

- Note: Step 4 not required for ECF material provided in 10' lengths. Apply membrane compatible mastic on horizontal surface of roof curb to receive the metal flange. Install one flange at a time. **See Figure 4**

Figure 4



5. Set flange in membrane compatible mastic and nail to vertical surface of roof curb w/ (1) 1 3/4" roof nail at 8" o.c. start nails 1" from flange end. **See Figure 5**

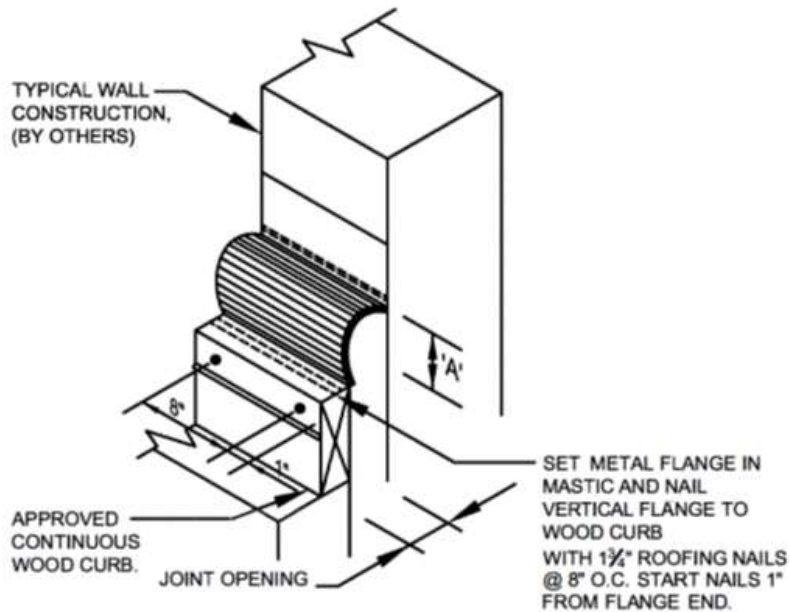


Figure 5

6. Fold over wall flange to gain access to attachment location. Snap chalk line 4" above mounting height 'a'. See mounting height 'a' chart for correct dimension. Apply membrane compatible mastic on 4" wide area to receive metal wall flange. **See Figure 6**

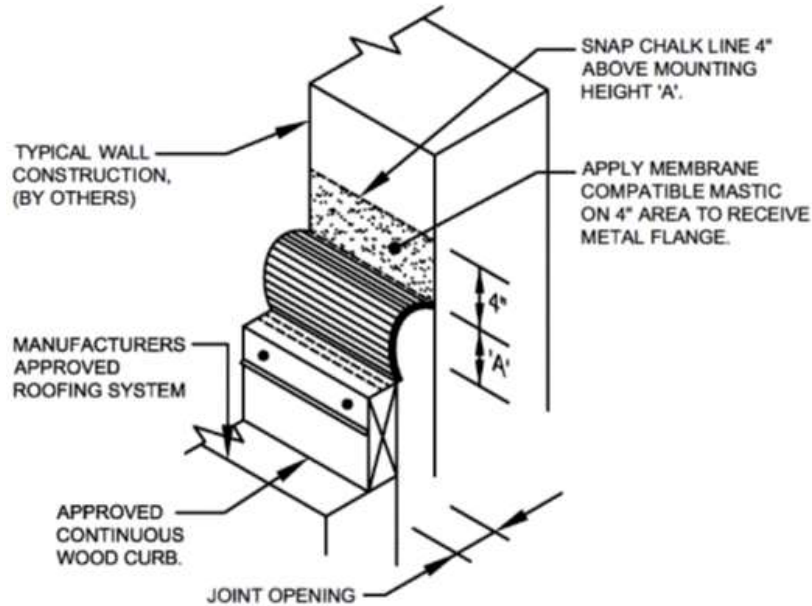


Figure 6

7. Set wall flange in membrane compatible mastic and nail to wall construction w/ (1) appropriate fastener at 8" o.c. start fasteners 1" from flange end. **See Figure 7**

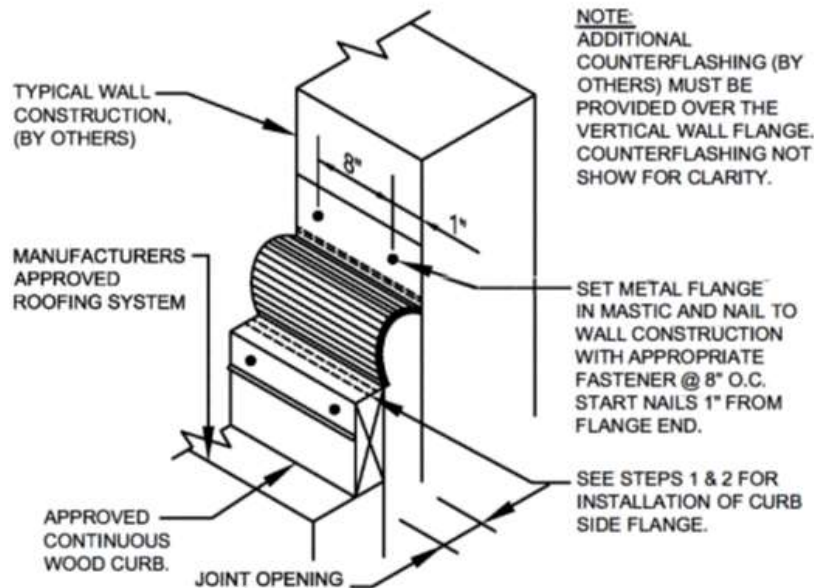


Figure 7

- Repeat steps 1 - 4 for remaining sections, being sure to provide $\frac{1}{2}$ " gap between ends of sections. **See Figure 8**

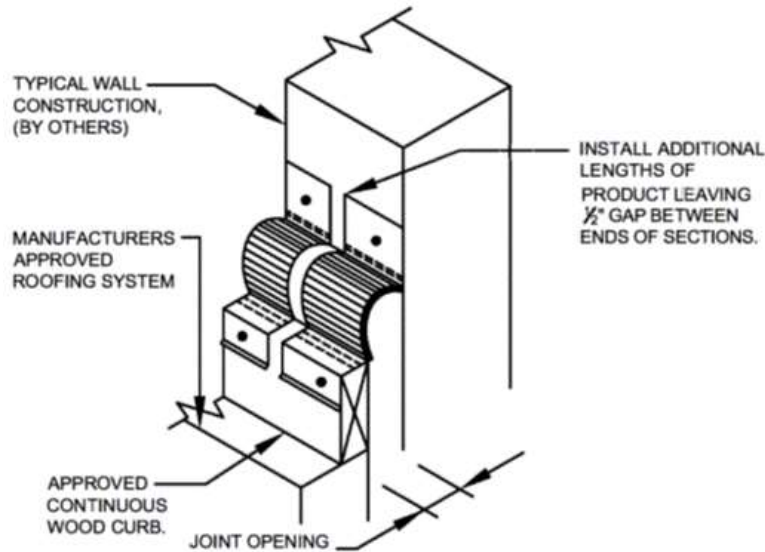


Figure 8

SPLICING INSTRUCTIONS

General notes: these installation instructions represent the correct installation procedure for a 6" wide splice tab which is included for bellows sizes 4" through 12". The dimensions indicated in these instructions must be adjusted accordingly for bellows sizes larger than 12" which will include a 9" wide splice tab.

- Measure 3" to each side of $\frac{1}{2}$ " gap between lengths. Using provided brush prime metal flanges and bellows. Allow primer to dry to tack free. Typical at each splice location.

See Figure 1

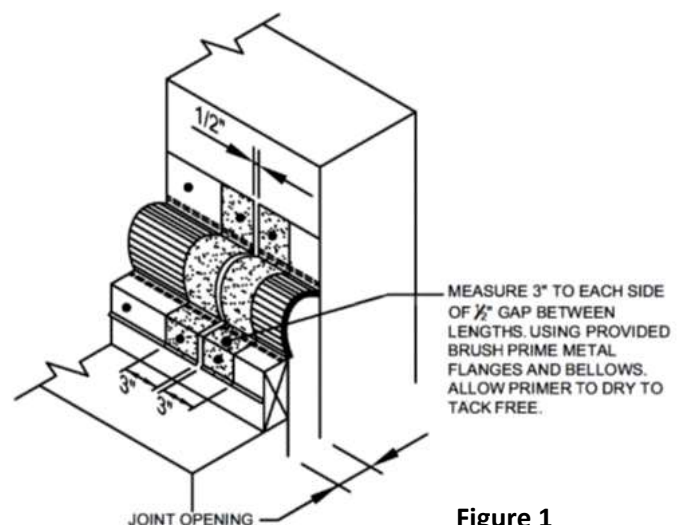
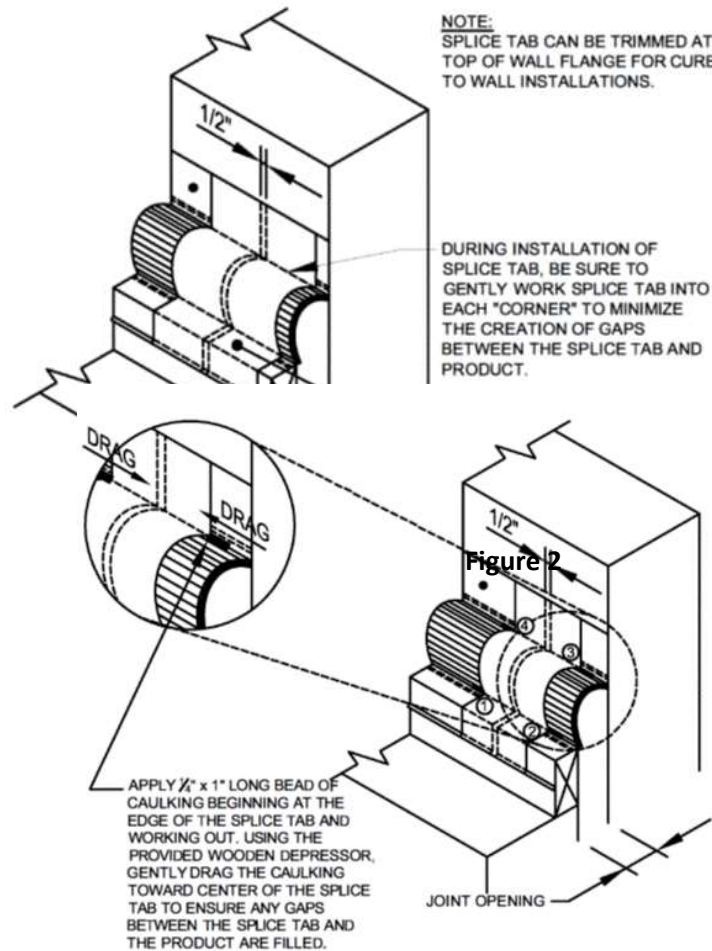


Figure 1

2. Install provided 6" wide peel and stick splice tab. Remove paper backing ahead of splice tab application. After installation of splice tab be sure to work splice tab into each bead of caulk. **See Figure 2**

3. Apply 1/4" caulking of the out.



x 1" long bead of
beginning at the edge
splice tab and working
Using the provided

wooden depressor, gently
toward center of the splice
between the splice tab and the product are filled. Typical at four location per splice tab
and typical @ each spliced location. **See Figure 3**

Figure 3

drag the caulking
tab to ensure any gaps

4. For roof to wall installations provide continuous counterflashing (by others) over wall flange. See Figure 4

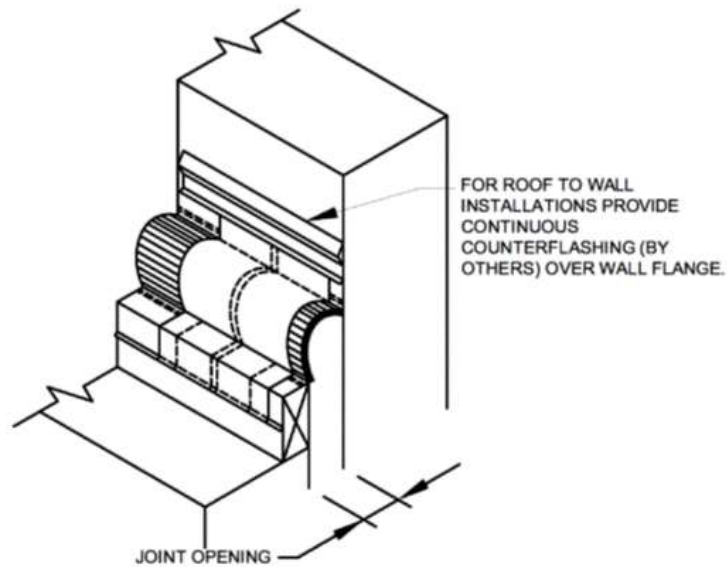
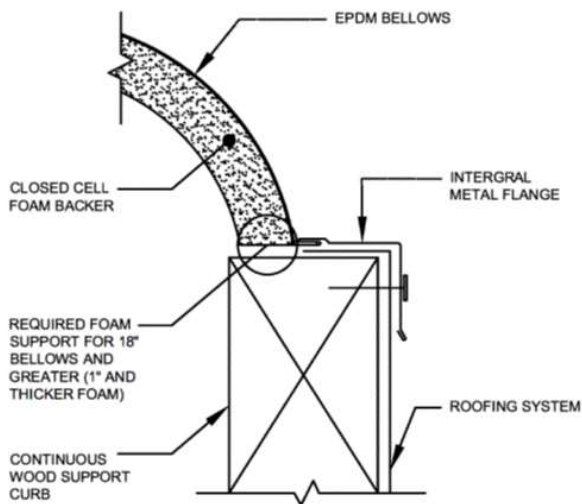


Figure 4

ADDENDUM 'A'

INSTALLATION ADDENDUM FOR BELLOWS SIZES 18" AND GREATER



Installation notes:

- Install all factory fabricated intersections and transitions first. Follow the appropriate steps included in the installation instruction for these items.
- Leave 1/2" gap between the start of straight sections and all intersections and transitions.

- The building/roof surfaces to which the product is to be installed should be smooth, clean, and free of any dirt and debris.
- Install with the foam backer facing the inside of building. Do not expose foam to weather.
- See splicing instructions above.

OPERATION

Expansion Joints are designed and built for years of dependable service.

MAINTENANCE

Annual inspections should be performed to make sure the system is still in position. Repair and/or replace as needed.

QUESTIONS?

For more information on installation, repair or replacement, please visit [nystrom.com](https://www.nystrom.com)