

ROOF BELLOW SYSTEM COVER MEMBRANE APPLICATION

Model(s): EJN-EWCF/EWCFw

GENERAL DESCRIPTION



Nystrom Continuous Roof Curb Bellows System is an effective, flexible joint closure for a wide variety of standard and special applications. The system is designed for a continuous length for limited or no splices along the joint. The product covers are 60-mil thick, reinforced EPDM bellows widely used in curb-to-curb applications.

Introduction + Safety

Please read the complete instructions carefully before beginning any work. To ensure proper

GENERAL SAFETY PRECAUTIONS Improper selection, installation, or use can cause personal injury or property damage. It is solely the responsibility of the user, through its own analysis to select products suitable for their specific application requirements, ensure they are properly maintained, and limit their use to its intended purpose. Follow proper local, state, and federal regulations for proper installation and operation requirements.

installation and performance of the product, the following actions must be completed by the installing contractor. Failure to do so will affect product warranty.

Transportation + Storage

- Inspect all shipments and materials for missing or damaged components and hardware.
- Material must be stored in a clean, dry location.

Preparation

- Locate the packing slip(s) and/or shop drawings.
- Verify that all products listed on the packing slip are included in the package.
- Check the products for damage. If products are damaged, report a freight claim immediately and leave the products in their packaging. If you sign for products without reporting damage, you waive your right to a freight claim and will be responsible for their replacement cost.
- Read the instructions thoroughly before beginning installation.

Direct Service Done Right

Since 1948, Nystrom has been the go-to manufacturer of specialty building products providing a wide range of floor, roof, wall, ceiling and stair access products that create safer, more accessible buildings. We offer hassle-free services including access to technical experts, REVIT tools for BIM, HPDs for LEED v4, 3-part specifications and AIA-accredited continuing education courses.

Tool List

- Metal cutting snips
- Chalk line
- Tape measure
- Hammer
- Trowel

INSTALLATION

EJN-EWCF – ROOF TO ROOF

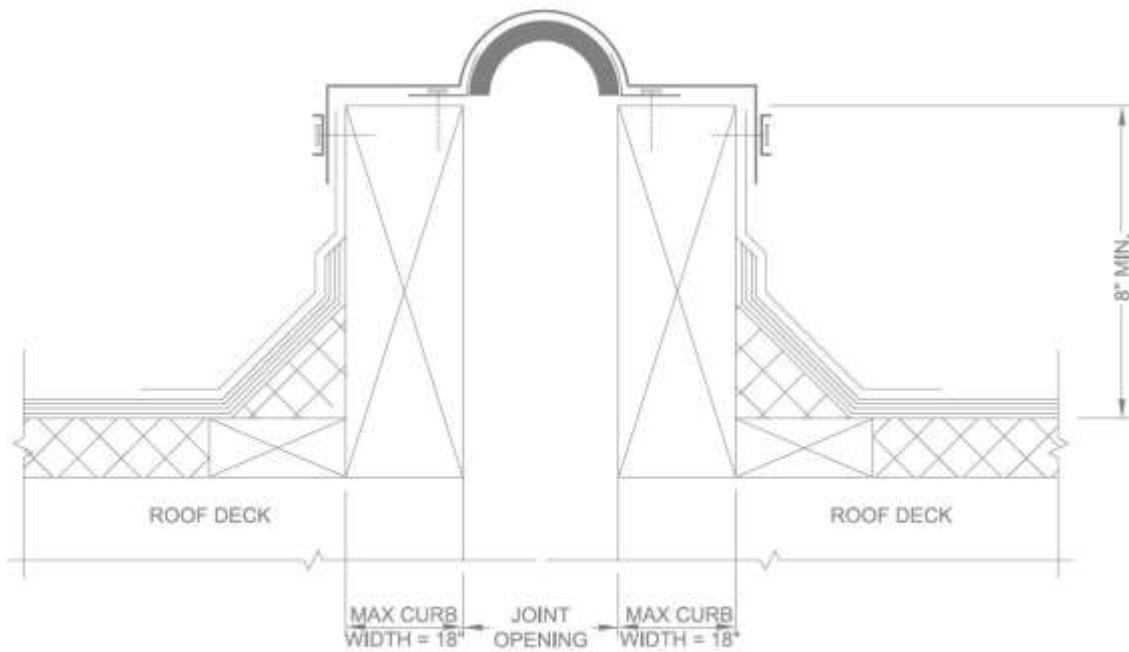


Figure #1

1. Set flange in membrane compatible mastic and nail to roof curb w/ (1) 1 3/4" roof nail at 4" o.c. Start nails 1/2" from flange end. **See Figure 1**

*Repeat steps 1 & 2 for opposite flange, being careful to align 2nd flange with curb edge to allow proper bellow shape.

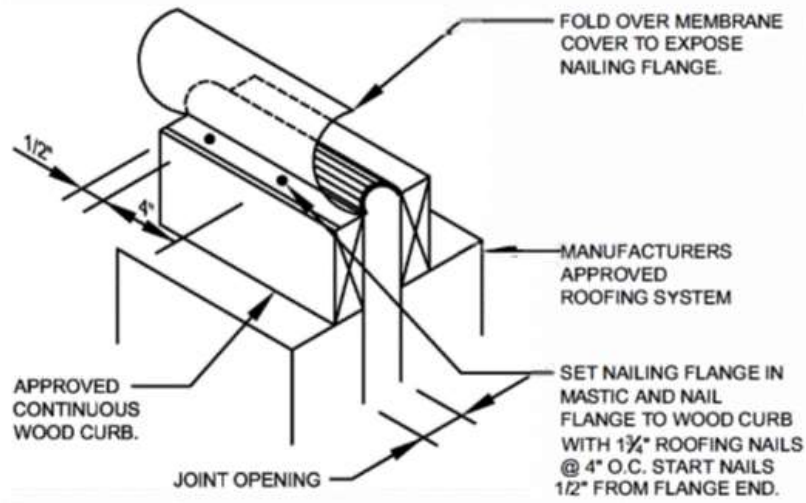


Figure 1

2. Repeat steps 1 and 2 for remaining sections of style EWCF, being sure to provide 1/2" gap between ends of sections. **See Figure 2**

*When installing additional sections of style EWCF be sure the 4" of membrane provided for the shiplap splice is folded over to the exterior.

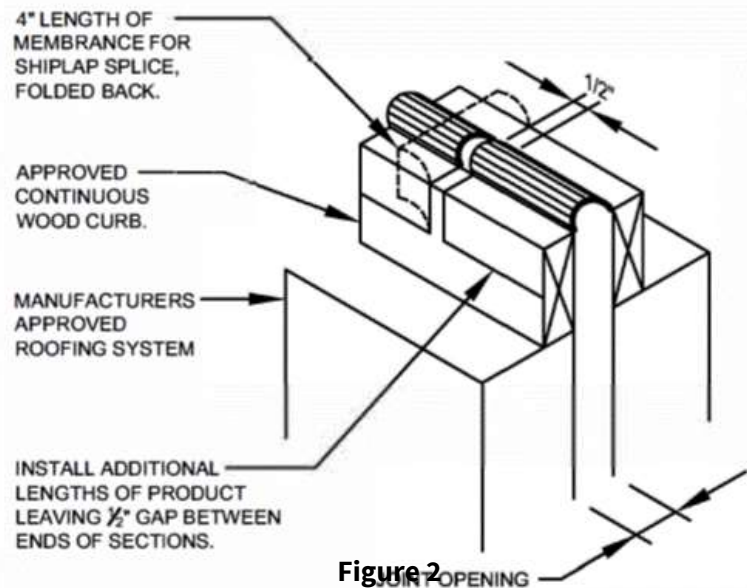


Figure 2

3. After all sections of style ewcf are installed, splices can be completed. Using provided brush & primer, prime both sides bellows to be shiplapped. Allow primer to dry to tack free. Type at each splice location. **See Figure 3**

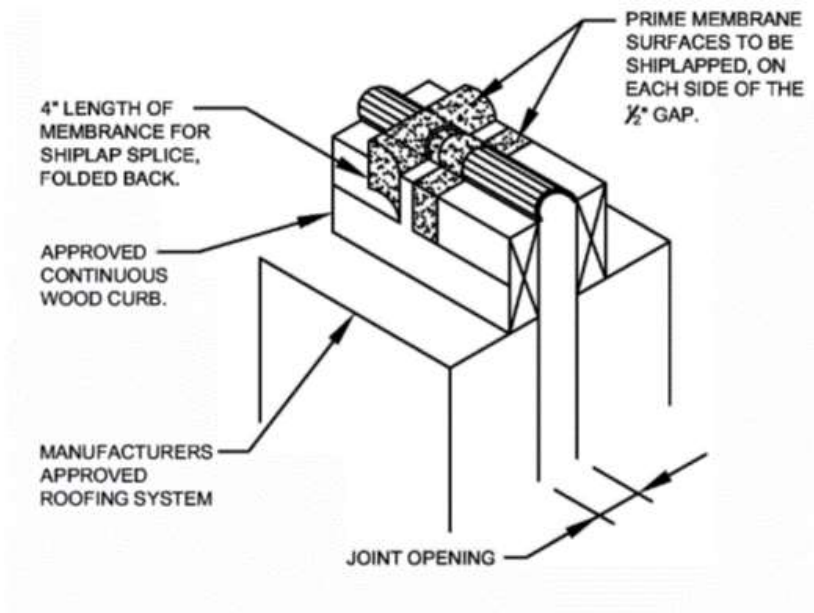


Figure 3

4. Install the provided 3" wide seam tape over the membrane end to be covered with shiplap membrane. Fold over the shiplap membrane onto the seam tape while peeling away the release paper of the seam tape. Smooth into place. Type at each splice location. **See Figure 4**

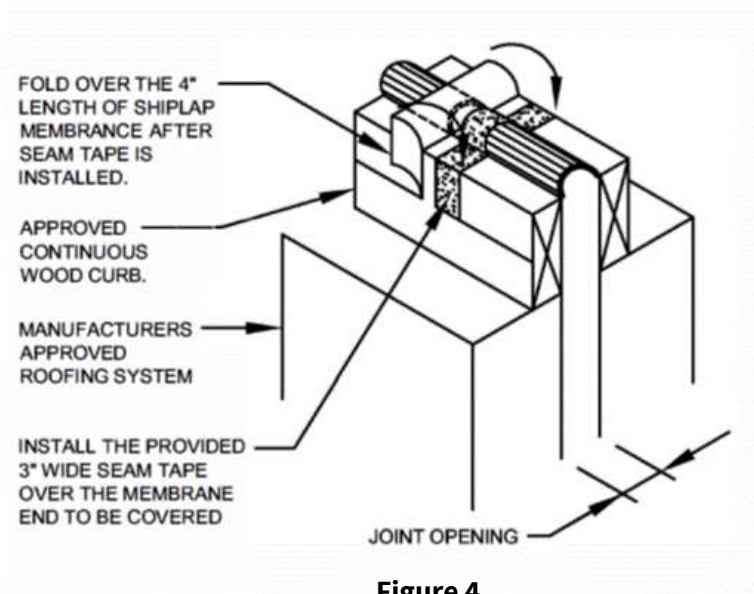


Figure 4

5. Measure approx. 4½" to each side of splice location. Using provided brush & primer, prime elastomeric bellows/cover. Allow primer to dry to tack free. Type at each splice location. **See Figure 5**

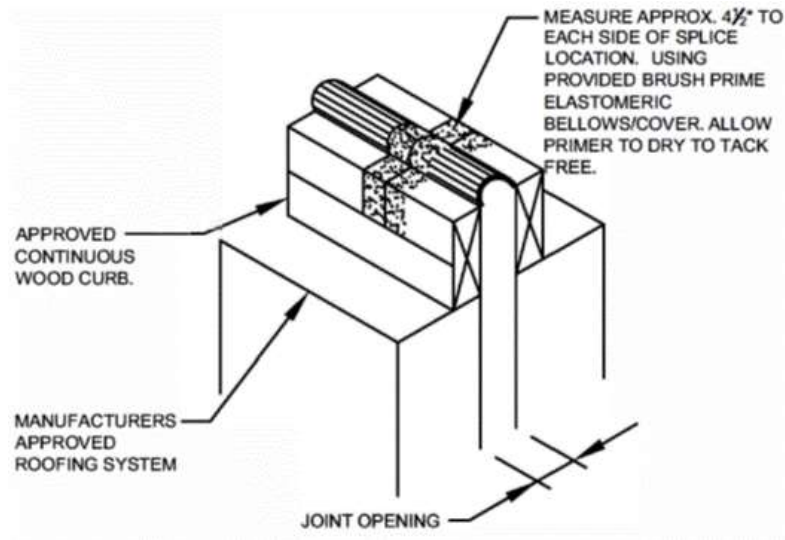


Figure 5

6. Install provided 9" wide peel and stick splice tab. Remove paper backing ahead of splice tab application. Type at each splice location. **See Figure 6**

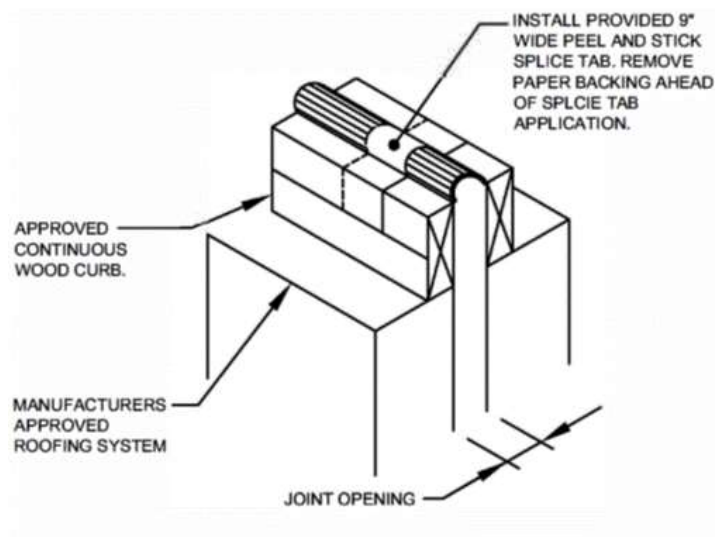


Figure 6

7. Install the provided termination bar along each side of the membrane cover and attach with 1 ¾" nails at 8" o.c. caulk along the top edge of the termination bar with membrane compatible mastic. **See Figure 7**

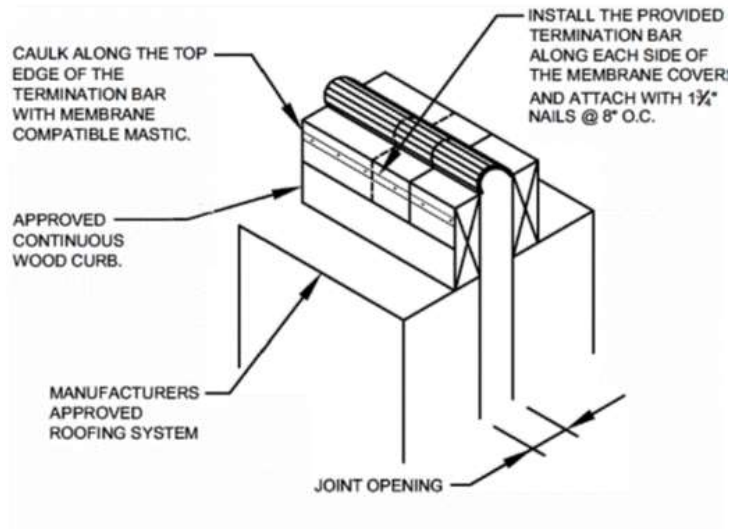


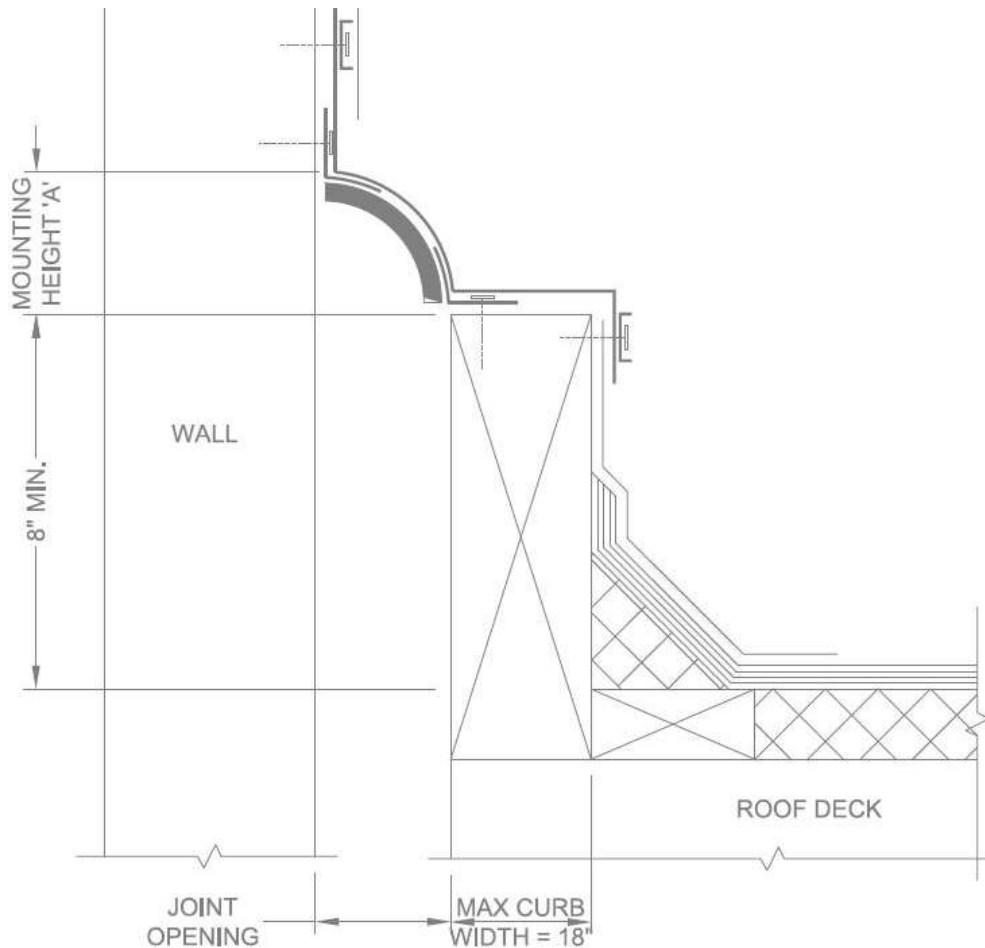
Figure 7



INSTALLATION

EJN-EWCFw - ROOF TO WALL

Nystrom Continuous Roof Curb Bellows System (EWCFw) is designed to match the EWCF system in corner applications.



The mounting height provided above are applicable for any condition in which the product is being mounted in a roof to wall condition. **See Chart**

**BELLOWS MOUNTING HEIGHT 'A' FOR
 ROOF TO WALL ATTACHMENT**

BELLOWS WIDTH	MOUNTING HEIGHT 'A'
4"	2 1/2"
6"	3 3/4"
8"	5 1/8"
10"	6 3/8"
12"	7 1/2"
14"	8 3/4"
16"	10 1/4"
18"	11 1/2"
20"	12 3/4"
22"	14"
24"	15 1/4"

Chart

9. Snap chalk line 2" above mounting height 'a'. See mounting height 'a' chart. Apply membrane compatible mastic on 2" wide area to receive nailing flange. **See Figure 8**

*Install curb side flange in accordance with steps 1 & 2 of the EWCF installation instructions

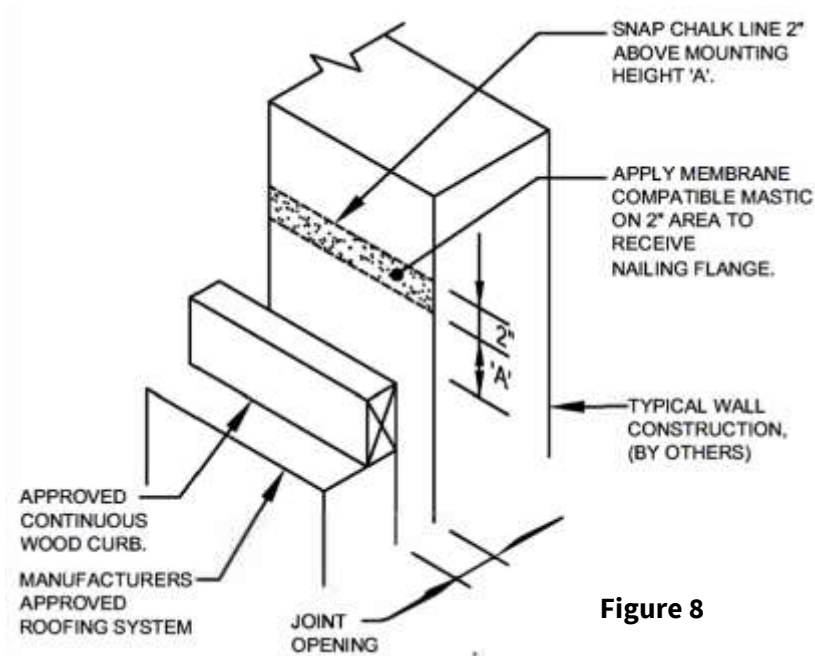


Figure 8

10. Set nailing flange in membrane compatible mastic and nail to wall construction with (1) fastener at 8" o.c. start nails 1" from flange end. **See Figure 9**

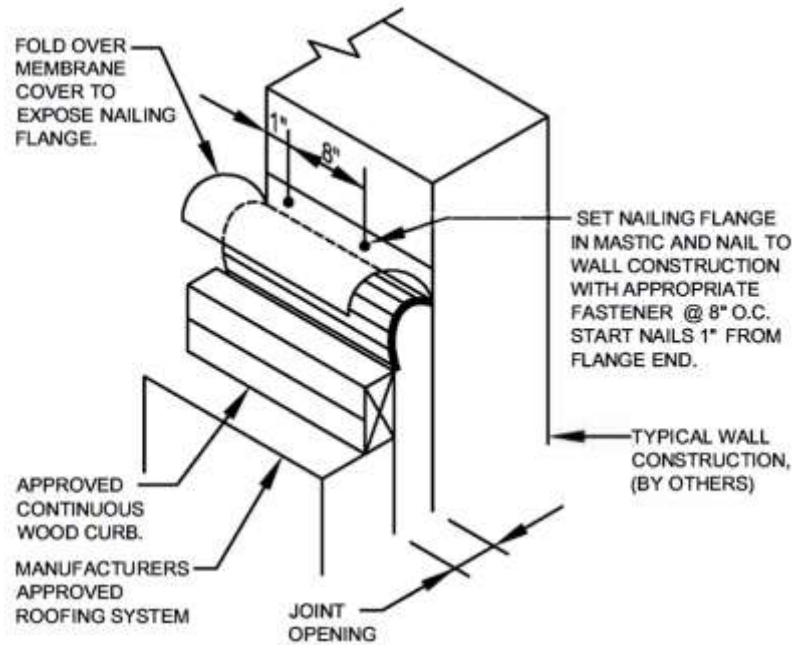


Figure 9

11. Repeat steps 1 and 2 for remaining sections of style EJM-EWCFW, being sure to provide 1/2" gap between ends of sections.

sections

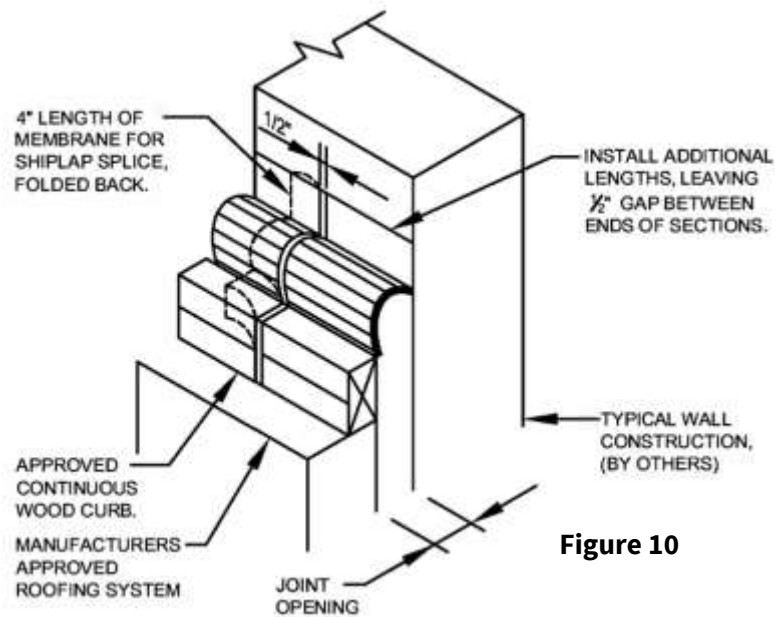


Figure 10

*When installing additional sections of style EJM-EWCFW be sure the 4" of membrane provided for the shiplap splice is folded over to the exterior.

12. After all section of style EWCFW are installed, splices can be completed. Using provided brush and primer, prime both sides bellows to be shiplapped. Allow primer to dry to tack free. Typical at each splice location. **See Figure 11**

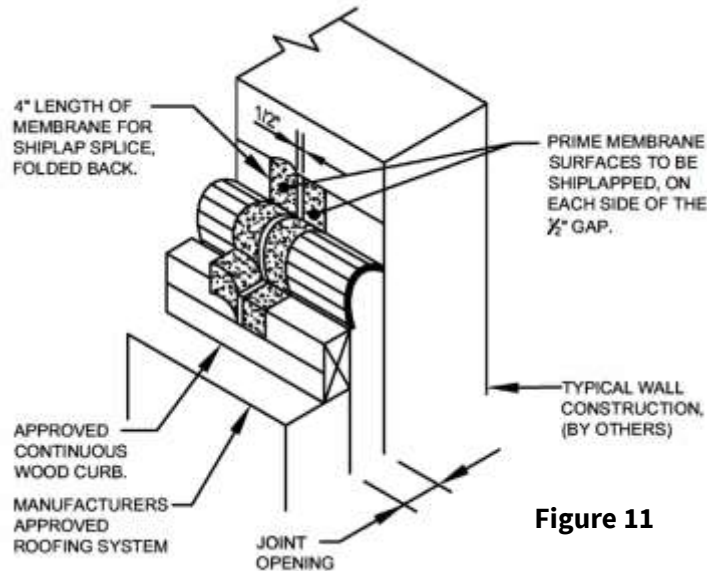


Figure 11

13. Install the provided 3" wide seam tape over the membrane end to be covered with shiplap membrane, fold over the shiplap membrane onto the seam tape while peeling away the release paper of the seam tape. Smooth into place. Typical @ each splice

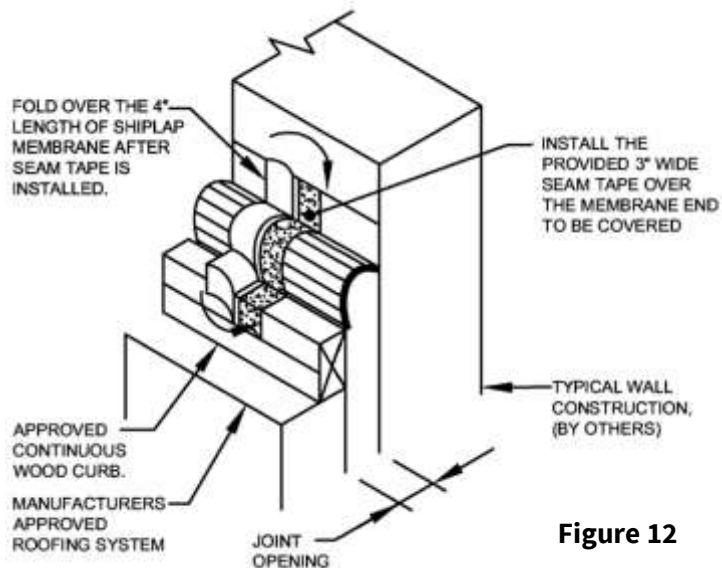


Figure 12

location. **See Figure 12**

14. Measure approx. 4½" to each side of splice location. Using provided brush & primer, prime membrane bellows/cover. Allow primer to dry to tack free. Typical@ each splice location. **See Figure 13**

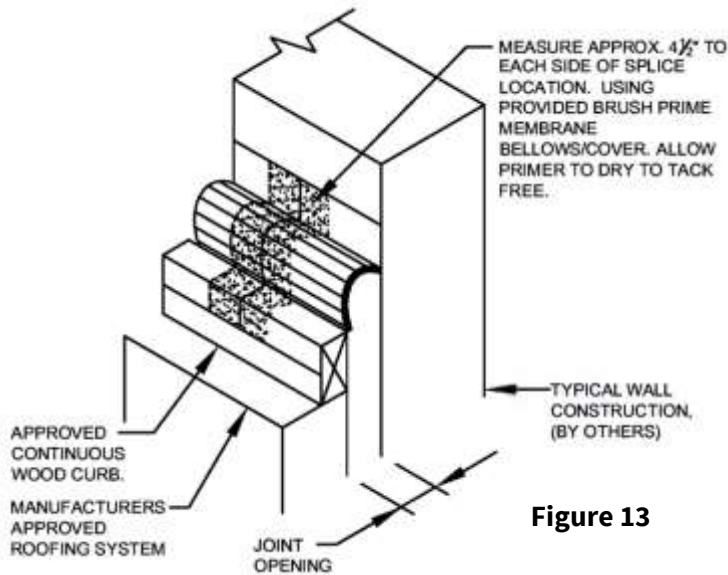


Figure 13

15. Install provided 9" wide peel and stick splice tab. Remove paper backing ahead of splice tab application. Typical @ each splice location. **See Figure 14**

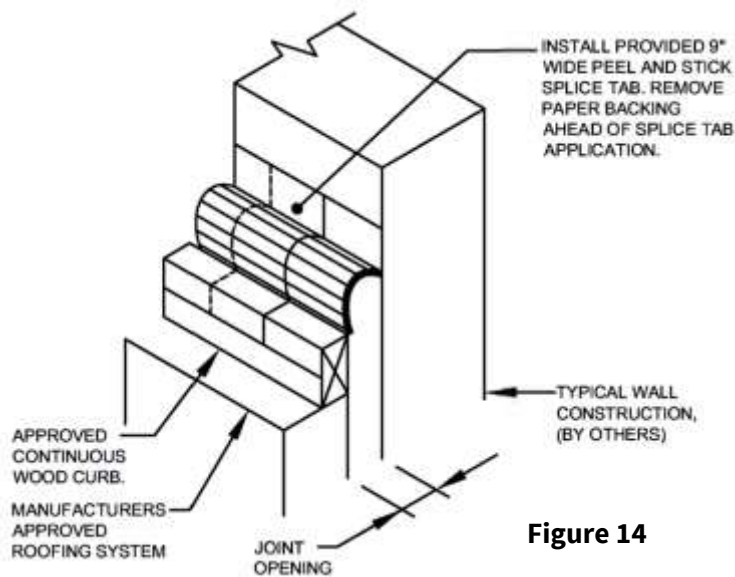
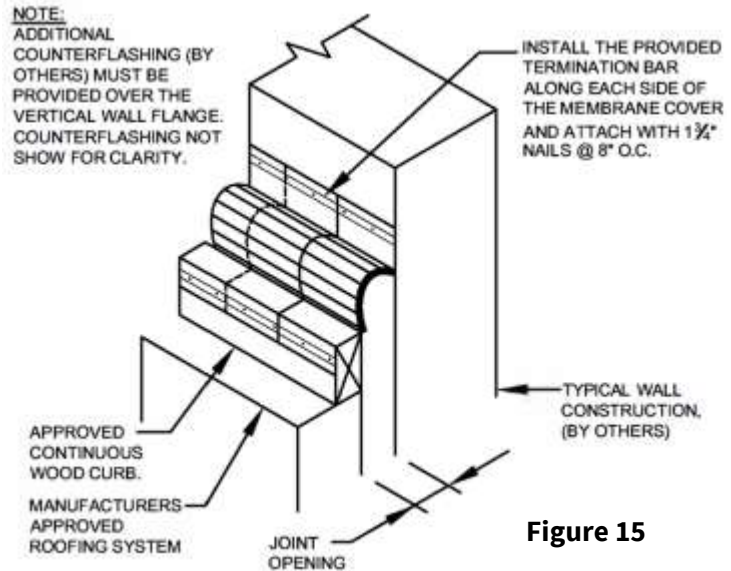


Figure 14

16. Install the provided termination bar along each side of the membrane cover and attach with appropriate fasteners @ 8" o.c. caulk along the top edge of the termination bar with membrane compatible mastic. **See Figure 15**



INSTALLATION NOTES:

- Install all factory fabricated intersections and transitions first. Follow the appropriate steps included in the installation instruction for these items.
- The building/roof surfaces to which the product is to be installed should be smooth, clean, and free of any dirt and debris.
- Install with the foam backer facing the inside of building. Do not expose foam to weather.

OPERATION

Expansion Joints are designed and built for years of dependable service.

MAINTENANCE

Annual inspections should be performed to make sure the system is still in position. Repair and/or replace as needed.

QUESTIONS?

For more information on installation, repair, or replacement, please visit nystrom.com