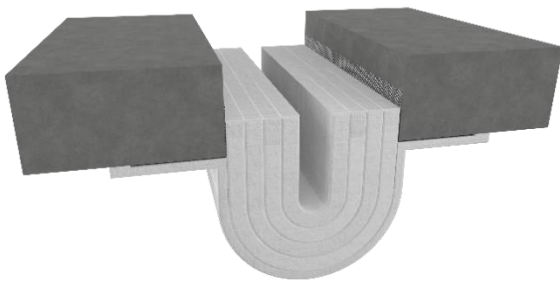


SEISMIC FIRE BARRIER FLOOR SYSTEM – BOTTOM MOUNT APPLICATION

MODEL(S): EJN-FLF-BM / EJN-FLW-BM SERIES

Fire Barrier System – 6” Through 24” Sizes



GENERAL DESCRIPTION

Expansion Joint Systems are an important life safety requirement in current building codes. These systems allow safe movement when buildings shift due to expansion & contraction. The following are general instructions for installing, operating, and maintaining this specific fire barrier system.

GENERAL SAFETY PRECAUTIONS Improper selection, installation, or use can cause personal injury or property damage. It is solely the responsibility of the user, through their own analysis, to select products suitable to the specific application requirements, ensure proper maintenance and use as intended. Follow local, state, and federal regulations for proper installation and operation requirements.

Introduction + Safety

Please read the complete instructions carefully before beginning any work. To ensure proper installation and performance of the product, the following actions must be completed by the installing contractor. Failure to do so will affect the product warranty.

Transportation + Storage

- Inspect all shipments and materials for missing or damaged components and hardware.
- Material must be stored in a clean, dry location.

Preparation

- Locate the packing slip(s) and/or shop drawings.
- Verify that all products listed on the packing slip are included in the package.
- Check the products for damage. If products are damaged, report a freight claim immediately and leave the products in their packaging. If you sign for products

without reporting damage, you waive your right to a freight claim and will be responsible for their replacement cost.

- Read the instructions thoroughly before beginning installation.

Tool List

- Tape measure
- Chop saw to cut product to length
- Electric drill with appropriate bits
- Ø1/4" x 1-3/4" Lg. concrete/wood screw w/ washer
- Ø3/16" x 2-1/2" Lg. concrete/self-drilling screw w/ washer
- Tin snips or angle grinder
- Broom & dustpan or vacuum
- Level
- Utility knife
- 1" wide putty knife

Included with the expansion joint system:

- UL-rated fire caulk

Preinstallation

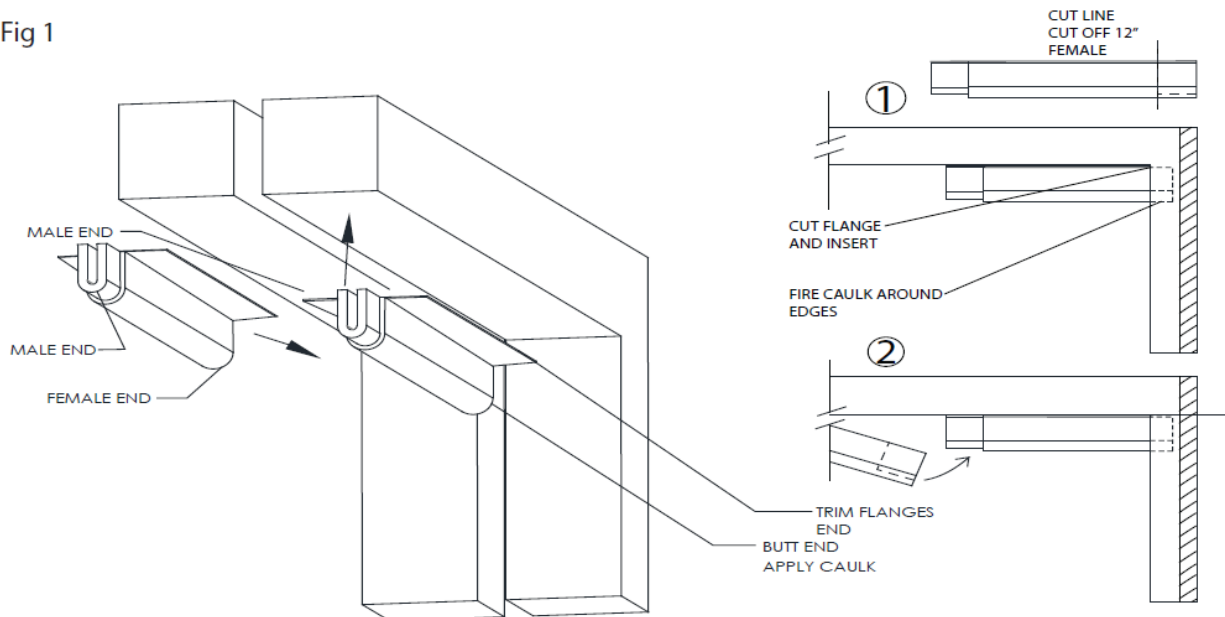
NOTE: STORE AND INSTALL BLANKETS SUCH THAT THE PRODUCT REMAINS DRY.

1. Verify that the structural gap and blockout dimensions are in conformance with submittal data before beginning installation. Certification of this product was completed by Guardian and Intertek Testing Laboratories. Product must be installed in accordance with these installation instructions.
2. For vertical (wall) conditions single sided and double-sided blankets are available. For single sides product, ensure drape of blanket faces "potential threat" side of wall.
3. If job site specific conditions exist, these general installation instructions do not take place of an engineering evaluation if required. Any modifications made to the product without documented manufacturing direction will void the warranty.
4. EJN-FLF-BM / EJN-FLW-BM is delivered pre-assembled. Transitions/directional changes must be installed first. TIP: If blanket assembly appears to be too wide to install, compress the sides of the blanket by laying it on its side and using a protective wood board, apply foot pressure. This will allow the blanket to regain its intended shape.
5. **Fire Caulk Disclaimer:** Nystrom provides 1 to 2 tubes of fire caulk (depending on order size) at no charge. Should additional caulk be required due to project or site complexity, additional caulk to be provided by others.

INSTALLATION (Bottom Mount Only)

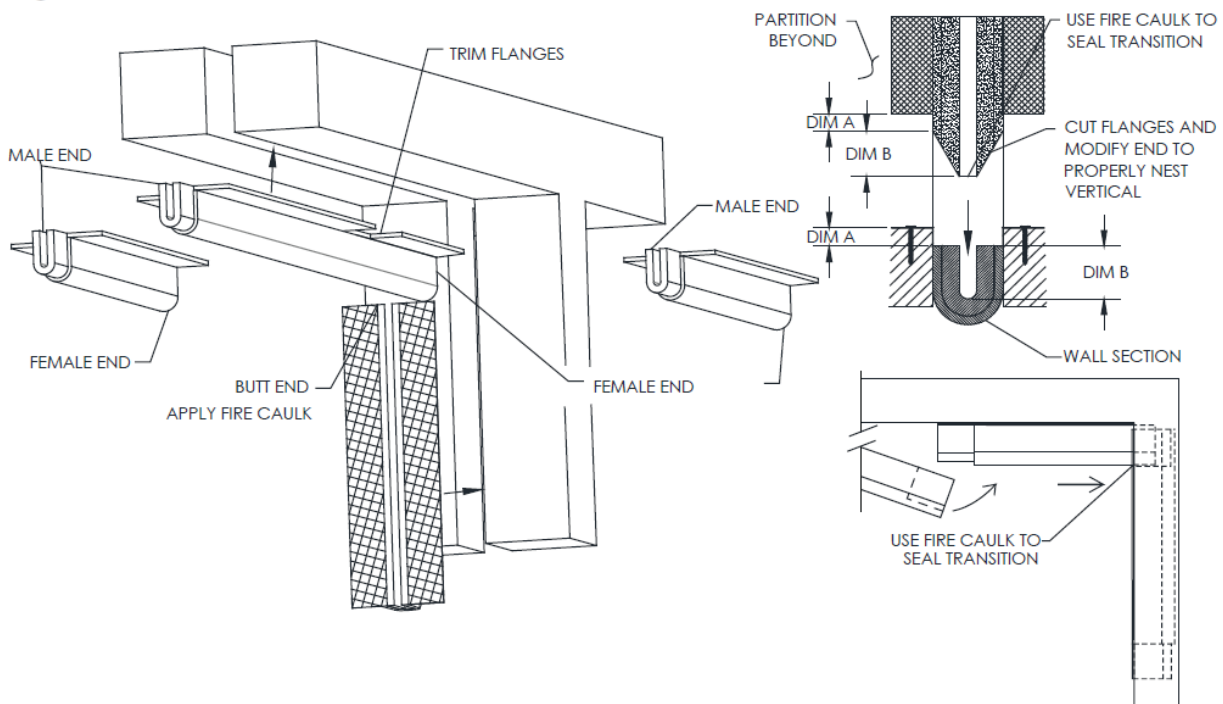
1. Remove the female end to create a butt end. Start at the outside wall with the butt end. Measure the depth of the wall to the back of the exterior cover, and cut the flange on the butt end that distance. Insert the end into the wall up to the exterior expansion cover. The standard EJN-FLF-BM Fire Barrier has 12" [305mm] overlap at each end. One end is the male and the other is the female. Sections are 4ft [1.2m] long.
2. Install the next section, nesting the female on to the male tightly.
3. If the exterior wall is fire rated reference Figure 1a vertical wall fire barrier instructions.
4. Complete the installation by installing all the female to female transitions. **See Figure 1.**

Fig 1

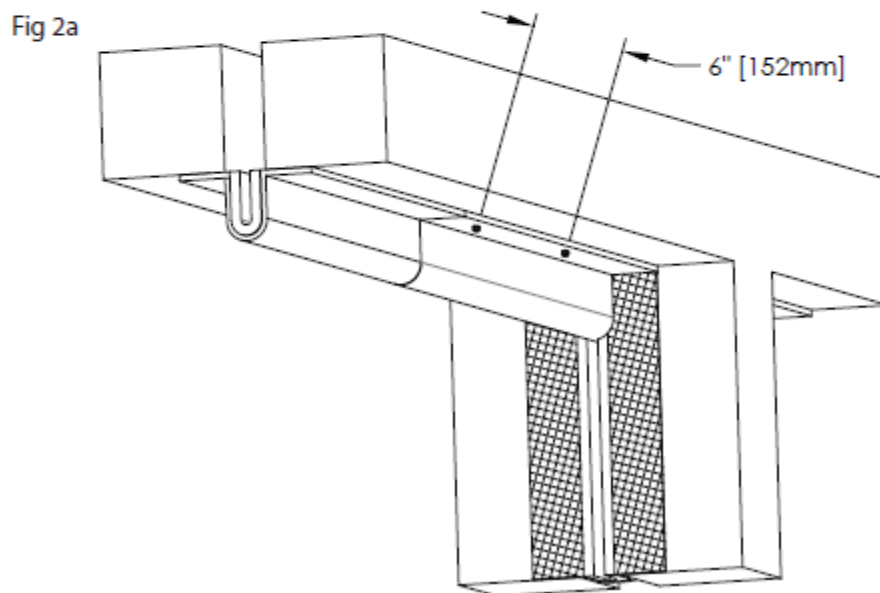
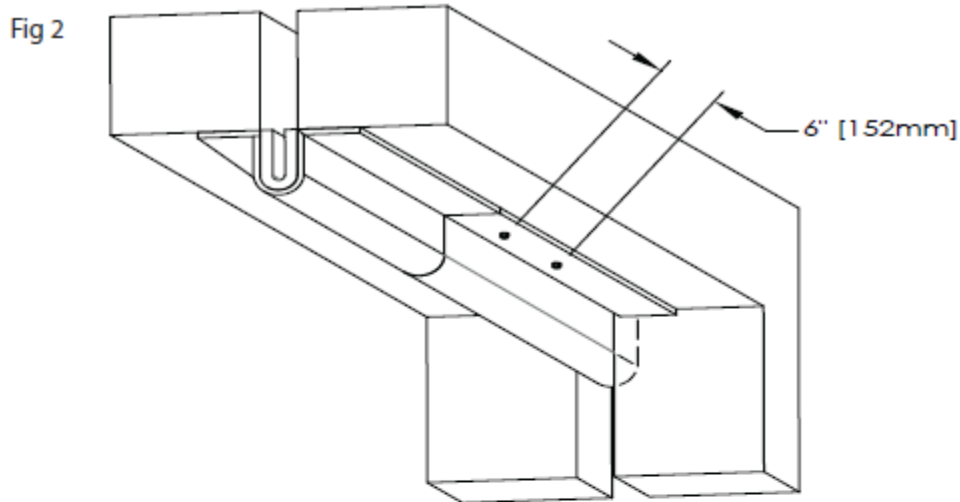


5. When you reach an interior wall measure the distance from the edge of the wall to the edge of the flange. Mark the distance on the flange on the next section of the fire barrier. Measure the depth of the wall and trim the flanges that distance from the mark.
6. Slide the fire barrier through the wall to the section of the fire barrier. The trimmed flanges must line up with the wall.
7. If the wall is fire rated you must use a vertical butt end up to the bottom mount fire barrier.
8. Apply 3M CP25 fire caulk to the edge of the vertical butt end. Press tight to the bottom mount fire barrier. Be sure there are no voids between the two. **See Figure 1a.**

Fig 1a



9. Flanges are expanded metal. Ensure flanges are pressed thigh and held flat to the substrate.
10. Utilize hardware appropriate to the substrate (supplied by others) with a maximum spacing of 6" [152mm] O.C. Treat the heads of each mounting screw with fire caulk. The recommended hardware is: 1/4" [6mm] x 1-3/4" [44mm] concrete/wood screw w/ washer. **See Figure 2 & 2a.**



11. Fasten the vertical wall flange first, make sure the top of the blanket is even with the bottom of the floor. Then fasten the horizontal fire barrier to the floor. **See Figure 3 & 3a.**

Fig 3

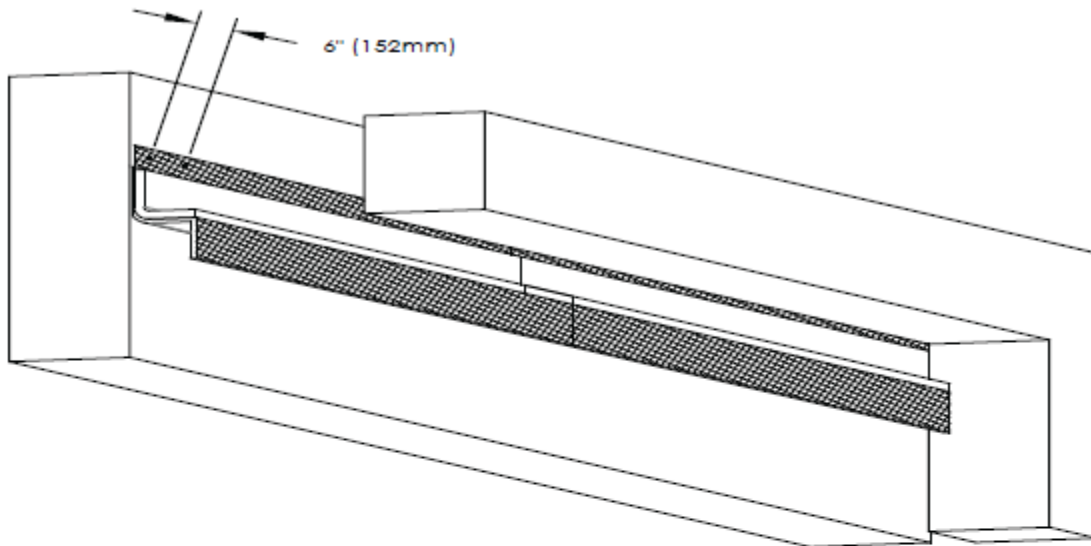
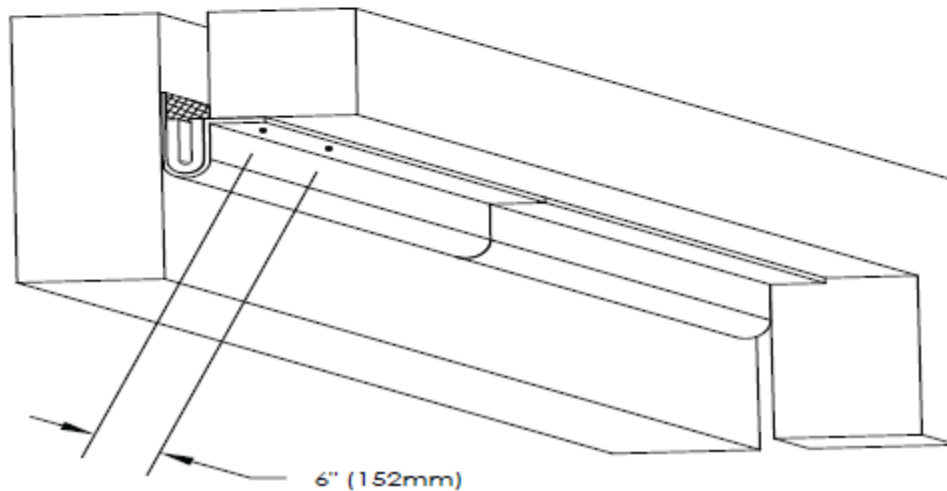


Fig 3a



OPERATION

Expansion Joints are designed and built for years of dependable service.

MAINTENANCE

Perform annual inspections to make sure the system is in position; all fasteners are tight and in place and there is no impedance of joint cover movement. Repair and/or replace as needed.

QUESTIONS?

For more information on installation, repair, or replacement, please contact Customer & Sales Support at 800-547-2635 or visit nystrom.com