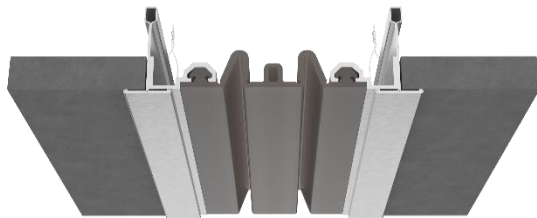


SEISMIC ELASTOMERIC CORRIDOR CEILING SYSTEM – ACOUSTICAL TILE APPLICATION

MODEL(S): LCE/LCEw

LCE Ceiling to Ceiling Cover System



GENERAL DESCRIPTION

The Seismic Elastomeric Ceiling System uses an aluminum channel attached to the grid system above the sight line. The finished elastomeric seal comes in four colors to match the surrounding substrate and finish material. This system accommodates seismic movement.

GENERAL SAFETY PRECAUTIONS Improper selection, installation, or use can cause personal injury or property damage. It is solely the responsibility of the user, through their own analysis, to select products suitable to the specific application requirements, ensure proper maintenance and use as intended. Follow local, state, and federal regulations for proper installation and operation requirements.

Introduction + Safety

Please read the complete instructions carefully before beginning any work. To ensure proper installation and performance of the product, the following actions must be completed by the installing contractor. Failure to do so will affect the product warranty.

Transportation + Storage

- Inspect all shipments and materials for missing or damaged components and hardware.
- Material must be stored in a clean, dry location.

Preparation

- Locate the packing slip(s) and shop drawings.
- Verify that all products listed on the packing slip are included in the package.
- Check the products for damage. If products are damaged, report a freight claim immediately and leave the products in their packaging. If you sign for products without reporting damage, you waive your right to a freight claim and will be responsible for their replacement cost.

- Read the instructions thoroughly before beginning installation.

Tool List

- Tape measure
- Chop saw to cut product to length
- Drill for installing fasteners
- Utility knife

Included with the expansion joint system:

#6 x 1/2" Sheet metal screw

Preinstallation

1. Inspect that the ceiling system was properly constructed and the joint opening matches what is required by the shop drawings.
2. Remove ceiling grid on both sides of the joint opening to ease installation.

INSTALLATION

1. Position aluminum extrusions on the inside lip of the "T" grid as shown and attach with #6 self-drilling screws (included) 18" on center. **See Figure 1.**

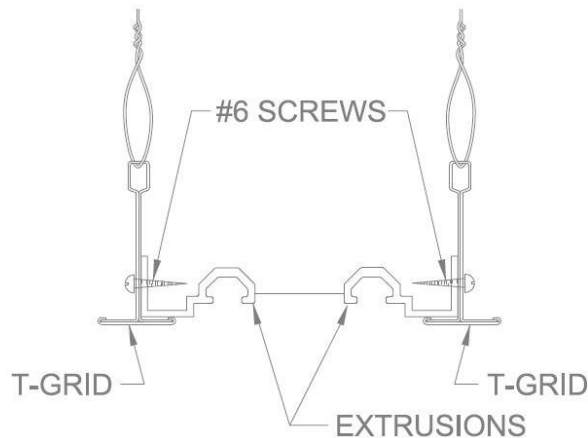


FIGURE 1

2. Position the elastomeric seal into position and push the seal bulbs into the extrusion channels as shown. Make sure you hold the “T” grid securely and seat the bulbs all the way into the channel. Do not stretch the seal lengthwise during installation. **See Figure 2.**

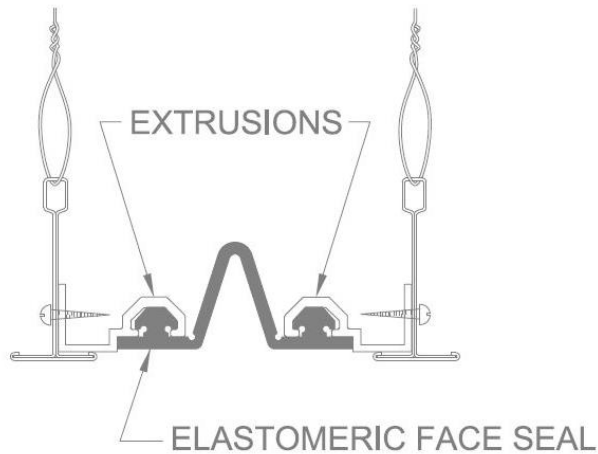


FIGURE 2

3. Replace the ceiling tile on both sides of the joint opening. **See Figure 3.**

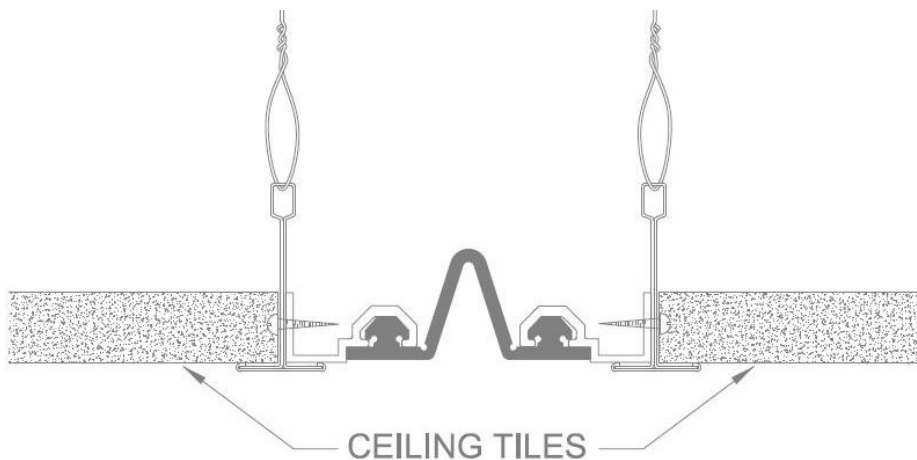
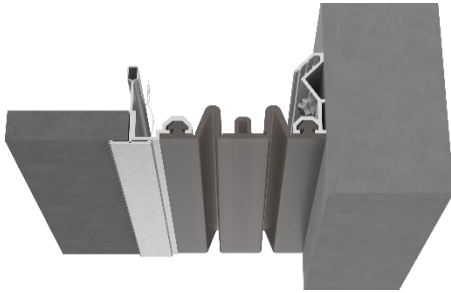


FIGURE 3

LCEw Ceiling to Corner Cover System



GENERAL DESCRIPTION

The Seismic Elastomeric Ceiling System uses an aluminum channel attached to the grid system above the sight line. The finished elastomeric seal comes in four colors to match your surrounding substrate and finish material. This system accommodates seismic movement.

INSTALLATION

1. Position aluminum extrusion on the inside lip of the “T” grid as shown and attach with #6 self-drilling screws (included) 18” on center. On the wall side, position the corner extrusion so the extrusion channels are level with each other. Fasten with anchors (by installer) into the structural support. **See Figure 1.**

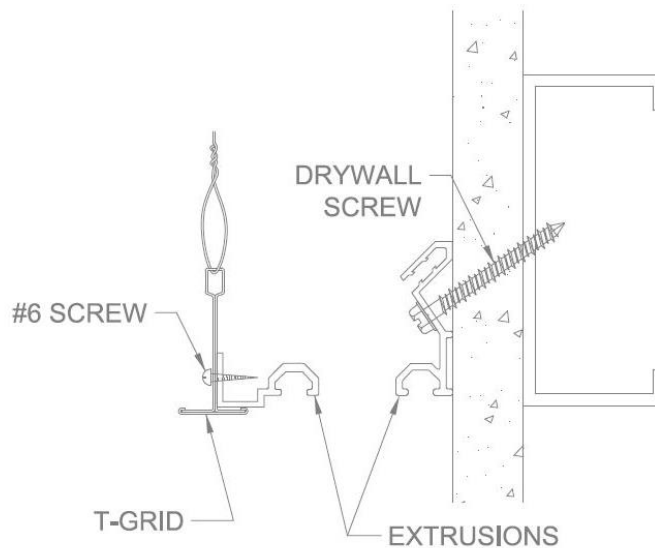


FIGURE 1

2. Position the elastomeric seal into position and push the seal bulbs into the extrusion channels as shown. Make sure you hold the “T” grid securely and seat the bulbs all the way into the channel. Do not stretch the seal lengthwise during installation. **See Figure 2.**

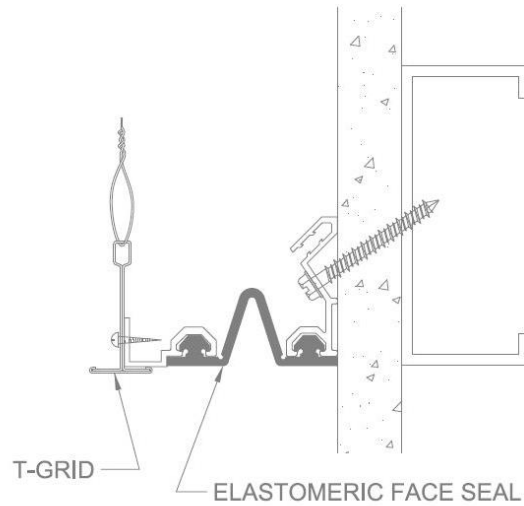


FIGURE 2

3. Replace the ceiling tile on the non-wall side of the joint opening. **See Figure 3.**

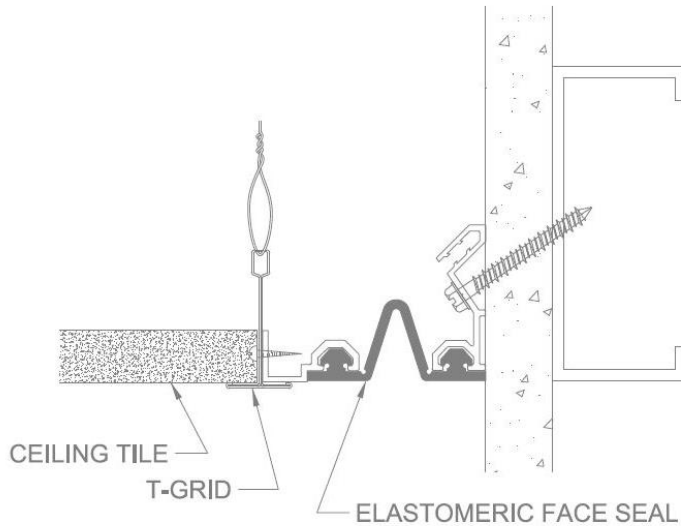


FIGURE 3

FIELD SPLICE FOR ELASTOMERIC V-SEAL

1. After determining the angle needed, use a miter box and a non-serrated saw (teeth removed) and cut ends of seal clean, straight and square. **See Figure 1**

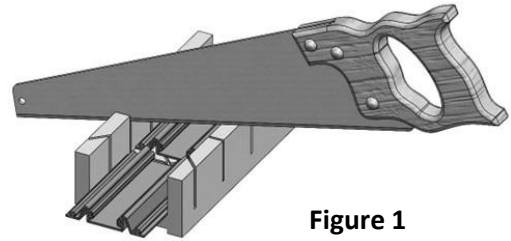


Figure 1

2. After donning the proper PPE, use a solvent (by others) that is safe for elastomeric materials and clean any residual material from the cut ends of the seals. Allow to dry prior to Step #3.

See Figure 2

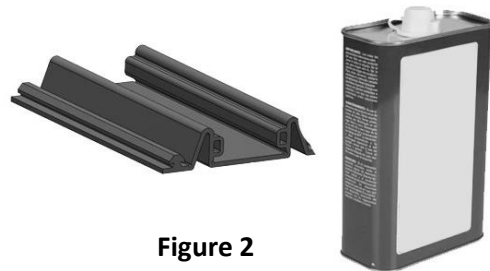


Figure 2

Straight Butt Splice

Insert splice clips (if required) (part # 27511) halfway into the alignment holes on one of the seals. Apply glue, cyanoacrylate or similar adhesive (by others) to both seal ends and follow instructions by the adhesive manufacturer. Almost immediately after adhesive is applied, insert the

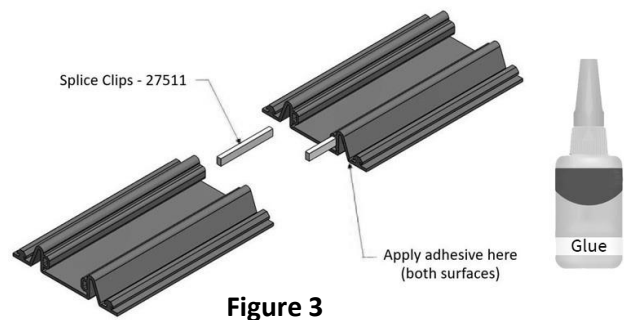


Figure 3

protruding ends of the splice clips into the ends of the two seals together, applying uniform pressure for at least two minutes while maintaining contact between both sides. The splice clip is not necessary, but is recommended, especially on larger sized seals. **See Figure 3**

Vertical Outside Splice

Insert splice clips (if required) (part # 28090) halfway into the alignment holes on one of the seals. Apply glue, cyanoacrylate or similar adhesive (by others) to both seal ends and follow instructions by the adhesive manufacturer. Almost immediately after adhesive is applied, insert the protruding ends of the splice clips into the ends of the two seals together, applying uniform pressure for at least two minutes while maintaining contact between both sides. The splice clip is not necessary, but is recommended, especially on larger sized seals. **See Figure 4**

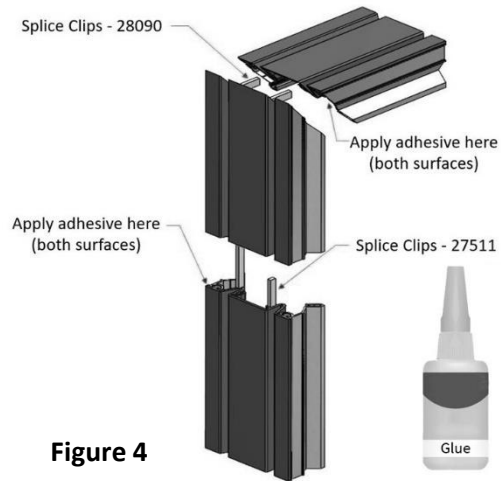


Figure 4

Vertical Inside Splice

Insert splice clips (if required) (part # 28090) halfway into the alignment holes on one of the seals. Apply glue, cyanoacrylate or similar adhesive (by others) to both seal ends and follow instructions by the adhesive manufacturer. Almost immediately after adhesive is applied, insert the protruding ends of the splice clips into the ends of the two seals together, applying uniform pressure for at least two minutes while maintaining contact between both sides. The splice clip is not necessary, but is recommended, especially on larger sized seals. **See Figure 5**

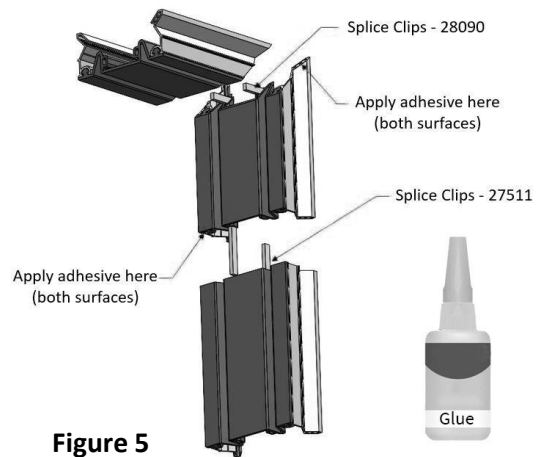


Figure 5

Horizontal Splice

Insert splice clips (if required) (part # 28091) halfway into the alignment holes on one of the seals. Apply glue, cyanoacrylate or similar adhesive (by others) to both seal ends and follow instructions by the adhesive manufacturer. Almost immediately after adhesive is applied, insert the protruding ends of the splice clips into the ends of the two seals together, applying

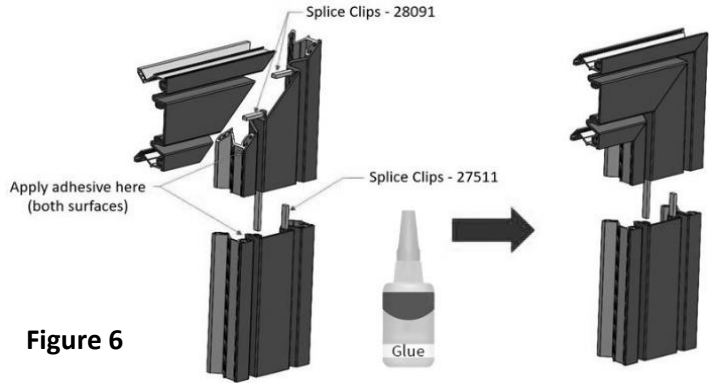


Figure 6

uniform pressure for at least two minutes while maintaining contact between both sides. The splice clip is not necessary, but is recommended, especially on larger sized seals. **See Figure 6**

3. Recheck the splices after the adhesive has cured and reapply adhesive as necessary. Allow 15 minutes prior to installation of seal. Allow 24 hours for adhesive to fully cure and achieve proper working strength. Ensure that the splice of the seal is not within 2" of a joint in the aluminum extrusion, if possible.

See Figure 7

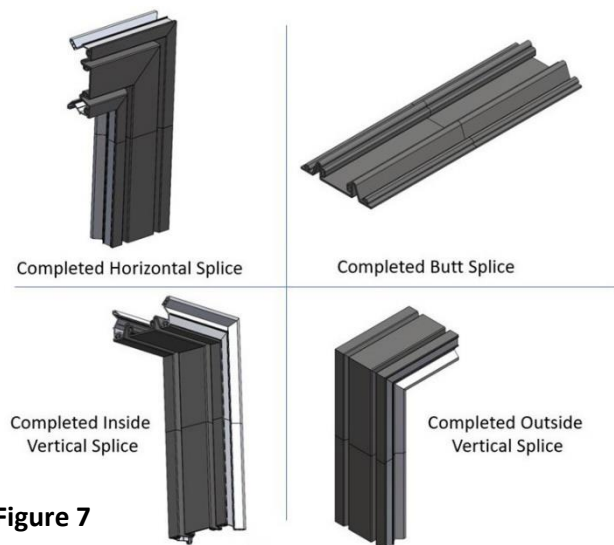


Figure 7

OPERATION

Expansion Joints are designed and built for years of dependable service.

MAINTENANCE

Annual inspections should be performed to make sure the system is still in position. Repair and/or replace as needed.

QUESTIONS?

For more information on installation, repair, or replacement, please contact Customer & Sales Support at 800-547-2635 or visit nystrom.com