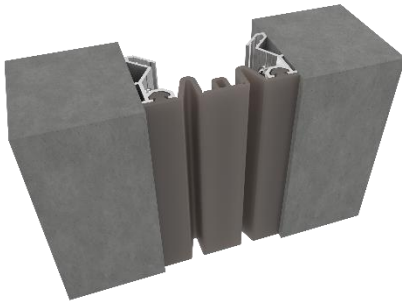


SEISMIC ELASTOMERIC WALL & CEILING SYSTEM - INTERIOR RECESSED APPLICATION

MODEL(S): LCH/LCHW

LCH Wall to Wall / Ceiling to Ceiling Cover System – 2” Through 6” Sizes



GENERAL DESCRIPTION

This Seismic Elastomeric Corridor System limits the sight line of the expansion joint by mounting inside the joint opening and allows a color selection to match your surrounding substrate and finish

GENERAL SAFETY PRECAUTIONS Improper selection, installation, or use can cause personal injury or property damage. It is solely the responsibility of the user, through their own analysis, to select products suitable to the specific application requirements, ensure proper maintenance and use as intended. Follow local, state, and federal regulations for proper installation and operation requirements.

material. This system accommodates seismic movement.

Introduction + Safety

Please read the complete instructions carefully before beginning any work. To ensure proper installation and performance of the product, the following actions must be completed by the installing contractor. Failure to do so will affect product warranty.

Transportation + Storage

- Inspect all shipments and materials for missing or damaged components and hardware.
- Material must be stored in a clean, dry location.

Preparation

- Locate the packing slip(s) and/or shop drawings.
- Verify that all products listed on the packing slip are included in the package.
- Check the products for damage. If products are damaged, report a freight claim immediately and leave the products in their packaging. If you sign for products without reporting damage, you waive your right to a freight claim and will be responsible for their replacement cost.

- Read the instructions thoroughly before beginning installation.

Tool List

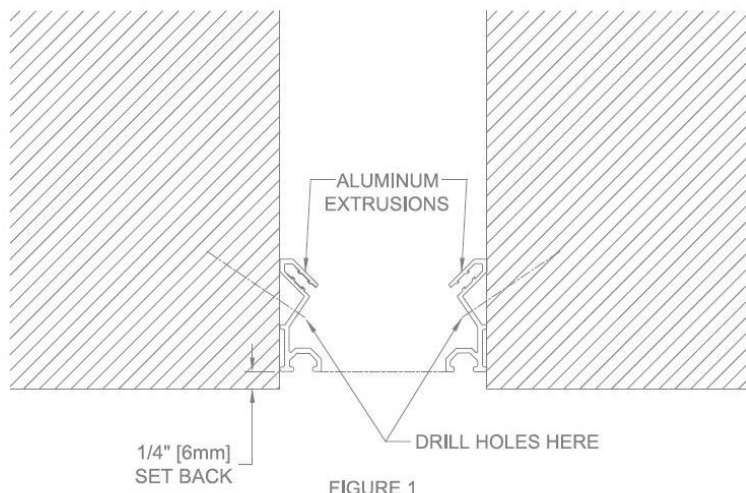
- Tape measure
- Chop saw to cut product to length
- Electric drill with 5/32" masonry bit (concrete wall) & 3/16" metal bit
- Utility knife
- Sealant
- Structural adhesive
- Wood blocking

Preinstallation

1. Ensure that the area where the expansion system is being installed is smooth and level.

INSTALLATION

1. Position aluminum extrusion in the expansion joint and mark hole locations at 18" OC. Drill Ø3/16" holes into the extrusions at the marked locations. **See Figure 1**



2. Attach the aluminum extrusions with an appropriate length drywall screw (by installer), making sure it penetrates the substrate. When attaching to a concrete wall, drill a hole into concrete using a $\text{Ø}5/32$ " masonry bit and attach using $\text{Ø}3/16$ " Tapcon anchors (by installer). **See Figure 2**

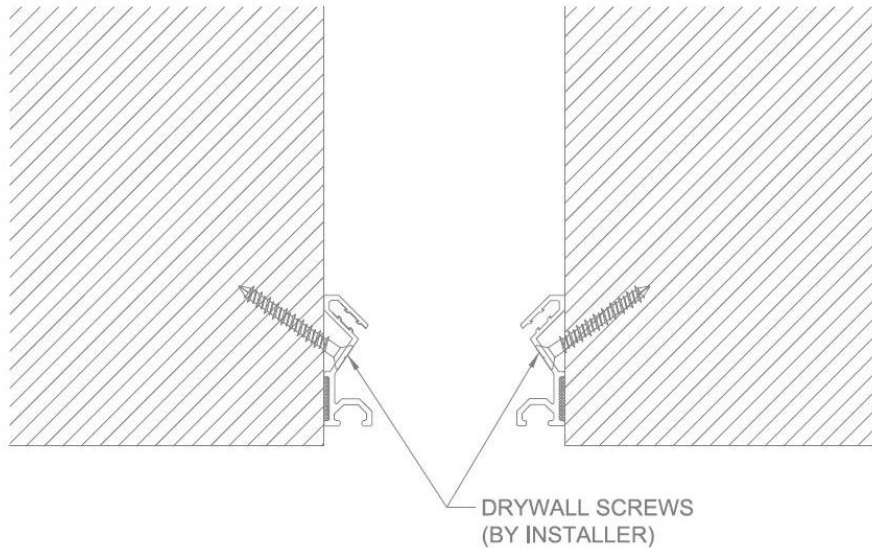


FIGURE 2

3. Place the elastomeric seal into position and push the seal bulbs into extrusion channels as shown. **See Figure 3**. Make sure the bulbs are seated all the way into the channel. Do not stretch the seal lengthwise during installation.

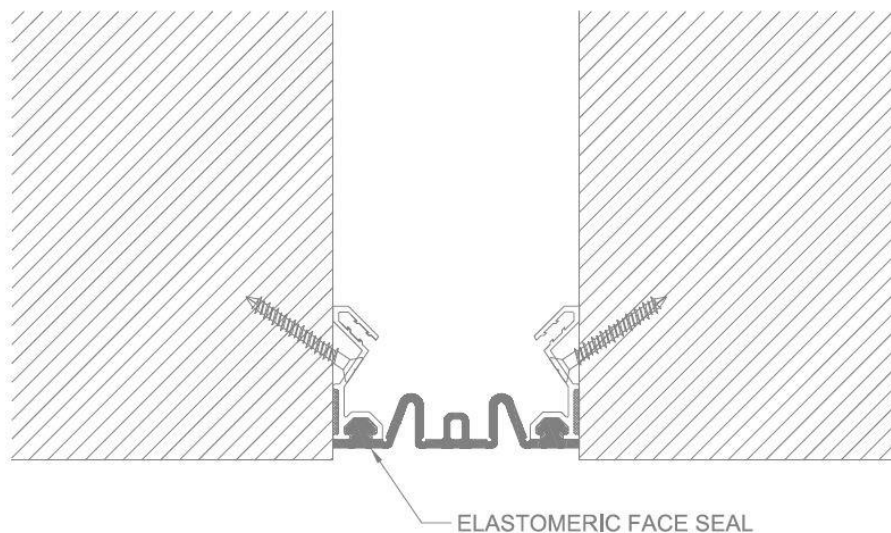
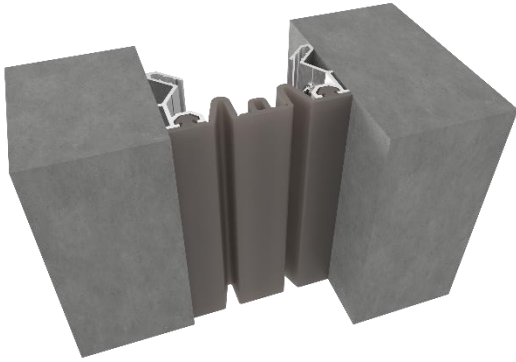


FIGURE 3

LCHw Wall to Corner System – 2” Through 4” Sizes



GENERAL DESCRIPTION

Nystrom LCHw Elastomeric Interior Wall System is designed to match the LCH system in corner applications.

Preinstallation

1. Ensure that the area where the expansion system is being installed is smooth and level.

INSTALLATION

1. Position one of the frames onto the wall of the expansion joint and mark hole locations at 18” OC. (Reference shop drawings for more details) Drill $\text{Ø}3/16$ ” holes into the extrusions at the marked locations. When attaching to a concrete wall, drill a hole into the concrete at these locations with a $\text{Ø}5/32$ ” masonry bit. **See Figure 1.**

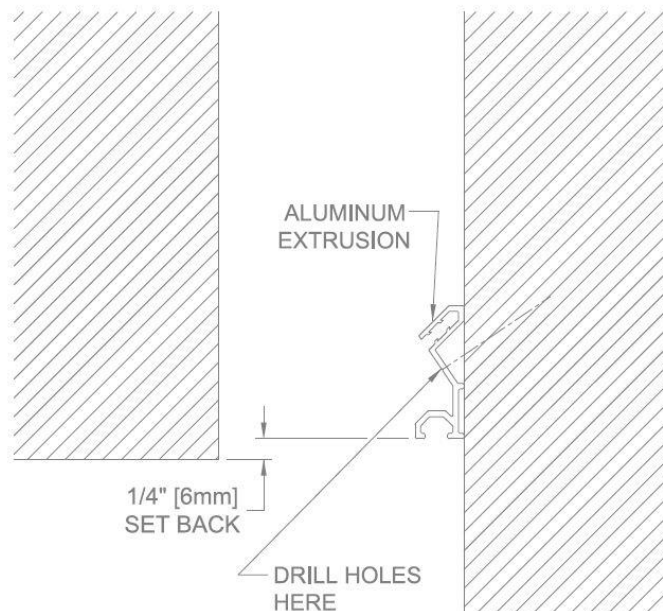


FIGURE 1

2. Attach the aluminum wall extrusions with an appropriate length drywall screw (by installer), making sure it penetrates the substrate. When attaching to a concrete wall, drill a hole into concrete using a $\text{Ø}5/32$ " masonry bit and attach using $\text{Ø}3/16$ " Tapcon anchors (by installer). **See Figure 2.**

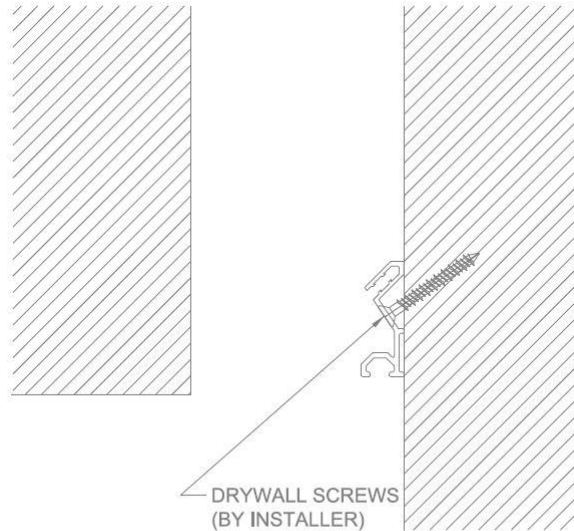


FIGURE 2

3. Apply structural adhesive (by installer) along the back side of the other extrusions prior to installation. (Follow adhesive manufacturer guidelines) Mount the extrusion to the inside surface as shown, making sure it lines up with the wall extrusion. (Also refer to shop drawings for more detail) **See Figure 3**

Helpful Hint: Install temporary wood blocking to secure extrusion to wall while adhesive cures.

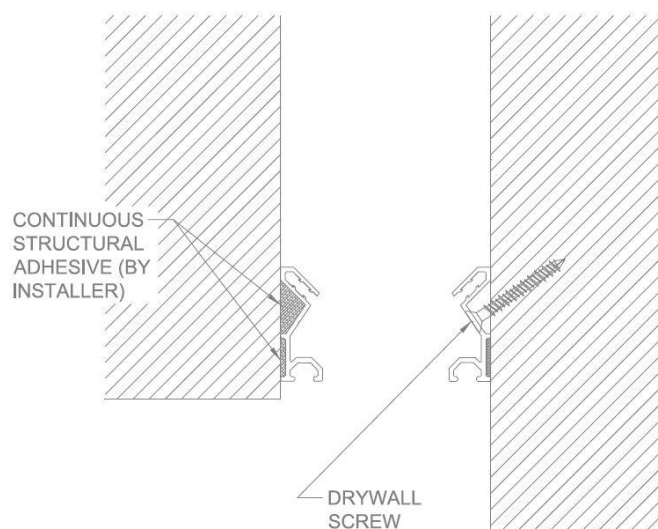


FIGURE 3

4. Place the elastomeric seal into position and push the seal bulbs into extrusion channels as shown. **See Figure 4.** Make sure the bulbs are seated all the way into the channel. Do not stretch the seal lengthwise during installation.

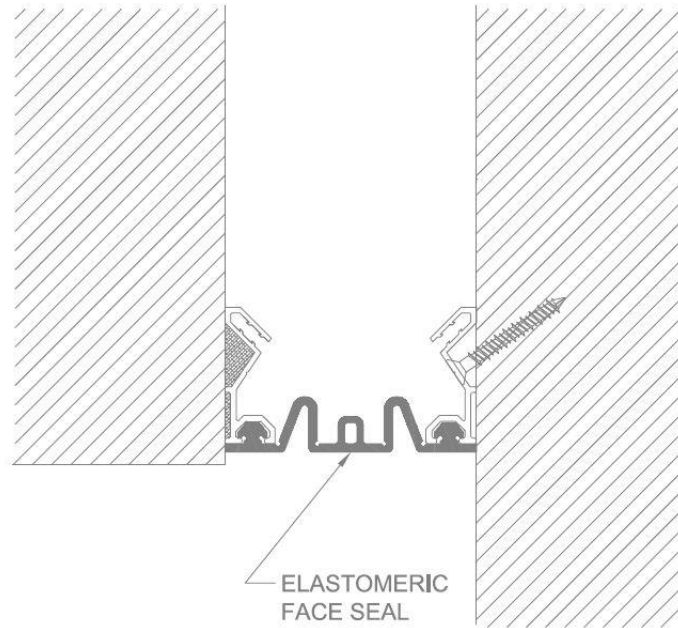


FIGURE 4

FIELD SPLICE FOR ELASTOMERIC V-SEAL

1. After determining the angle needed, use a miter box and a non-serrated saw (teeth removed) and cut ends of seal clean, straight and square. **See Figure 1**

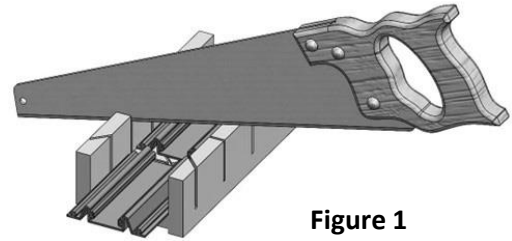


Figure 1

2. After donning the proper PPE, use a solvent (by others) that is safe for elastomeric materials and clean any residual material from the cut ends of the seals. Allow to dry prior to Step #3.

See Figure 2

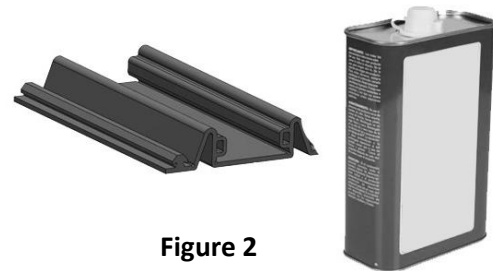


Figure 2

Straight Butt Splice

Insert splice clips (if required) (part # 27511) halfway into the alignment holes on one of the seals. Apply glue, cyanoacrylate or similar adhesive (by others) to both seal ends and follow instructions by the adhesive manufacturer. Almost immediately after adhesive is applied, insert the

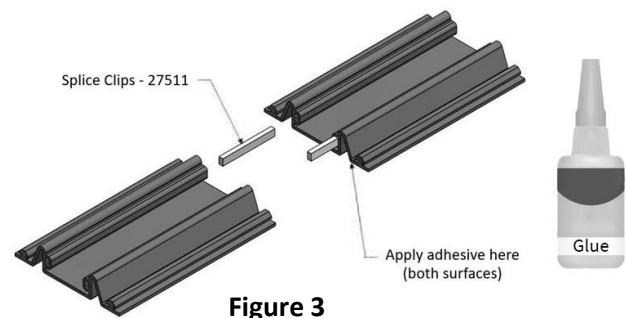


Figure 3

protruding ends of the splice clips into the ends of the two seals together, applying uniform pressure for at least two minutes while maintaining contact between both sides. The splice clip is not necessary, but is recommended, especially on larger sized seals. **See Figure 3**

Vertical Outside Splice

Insert splice clips (if required) (part # 28090) halfway into the alignment holes on one of the seals. Apply glue, cyanoacrylate or similar adhesive (by others) to both seal ends and follow instructions by the adhesive manufacturer. Almost immediately after adhesive is applied, insert the protruding ends of the splice clips into the ends of the two seals together, applying uniform pressure for at least two minutes while maintaining contact between both sides. The splice clip is not necessary, but is recommended, especially on larger sized seals. **See Figure 4**

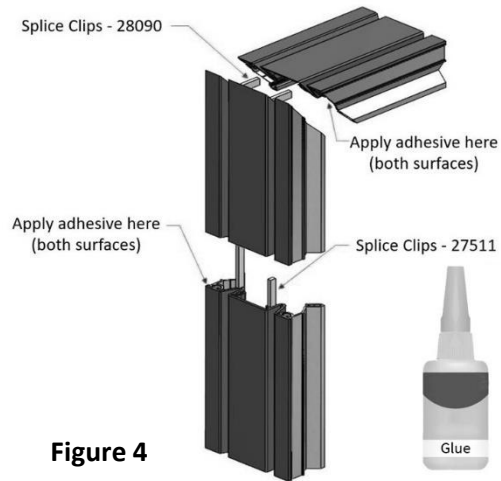


Figure 4

Vertical Inside Splice

Insert splice clips (if required) (part # 28090) halfway into the alignment holes on one of the seals. Apply glue, cyanoacrylate or similar adhesive (by others) to both seal ends and follow instructions by the adhesive manufacturer. Almost immediately after adhesive is applied, insert the protruding ends of the splice clips into the ends of the two seals together, applying uniform pressure for at least two minutes while maintaining contact between both sides. The splice clip is not necessary, but is recommended, especially on larger sized seals. **See Figure 5**

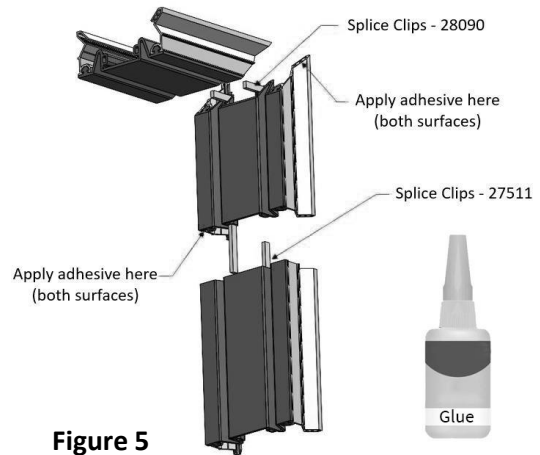


Figure 5

Horizontal Splice

Insert splice clips (if required) (part # 28091) halfway into the alignment holes on one of the seals. Apply glue, cyanoacrylate or similar adhesive (by others) to both seal's ends and follow instructions by the adhesive manufacturer. Almost immediately after adhesive is applied, insert the protruding ends of the splice clips into the ends of the two seals together, applying

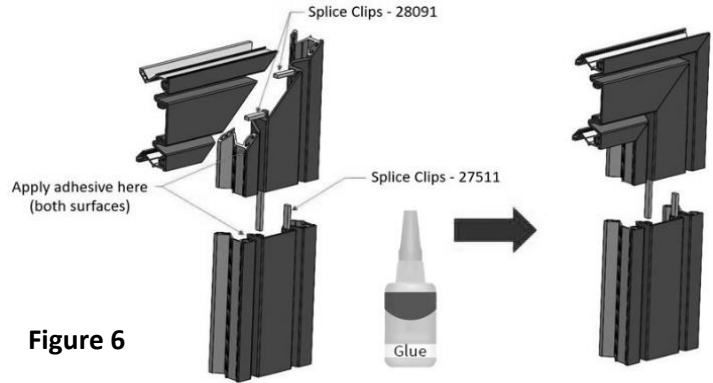


Figure 6

uniform pressure for at least two minutes while maintaining contact between both sides. The splice clip is not necessary, but is recommended, especially on larger sized seals. **See Figure 6**

3. Recheck the splices after the adhesive has cured and reapply adhesive as necessary. Allow 15 minutes prior to installation of seal. Allow 24 hours for adhesive to fully cure and achieve proper working strength. Ensure that the splice of the seal is not within 2" of a joint in the aluminum extrusion, if possible.

See Figure 7

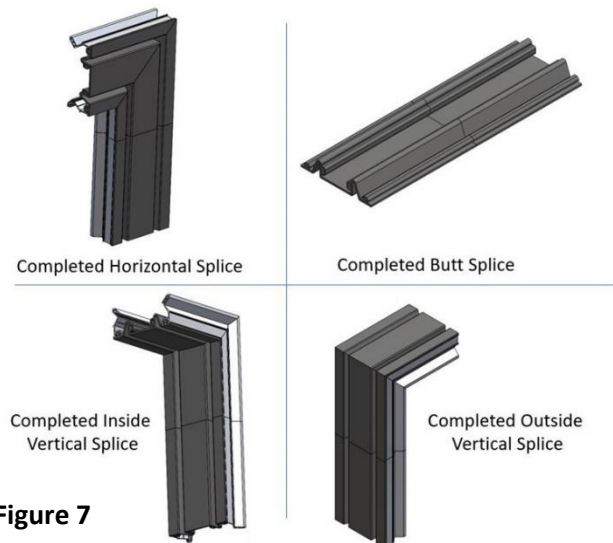


Figure 7

OPERATION

Expansion Joints are designed and built for years of dependable service.

MAINTENANCE

Annual inspections should be performed to make sure the system is still in position. Repair and/or replace as needed.

QUESTIONS?

For more information on installation, repair or replacement, please contact Customer & Sales Support at 800-547-2635 or visit nystrom.com