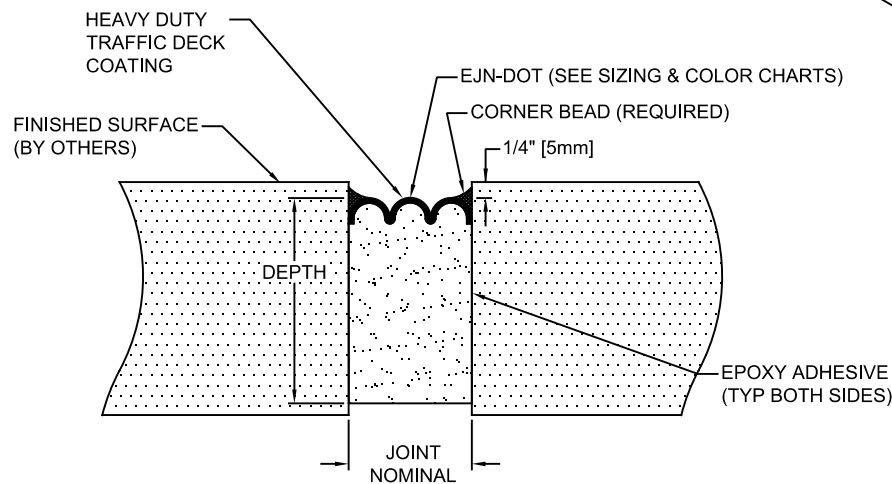
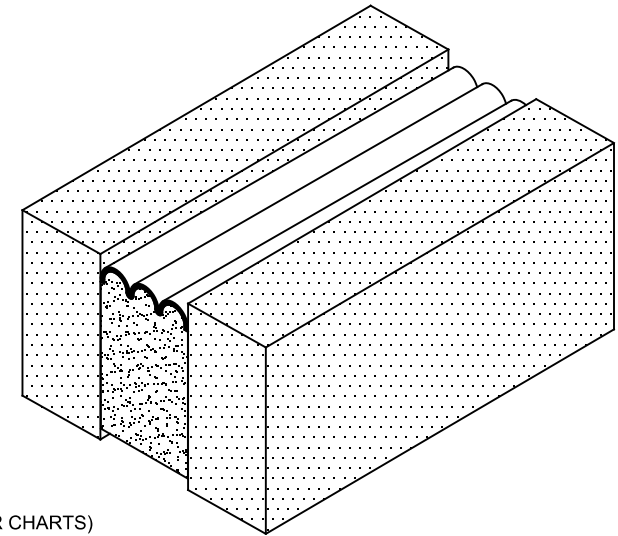


EJN-DOT SERIES		
MODEL	JOINT NOMINAL	DEPTH
EJN-DOT-050	1/2"	2"
EJN-DOT-063	5/8"	2"
EJN-DOT-075	3/4"	2"
EJN-DOT-100	1"	2"
EJN-DOT-200	2"	3"
EJN-DOT-300	3"	3"

NOTE:
1/4" SIZE INCREMENTS AVAILABLE,
CONTACT YOUR NYSTROM REP.




VIEW DIFFERS DEPENDING ON PRODUCT SIZE

EJN-DOT SERIES COLORS
Traffic Grade Black (Standard)
Highway Gray (Available)
Concrete Gray (Available)

TRAFFIC FOAM HORIZONTAL APPLICATION

- EXPOSED FINISH: (SEE COLOR CHART)
- MOVEMENT: +/- 50% NOMINAL JOINT WIDTH
- STOCK LENGTHS: 6.5 FT (2.0M) STICKS
- THIS PRODUCT IS SUPPLIED WITH EPOXY, FLEXIBLE SEAL, AND TRAFFIC GRADE SILICONE.

PROJECT:			
ARCHITECT:			
CONTRACTOR:			
QTY:			
PART#:		EJN-DOT	
 9300 73 rd Ave N., Minneapolis, MN 55428 800-547-2635 info@nystrom.com		TITLE: SEISMIC PRE-COMPRESSED HIGHWAY FOAM SYSTEM RECESSED APPLICATION	
NAME	DATE	SIZE	DWG. NO.
DRAWN JPK	01/03/24	A	EJN-DOT
RELEASED		WEIGHT:	SHEET 1 OF 1