


Dimension Chart *						
Model	Joint Opening			Total Movement	Installation Range	
	Min	Nominal	Max		Min	Max
EJN-EES-200	3/4"(20mm)	2" (51mm)	3 1/4"(83mm)	2 1/2"(64mm)	1"(25mm)	2 3/4"(69mm)

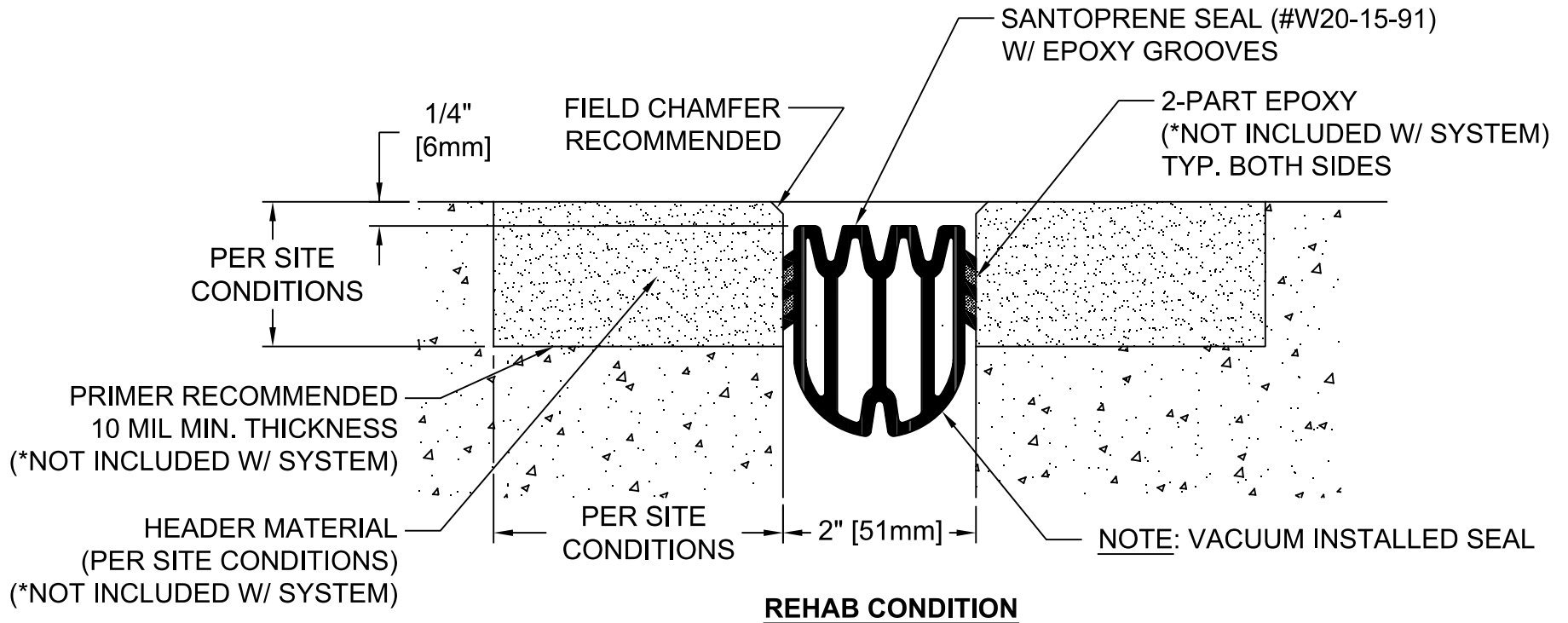
* Chart based on nominal joint opening at 70°F.

SEISMIC SEAL SYSTEM RECESSED EPOXY BONDED APPLICATION

EXPOSED FINISH: BLACK

STOCK LENGTHS: CONTINUOUS BETWEEN COLUMNS/DRAINS

PROJECT:			
ARCHITECT:			
CONTRACTOR:			
QTY:			
PART#:		EJN-EES-200	
 9300 73rd Ave N., Minneapolis, MN 554428 800-547-2635 info@nystrom.com		TITLE: SEISMIC SEAL SYSTEM RECESSED EPOXY BONDED APPLICATION - NEW CONSTRUCTION -	
NAME	DATE	SIZE	DWG. NO.
DRAWN JPK	08/01/23	A	EJN-EES-200
RELEASED		WEIGHT:	SHEET 1 OF 2



Dimension Chart *

Model	Joint Opening			Total Movement	Installation Range	
	Min	Nominal	Max		Min	Max
EJN-EES-200	3/4"(20mm)	2" (51mm)	3 1/4"(83mm)	2 1/2"(64mm)	1"(25mm)	2 3/4"(69mm)

* Chart based on nominal joint opening at 70°F.

SEISMIC SEAL SYSTEM RECESSED EPOXY BONDED APPLICATION
 EXPOSED FINISH: BLACK
 STOCK LENGTHS: CONTINUOUS BETWEEN COLUMNS/DRAINS

PROJECT:			
ARCHITECT:			
CONTRACTOR:			
QTY:			
PART#:		EJN-EES-200	
 9300 73rd Ave N., Minneapolis, MN 554428 800-547-2635 info@nystrom.com		TITLE:	
		SEISMIC SEAL SYSTEM RECESSED EPOXY BONDED APPLICATION - REHAB CONDITION -	
NAME	DATE	SIZE	DWG. NO.
DRAWN JPK	08/01/23	A	EJN-EES-200
RELEASED		WEIGHT:	SHEET 2 OF 2